

DoD 4100.39-M
VOLUME 16

**FEDERAL
LOGISTICS
INFORMATION
SYSTEM**



**FLIS PROCEDURES MANUAL
LOGISTICS ON-LINE
ACCESS (LOLA)
JANUARY 2004**

CHAPTER 1 GENERAL

16.1.1 General

This section of the Logistics On-line Access (LOLA) Manual provides general information pertinent to the preparation of this document. Additionally, it provides a high-level summary of the benefits and major functions.

16.1.2 Purpose

The objective of this volume is to provide the information necessary for a functional end-user to effectively use the LOLA Application. The LOLA Application, a component of the Federal Logistics Information System (FLIS), DLAH 00-90-C-0004, is designed to provide DLIS customers with easy access to the computer system, user-friendly screens to retrieve and update data during work sessions, and the ability to access other FLIS applications as needed.

16.1.3 Organization of the LOLA EM

The organization of information presented in this Manual conforms to the guidelines stated in DoD-STD-7935A, DOD Automated Information Systems (AIS) Documentation Standards. The information includes a non-technical presentation of the overall LOLA Application inclusive of its anticipated performance, its environment, and contingency modes of operation. Attention has been given to Sections 3, 4, 5, 6, 7, 8, 9, and 10 of this manual to include all information required for an end-user to learn the application so that the end-users will have a ready reference manual for future use.

16.1.4 Purpose of the System

LOLA provides the user with the capability to obtain information concerning items of supply contained in the logistics database. The system allows the user to locate items having both approved and non-approved item names by entering a variety of criteria, to include characteristics. In addition, LOLA provides the user with the means to obtain descriptions, definitions, and effective dated change information for item names, Federal Supply Groups (FSGs), and Federal Supply Classes (FSCs).

a. LOLA is divided into seven subsystems:

- (1) Item of Supply Inquiry Subsystem
- (2) Characteristics Search Subsystem
- (3) FSG/FSC Item Name Search Subsystem
- (4) CAGE Inquiry Subsystem

- (5) AMMO Code Inquiry Subsystem
- (6) Catalog Tools Inquiry System
- (7) LOLA Statistics Subsystem

b. Processing inquiries or searches for items of supply is performed incrementally, with each step designed to help the user narrow the search so that the output yielded is as precise as possible. Ideally, the final result will be one item of supply that meets the user's needs. If more than one item satisfies the criteria, however, all may be output. In the latter case, except for inquiries by complete Part Number (PN) and CAGE Code, or any inquiry/search that yields a single item of supply, printed output or data stored for downloading to a personal computer (PC) are limited to 9600 characters.

c. Processing of updates for NIIN Assignment or changes is performed incrementally, with each step designed to assist the user in submitting an on-line update as easily as possible. Access to all needed Tables and help will be readily available.

d. In LOLA, the user may directly interface between subsystems. In this respect, the user can have items of supply identified in the Characteristics Search Subsystem carried over to the Inquiry Subsystem for output. In addition, INCs selected in the FSG/FSC Item Name Search Subsystem can be transferred to the Characteristics Search Subsystem for processing. This design increases productivity and makes the system as 'user friendly' as possible.

16.1.5 References

This paragraph identifies FLIS reference documents used to create this volume.

- a. DLIS Modernized System Functional Description, Revision 2, 04 March 1991, GDS.
- b. LOLA Functional Description, Revision 2, 03 April 1991, GDS.
- c. LOLA Functional Description, July 1989, DLSC.
- d. DLIS System/Subsystem Specification, Sections 1-3 and 4A, Revision 7, 12 June 1991, GDS.
- e. LOLA System/Subsystem Specification for On-Line Update 21 May 1991.
- f. Logistics On-Line Access (LOLA) System/Subsystem Specification Volume II, 26 February 1993.

16.1.6 Terms and Abbreviations

A glossary of terms and abbreviations is provided in [Appendix A](#) of this document. The terms and abbreviations used in this manual include acronyms, unavoidable technical terms, and words unique to the FLIS environment. It does not include definitions for screen field labels as they are defined within the instructional information provided in Sections 3, 4, 5, 6, 7, 8, 9 and 10 of this manual.

16.1.7 Security

Restrictions that apply to the use of the LOLA Application are explained in Section 3, paragraph [16.3.4](#), Access Control. These restrictions are applied to safeguard sensitive data stored in the Federal Logistics Information System (FLIS). Users who are provided with access to the LOLA Application should be aware of penalties which may be levied for making unauthorized copies of sensitive material.

CHAPTER 2 SYSTEM SUMMARY

16.2.1 System Summary

This section provides a non-technical presentation of information on the overall system. Detailed technical information, i.e., how to use the Logistics On-Line Access (LOLA) Application, is presented in other sections of this manual.

16.2.2 Overview

The LOLA Application is a major component of an automated customer service system provided by the Defense Logistics Information Service (DLIS). LOLA was designed, developed, and implemented as part of an overall modernization effort at DLIS which was undertaken to address end-user considerations. These considerations include reliability, transparency where possible, seamless integration, quick response, single user interface, interoperability, connectivity, availability and growth. The LOLA Application accomplishes these tasks by providing timely responsiveness for customers, increasing reliability and performance, increasing responsiveness to change, and reducing dependence on hardcopy. FLIS is a centralized, large-scale, fully-integrated, mainframe system. As a part of this system, LOLA provides the on-line software designed to permit easy access to volumes of information stored in DLIS's databases. LOLA provides end-users with user-friendly, help responsive, interactive screens from which data is requested and then displayed.

16.2.3 Application Summary

The LOLA Application provides inquiry capabilities: Inquiry for Item of Supply, Characteristics Search, FSG/FSC Item Name Search, Freight, CAGE, AMMO Code and MOE Rule Data. This application supports on-line access to the Federal Logistics Information System (FLIS). LOLA interfaces with another FLIS Application called Characteristics Data Management (CDM). This interface, while transparent to the end-user, provides the characteristics decode feature to LOLA that allows end-users to view clear text data on their screens. The LOLA Application, also, provides on-line update capabilities. This application supports those customers having the need to submit update transactions via an on-line media. It interfaces with the Tables system. This interface is transparent to the user, but does provide access to the tables for verification of entries.

a. Inquiry. The Inquiry for Item of Supply allows end-users to request information concerning a specific item of supply.

(1) When employing the Inquiry function, the end-user has the following access options available:

- (a) By National Item Identification Number (NIIN)
- (b) Part Number (PN)

- (c) Partial Part Number (PPN)
- (d) Item Name Code (INC)
- (e) Item Name
- (f) Commercial and Government Entity (CAGE) Code
- (g) CAGE Name
- (h) Any valid Inquiry combination (See below)

Valid Inquiry Combinations

	<u>NIIN</u>	<u>Part Number</u>	<u>Partial PN</u>	<u>INC</u>	<u>Item Name</u>	<u>CAGE Code</u>	<u>CAGE Name</u>
NIIN	X						
Part Number				X	X	X	X
Partial PN				X	X	X	X
INC			X	X		X	X
Item Name		X	X			X	
CAGE Code		X	X	X		X	
CAGE Name		X	X	X		X	

(2) A list of items is generated matching the criteria entered by the end-user. The end-user then chooses the desired items and the output format for the data. Output data may be in the form of pre-formatted data views or tailored output consisting of a combination of data elements from various data groups. Depending on authorization, output may be displayed to screen, printed as a report, or formatted for downloading to a PC.

(3) To conduct a CAGE Code search, the end-user enters a CAGE Code. Processing is performed similar to an Item Name/Keyword search, except the resulting list of National Stock Numbers (NSNs), item names and part numbers is based on CAGE Code.

b. Characteristics Search. This subsystem allows the user to locate items of supply by searching for their characteristics. To initiate a characteristics search, the user must first enter an INC or Item Name.

(1) Entering an INC initiates the search for items of supply having an approved item name that is assigned an Item Name Code equal to the one entered.

(2) Entering an Item Name allows the search to be conducted for items of supply having an approved or non-approved name. In this case, the system automatically transfers to the FSG/FSC Item Name Subsystem. There, the system generates a list of names similar to the name entered; the user may then select an INC for an approved item name or a specific non-approved item. At this point, there is an automated return to the Characteristics Search subsystem to complete the user requested search. (NOTE: If a non-approved item

name is selected, the system assigns a unique identifier called a 'pseudo INC' for processing purposes. The value of the pseudo INC is transparent to the user.)

Based upon the specific approved or non-approved item name designated by the user as the initial criteria, the system progresses through a series of steps in which the user adds desired characteristics to the search criteria. The system then outputs the items of supply that match the criteria.

The default output media is the CRT (screen). The user may change the output media prior to output being generated. The standard media options are CRT (screen) or printer; some users may also be authorized to download data to a PC. The output may be provided in the standard format established for the Characteristics Search Subsystem or the user may cause the output to be displayed as selected on the Select Inquiry Output Options Screen in the Inquiry Subsystem.

c. FSG/FSC Item Name Search. This is a multi-purpose subsystem that allows the user to:

- (1) Start a search for items of supply based on an item name, keyword, INC, FIIG, FSG, or FSC.
- (2) Obtain INC definitions, FSG titles, FSG notes, and FSC descriptions.
- (3) Identify the INCs that are included in a particular FIIG or FSC.
- (4) Identify the FSC's in which a particular INC is included.
- (5) Obtain effective dated change data for INCs, FSCs and FSGs.

If the user initiated a search by entering an item name, keyword, INC, FIIG, FSG, or FSC the system will generate a list of approved and/or non-approved Item Names based on the criteria entered. The user may select one specific name from the list and transfer to the Characteristics Search Subsystem. The system uses the INC of an approved item name or assigns a unique identifier to a non-approved item name as the basis for the characteristics search. (NOTE: The unique identifier assigned to a non-approved item name is called a "pseudo INC". The value of the pseudo INC is transparent to the user and is used by the system for processing purposes only.)

The FSG/FSC Item Name Search subsystem displays the results of searches on the CRT. However, if the user elects to perform a characteristics search using a specific approved INC or nonapproved Item Name identifier, the output capabilities provided by the Characteristics Search Subsystem will be available.

d. CAGE Code Inquiry. This subsystem allows users to search by the following criteria:

- (1) CAGE Code
- (2) Company Name
- (3) Street Name - full or partial
- (4) Zip Code

- (5) Phone Number
- (6) Contractor Establishment Code (CEC)
- (7) DUNS Number
- (8) Congressional District
- (9) Standard Industrial Classification (SIC) Code
- (10) Tax ID
- (11) Replacement CAGE
- (12) Associated CAGE
- (13) Debarment Code

e. AMMO Code Inquiry. This subsystem allows users to search by the AMMO Code. If a valid AMMO Code is entered, the output will be forwarded via the normal mode/media.

f. Catalog Tools Inquiry. This subsystem allows the users to search by the following criteria:

(1) CATTOOLS CAGE CODE INQUIRY: Searches are allowed by CAGE Code, Company Name, Street Name, Zip Code, Phone Number, Contractor Establishment Code (CEC), DUNS Number, Congressional District, Standard Industrial Classification (SIC) Code, Tax ID, Replacement CAGE, Associated CAGE and Debarment Code.

(2) CATTOOLS MOE RULE DATA INQUIRY: Searches are allowed by the following criteria:

(a) MOE Rule Number - A search to yield the data associated with the MOE Rule entered. If more than one MOE Rule and Effective Date exists, a list of the MOE Rules by Date is displayed and the user may then choose one to view.

(b) Effective Date - May also be used along with the MOE Rule to narrow down the search criteria.

(3) CATTOOLS FREIGHT DATA INQUIRY: Searches are allowed by the following criteria:

(a) A complete Freight Code can be entered displaying the data or a UFC code alone could be entered displaying a Pick List that the user may then choose from to view.

(b) A month and year may be entered to receive freight statistical data.

(4) CATTOOLS MGMT/FSC DATA INQUIRY: Searches are allowed by the following criteria:

(a) Enter the FSC and receive a pick list to choose from. The user can tag one or more items to view.

(b) Enter the date the FSC was established and receive a pick list to choose from.

(c) Enter the effective date of the FSC and receive a pick list to choose from.

(d) Enter the date the FSC was changed and receive a pick list to choose from.

(5) CATTOOLS AMMO CODE DATA INQUIRY: The user will enter an AMMO code and receive back data on an item.

g. LOLA Statistics. This subsystem allows the user to query for LOLA Statistics in the following manner:

(1) COUNTS BY TYPE OF QUERY: The user is allowed to query by Julian Date alone or in conjunction with Department, Activity, Quarter and Type. The following responses are received: Characteristics Search, FSG/FSC Item Name, Ammo Code, MOE Rule and Freight. Within the Statistics Counts by Type of Query, the Item of Supply Inquiry counts are received: NIIN, Part Number Inquiry (PN-INQ), CAGE Code, CAGE Name, INC, Item Name, CAGE Code Part Number, Partial Part Number, CAGE Code/Partial Part Number and Combination. CAGE Inquiry Counts received are: CAGE Code, Company Name, Zip Code, Phone Number, Contractor Establishment Code (CEC), DUNS, ADP/CAO, Congressional District, Standard Industrial Classification (SIC) Code, SIC Zip, SIC phone, Tax ID, Replacement CAGE, Associated CAGE, Company Street, Company Zip, Company Phone, Street Zip, Street Phone and Debarment Code. Total Inquiries is also displayed.

(2) COUNTS BY INQUIRY DATA TYPE: The user is allowed to query by Julian Date alone or in conjunction with Department or Activity. The following responses are received: Basic Reference, CAGE/Supplier, ID, Reference Number, Freight, Coded Characteristics, Decode Characteristics, MOE Coded, MOE Decode, Interchangeability and Substitutability (I&S), Standardization, Management Phrase, Requisition, Packaging, Selected Elements and Total transactions.

(3) LOLA UPDATE STATISTICS: The user is allowed to query by entering date and activity code and/or department and one of any other field. A NIIN can also be submitted with date alone. The statistics for fields User-ID through NIIN can only be pulled for 90 (ninety) days.

16.2.4 Performance

System responses to the end-user will be governed by two factors. These factors are divided into two categories: processing time and network time.

a. Processing time is the amount of time required by the computer to perform the request. For simple transactions, such as simple inquiries and updates, the minimum processing time is two seconds with no transaction taking more five seconds. For complex transactions, the minimum processing time is five seconds with no transaction exceeding eight seconds. For transactions requiring large output or numerous screens, the maximum time is five minutes.

b. Network time is the length of time required to send the user's request to the DLIS system and return the results. This time will vary depending on the type of physical connection with the DLIS system.

End-users who experience delays longer than this should contact the DLIS Customer Service Office, 1-888-352-9333.

16.2.5 Controls

Numerous controls have been built into FLIS. These controls safeguard system information to ensure that only authorized users can access data. Each of the controls, which are listed below, are explained fully for the user in other sections of this manual.

- a. User-IDs and Passwords
- b. Screen access and useability
- c. Terminal restrictions

16.2.6 System Environment

LOLA resides on an AMDAHL Mainframe and runs under MVS/ESA, CICS, and DB2.

The software units that comprise the LOLA Application have been created using the COBOL generator called Application Productivity software (APS). APS has been used to build the screens and provide the processing capabilities the end-user employs.

This environment supports multiple remote access terminals around the world.

a. Hardware Required. The hardware required by LOLA end-users makes-up a workstation. The work stations may be local or remote and are composed of the following units:

(1) a terminal or a micro computer (connected to the central computer at DISA Megacenter in Columbus, Ohio.

(2) a keyboard

(3) a printer (the printer may be shared with other workstations and as such be placed in a central location)

b. Software Required. The software used by LOLA is installed and maintained by DISA Megacenter in Columbus, Ohio. Kermit is needed at the PC level for downloading data.

16.2.7 Contingencies and Alternate Modes of Operation

Contingency protocol in the event of a system failure/slow down (LOGRUN) is as follows:

- a. Special Extracts
- b. CD-ROM Products
- c. Hardcopy Products
- d. Electronic Data Transfer
- e. Tape

16.2.8 Assistance and Problem Reporting

DLIS provides end-users with assistance in the following ways:

- a. Updates to the end-users manuals
- b. Service number to call
- c. Integrated On-line Help
- d. On-line end-users manuals problems should be reported to the DLIS Customer Service Office, 1-888-352-9333.

CHAPTER 3 ACCESS TO THE SYSTEM

16.3.1 Signing onto LOLA

This section describes the step-by-step procedures to be used to access the Logistics On-Line Access (LOLA) Application.

16.3.2 First-Time Use of the System

The following paragraphs provide two types of information for the first-time end-user: Authorized System Use and System Conventions. Authorized System Use presents the information needed for the first-time end-user to get a user-ID and a password. System conventions present information about using the LOLA menus, using the help feature, error messages, and using function (F) keys.

a. Access to FLIS is controlled through the use of User-IDs and Passwords.

(1) A User-ID is a code entered during a process called System Sign-on. It is used to tell the System who is using it. Valid User-IDs are assigned by the DLIS Customer Management Branch. As a first time user you must fill out a registration form located on the DLIS home page (www.dlis.dla.mil) in the Forms and Publications section. The completed form is faxed or mailed to the number/address on the top of the form.

(a) If at any time you forget your user-ID or have reason to believe it has been passed to an unauthorized user, you must contact DLIS immediately.

(b) If you do not use your user-ID for a period of 90 days, it will become revoked and you must contact DLIS. If you have a problem signing-on to the System (entering your user-ID), contact DLIS.

(2) Each user is assigned a generic password for initial sign-on, after which the end-user will have the opportunity to select their own unique password. The password is a code used to confirm your user-ID and access authorization. Your password will not print on the screen when it is entered, this is a precaution provided by the system to ensure the confidentiality of your password. Initial passwords are assigned by DLIS.

(a) The password should be treated as confidential information and is not to be shared with co-workers, or you may lose your access.

(b) Should you get an error when entering your password during sign-on, re-type it carefully. You will be given three attempts to enter it correctly. If all three attempts are incorrect, the system locks out the user. They must contact DLIS to investigate the security violation.

(3) User-IDs and Passwords are keyed-in from the FLIS System LOGON Screen.

```
**** TND MFLP COL ***** TND MFLP ***** TND MFLP COL ****
*           DLSC LOGISTICS REMOTE USERS NETWORK (LOGRUN)           *
*           Caution you're at the Columbus Host                     *
* WARNING: Use of this or any other Dept. of Defense Interest      *
* Computer System (DODICS) constitutes an express consent to      *
* monitoring at all times. This DODICS and all related equipment   *
* are to be used for the communication, transmission, processing   *
* and storage of official U.S. Government or other authorized     *
* information only. All DODICS are subject to monitoring at all    *
* times. If monitoring of any DODICS reveals possible violation    *
* of criminal statutes, all relevant information may be provided   *
* to law enforcement officials.                                     *
**** TND MFLP COL ***** TND MFLP ***** TND MFLP COL ****
```

Identify yourself by entering your USERID and PASSWORD

```
***** TND MFLP COL *****
*** To exit from this screen and the network, type DROP on ***
*** Command line and press ENTER or Press PA2 ***
***** COL MFLP TND ***** COL MFLP TND *****
```

Command: _____

TSO USERS - CHECK ACCOUNTING INFO IN YOUR JOB CARDS

Id:XXXXXXXX Password:

Time: 07:14:58

Lu: VFLST113 New Password:

Date: 10/03/00

NOTE: Remote users will have to make connection with DLIS in Battle Creek, Michigan prior to accessing the FLIS LOGON Screen. Ask DLIS's customer service office for the instructions used from your facility to accomplish this.

b. System conventions are the characteristics of the System which remain consistent from one application to another and from one screen and report to another. The use of conventions employed for the development of FLIS include standard screen formats, uniform function key use and availability of the System Help Features.

(1) There are three types of screens the end-user will work with when using LOLA: Menu Screens, Work Screens, and Help Screens. All of these screens have a common layout. See Below.

SCRNCD: XXXXXX	CHARACTERISTICS DATA MANAGEMENT	DATE: XXXXXXXX
USERID: XXXXXXXX	SCREEN HEADING	TIME: XXXXX

FIELD PROMPTS FOR MENU SELECTIONS

DATA ENTRY OR OUTPUT DISPLAYS

INFORMATIONAL AND ERROR MESSAGE LINE

F1=HELP	F2=CLEAR SCR	F3=PREV MENU	F4=MAIN MENU	F5=	F6=
F7=	F8=	F9=	F10=	F11=	F12=

(a) The top two lines include the current Screen ID (SCRNCD), the system date and time, and the screen heading.

(b) The bottom four lines are divided into two lines for messages and two lines for function (F) keys.

(2) Menu Screens provide a list of options from which the user makes a selection. The options which will be displayed on a menu are controlled by the level of authorization rights assigned to an end-user with their User Id and Password.

(a) Menu options are selected by positioning the cursor next to an option and pressing the ENTER key.

(b) The System will then display a secondary menu or the work screen associated with the menu selection.

(3) Work Screens, available for Inquiry only, are data entry or data display screens used to provide information to the end-user in various predefined formats. Field prompts provided on the LOLA work screens identify the type of information to be entered or displayed. Section 4, Processing Reference Guide, of this document states the specific values and methods to be used while entering data, viewing displays, and ending a session.

(4) End-users may bypass the menu selection process by employing the Expert Mode feature provided by FLIS. This feature is available for all FLIS Applications and allows users to key-in the Program Identifier (up to six letters) of the screen needed into the SCRNCNCD field (top left corner of the screen) and then pressing the ENTER key.

NOTE: Expert mode can not be used in LOLA Update.

This process may be used whenever the end-user wants to use a direct access approach in going from one input screen to another within the LOLA Application. The end-user must have authorization to access the process requested or else the security system will deny access.

c. The Help Function provided by the FLIS Screens allows end-users to access on-line help assistance from the LOLA Application screen. Help is available for screen information and for individual fields on the screens. Users request help by positioning the cursor in the field they need help with and then pressing the F1 key.

(1) Screen Help will be displayed when the cursor is placed on the screen ID field and F1 (Help) is pressed. Screen Explanation, Field Entry Requirements and Available Function Keys will be displayed on the screen.

(2) The top half of a field help screen contains field descriptions and/or a definition of the data element displayed.

(3) The bottom half of a field help screen lists decoded field value information, if relevant. If a value was entered in a field when the user requested help, the decoded information for that value will be displayed. If the value was incorrect or invalid, an error message will be displayed. If the field was left blank when help was requested, a list of possible values and their decode information will be displayed.

If the help screens are longer than one page, the user may press F7 (Page Up) and F8 (Page Down) to view the remaining text. To exit the help screen and return to the displayed screen, press F3 (Exit).

d. Error and informational messages are displayed on the bottom of the screen above the function keys to assist end-users in performing tasks on the system.

(1) Informational messages notify the user of the status of current system operations, i.e., "Incomplete Data" and "File not found." See [Appendix B](#) for a complete list of informational messages.

(2) When the program detects an input error, the field(s) will be highlighted and the cursor will be positioned in the first field with an error. Examples of error messages are "Access not valid" and "Invalid code." See [Appendix B](#) for a complete list of error messages.

e. Function keys (F keys) are tools used in a system to support end-user activities. Each Application in FLIS uses the same function key definitions to provide the end-user with the same results whether the end-user is using LOLA, CDM, or any of the other available applications. The definition of the F keys are:

F1	=	Help
F2	=	Clear Screen
F3	=	Previous Menu or Exit
F4	=	Transfer to LOGRUN Main Menu
F5	=	Application Use
F6	=	Application Use
F7	=	Application Use
F8	=	Application Use
F9	=	Application Use
F10	=	Application Use
F11	=	Application Use
F12	=	Application Use
PF24	=	'Sticky Cursor' (only available when using field level help)

By pressing the function keys, the user can invoke a specific action, thus use time effectively.

16.3.3 Equipment Familiarization

The workstations at each location may have different monitors, keyboards, and printers. End-users should contact their telecommunications expert to learn how to use and care for the equipment to be used when using FLIS.

16.3.4 Access Control

This paragraph describes system access procedures, as well as the security considerations pertaining to the storage and output of data. Prior to initiating a session on FLIS, the user must obtain authorization to use the system.

a. Authorization may be obtained by contacting the DLIS Customer Management Branch to receive a valid user-ID and password.

Once assigned, the user-ID is entered into a Group Profile. The Group Profile is a security feature that controls which menus can be displayed and what capabilities will be provided for each user, such as adding, changing, and deleting data information appropriate to their work. Special accesses and clearances are also defined according to the following standards:

(1) A user is able to access data for items of supply only as authorized by the security access the user is assigned. Access restrictions are:

(a) Data for NIINs that are not for U.S. items of supply are proprietary protected.

(NOTE: The first two numbers of NIINs for U.S. items of supply are always 00 or 01.) In addition, the characteristics of some items of supply are also proprietary protected and can be viewed only by users authorized proprietary access.

(b) Data for FSG 11 (including FSC's in FSG 11), INC 97991, and CAGE Codes 57991, 67991, 77991, or 87991 are restricted to users having NOCO access authority.

(c) Data for CAGE Codes 02227, 11874, 15492, 28865, and 98230 are restricted to users having CRYPTO access authorization.

(d) Items of supply with a Limited Distribution Code of O and S are restricted to users authorized to view classified data.

(2) All LOLA users may output data to the CRT, and if available, a printer.

b. After obtaining a user-ID and password, FLIS may be accessed. The type(s) of processing the user can do with the system is determined by the personal level of authorization.

c. The user can route output in three ways:

(1) Screen

(2) Printer

(3) Overnight Processing (available to authorized users only)

16.3.5 Platform

The FLIS platform is on the AMDAHL mainframe and resides at the DISA Megacenter in Columbus, Ohio. Initial set-up and configuration will be required from the communication area before use.

16.3.6 Initiating a Session

This paragraph includes step-by-step procedures for initiating a session, as well as troubleshooting procedures.

a. FLIS LOGON Screen. The first accessible screen is the LOGON Screen. The cursor will appear next to the Command field. Press (TAB), enter your seven letter identification User-ID code, and press (TAB) again. Type in your personalized Password. The Password will not appear on the screen. It is confidential and should not be shared with co-workers. Press Enter after keying-in your Password.

b. LOGRUN Selection Menu Screen. After entering an authorized Password, the LOGRUN Selection Menu Screen will appear. Only those applications you have access to will appear on the Selection Menu. Select the application required, (i.e. LOGRUN/LOLA) by tabbing to the selection and hitting enter, by typing the appropriate number (i.e. 3) for the selection on the command line and hitting ENTER or by hitting the associated function key.

c. Action/Result Steps. The following steps will guide the user through the LOGON process.

ACTION

RESULT

Press Tab;

If correct, the “LOGRUN SELECTION MENU” will be displayed.

Enter personal User-ID
Press Tab;
Enter Password
Press enter

If incorrect, the cursor will return to the Password field and a reject message will be displayed.

A maximum of three attempts is allowed. After which, the user will be locked out of the system. They will then need to contact DLIS.

Select LOLA Application

The Logistics On-Line Remote Network Main Menu will be displayed.

16.3.7 Troubleshooting

If you encounter difficulties while attempting to access FLIS, the following table may offer some assistance in solving these difficulties.

<u>Problem</u>	<u>Possible Cause</u>	<u>Solution</u>
1.Blank Screen	No Power Monitor Contrast	Check Power Source Adjust Contrast
2.Cannot Access System	Communication Incorrect ID/Password Password Password Expired Non-Approved Authorization	Check Terminal Cables Re-key ID/Password Call DLIS for Assistance Call DLIS for Assistance Call DLIS for Assistance

16.3.8 Stopping and Suspending Work

While working in the system, it may be necessary to temporarily or permanently stop a work session. If this becomes necessary, follow the steps listed below.

a. Stopping a session. To end a session, press F4 (Main Menu) to the LOGRUN Main Menu, F3 to return to the LOGISTICS ONLINE REMOTE USERS NETWORK MAIN MENU, and F3 to quit and return to the Columbus MFLP TND screen. The session will be ended and the user will need to sign-on again for access.

b. Suspending a session. To temporarily end a session, press F3 (Previous Menu) until you return to the Logistics On-Line Remote Network Main Menu.

c. Automatic stopping of a session. If a terminal is not used for fifteen minutes, the user will be automatically signed off the terminal.

CHAPTER 4

INQUIRY SUBSYSTEM PROCESSING REFERENCE GUIDE

16.4.1 Processing Reference Guide

This section provides the end-user with the how-to-use technical information necessary to use LOLA Inquiry programs.

a. Capabilities. The LOLA Inquiry programs allow end-users to request specific types of information and then view the responding information on-line. For a detailed flow of this process, see Figures 4.1-1 through 4.1-8c.

The end-user may make requests for information by entering a National Item Identification Number (NIIN) or by entering a single piece of information or selected combination of information:

- (1) Part Number (PN) by entering a complete or partial PN.
- (2) Item Name Code (INC) by entering a specific INC value.
- (3) CAGE code by entering a specific Commercial and Government Entity (CAGE) code value.
- (4) Multiple NIIN by pressing F6 and entering Multiple NIINS from 1 to 24.
- (5) Associated CAGE Code by entering a specific Commercial and Government Entity Code value.
- (6) Company Name by entering a Keyword value or specific company name value.
- (7) Replacement Code by entering a specific value for a replacement CAGE Code.
- (8) Debarment Code by entering a specific value (i.e. D=Debarred: P=Proposed; S=Suspended) for this field.

The end-user may also use a keyword search inquiry by entering either a descriptive Item Name or a CAGE Name. When the keyword search is used, a list of INCs or CAGE codes that match the criteria entered by the user is displayed. The user may then choose a specific item for review as well as the format of the data that will be output. Output data may appear as follows:

- (1) Screen
- (2) Printer
- (3) Overnight Processing (authorization necessary)

b. Conventions. Conventions used for the Federal Logistics Information System (FLIS) are described in Chapter [16.3.2.b](#) of this manual. Conventions used within the LOLA Application include pre-formatted data views and screen entry requirements. These are explained (with instructions) in paragraphs 16.4.2 through 16.4.10 of the LOLA Inquiry Processing Procedures and screen illustrations in [Appendix A](#).

c. Processing procedures for LOLA Inquiry are provided in paragraphs 16.4.2 through 16.4.10. These procedures provide step-by-step instructions for performing each of the LOLA Inquiry tasks.

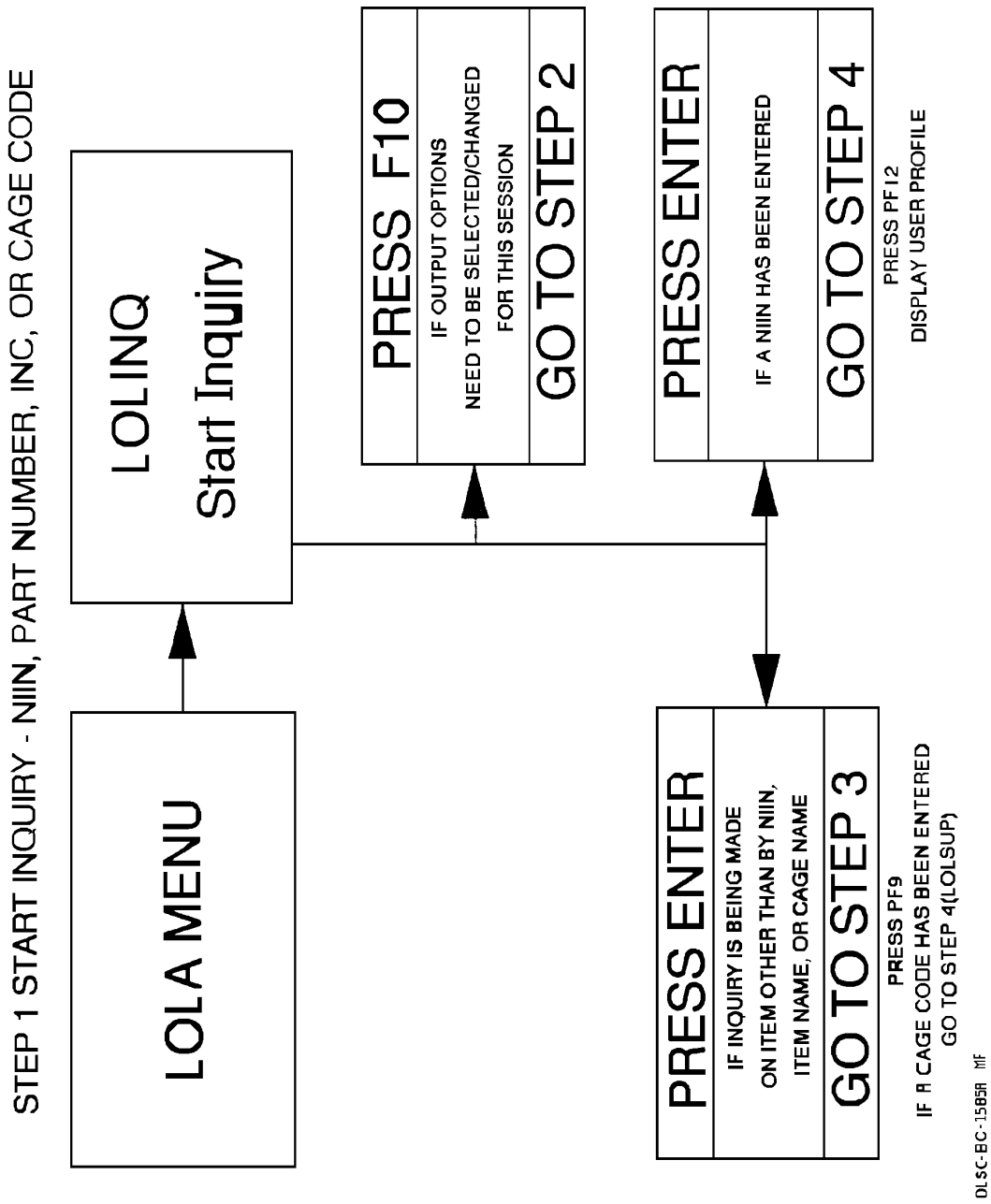


Figure 4.1-01 Inquiry Processing Steps

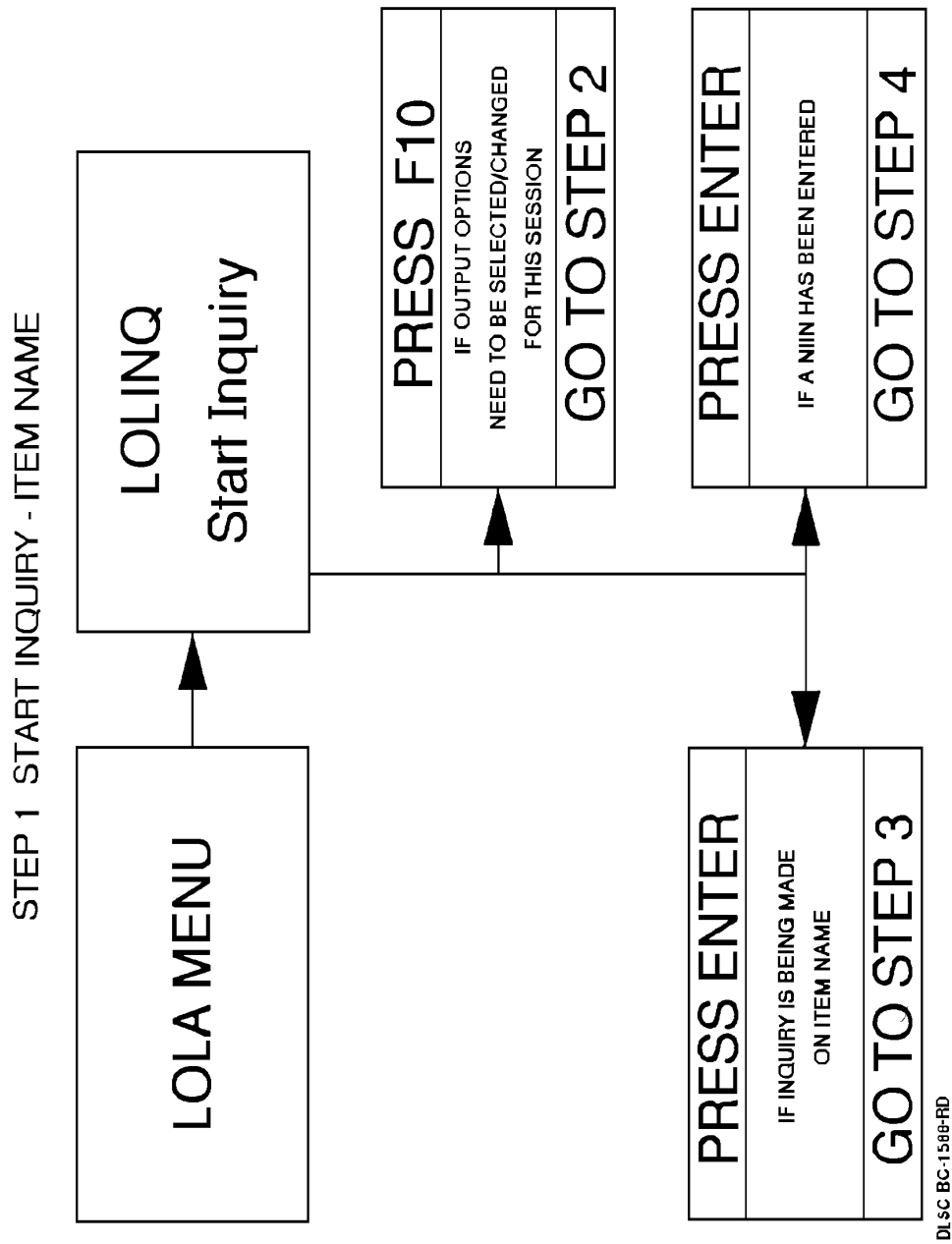


Figure 4.1-02 Inquiry Processing Steps

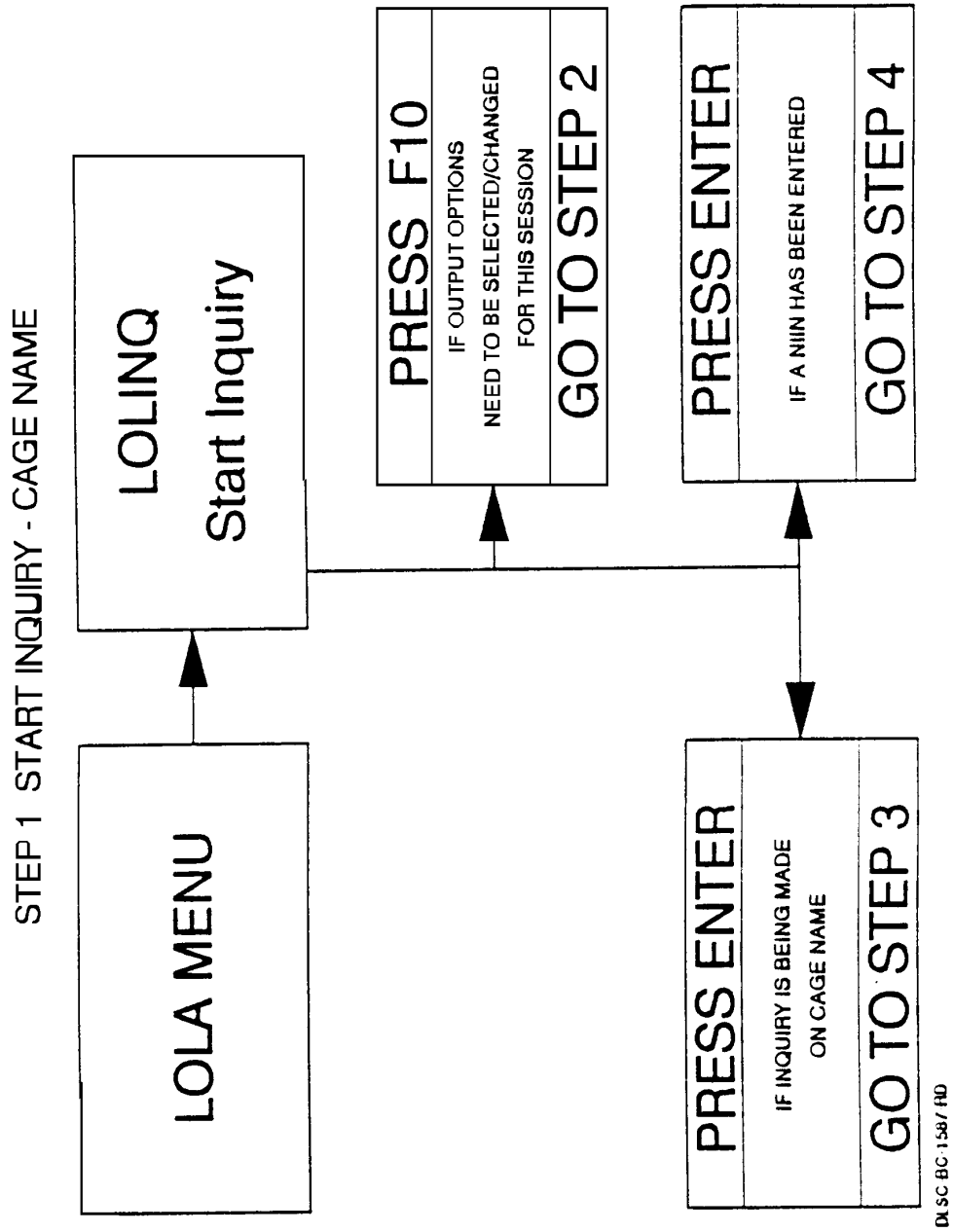
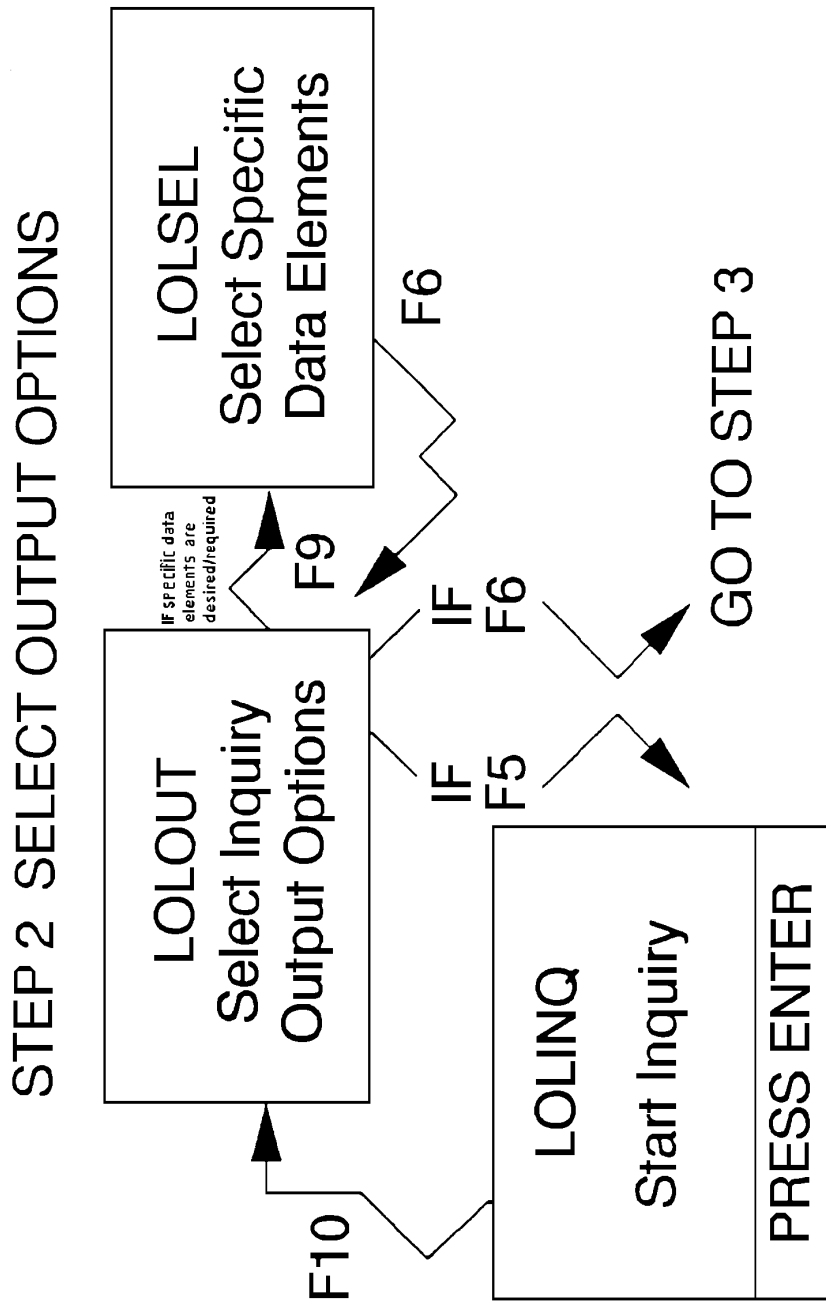


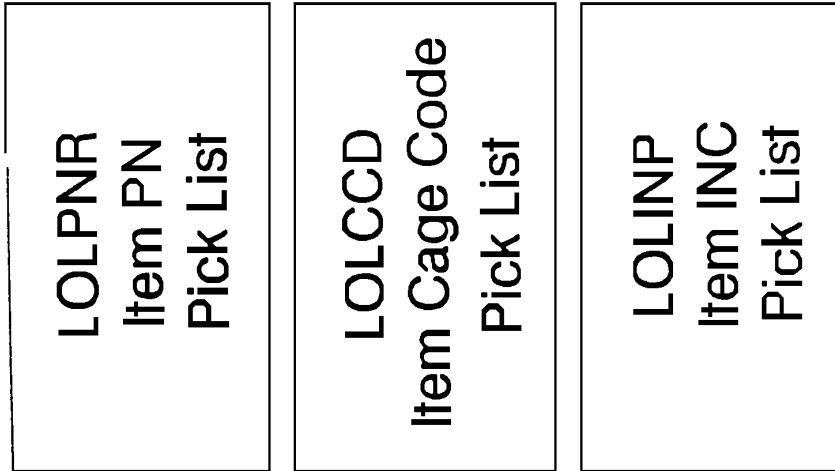
Figure 4.1-03 Inquiry Processing Steps



DI SC BC 1588 RD

Figure 4.1-04 Inquiry Processing Steps

**STEP 3 PICK LIST SELECTIONS - NIN, INC,
PART NUMBER, OR CAGE CODE**

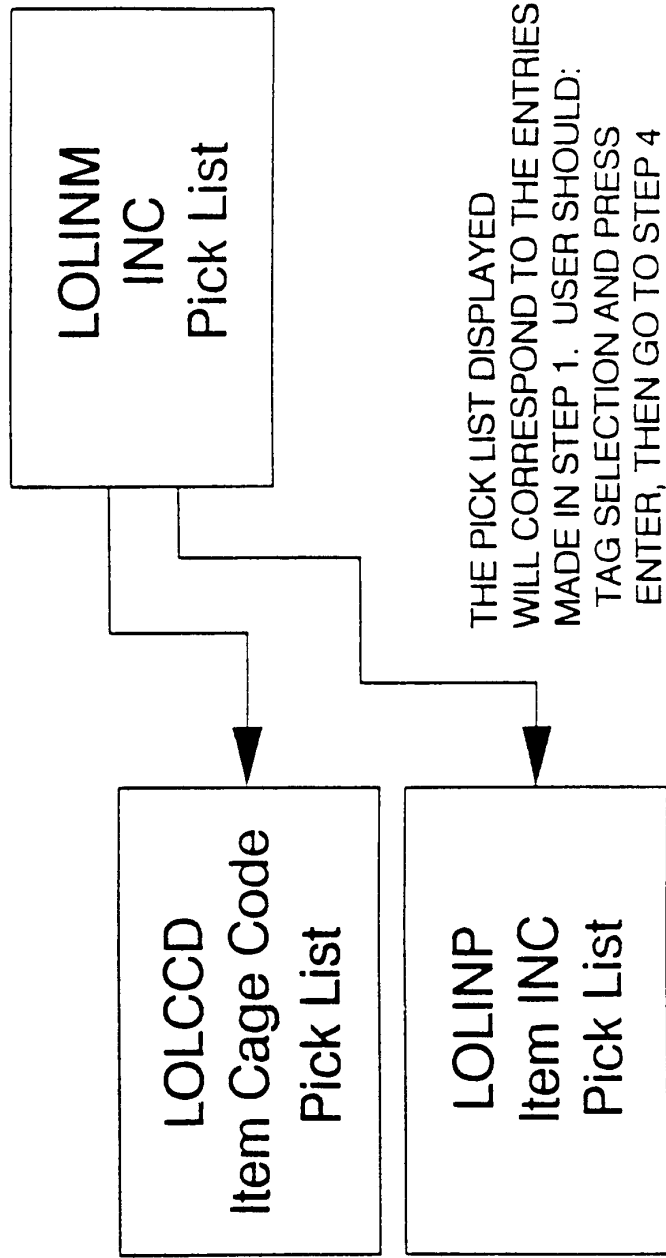


THE PICK LIST DISPLAYED
WILL CORRESPOND TO THE ENTRIES
MADE IN STEP 1. USER SHOULD:
TAG SELECTION AND PRESS
ENTER, THEN GO TO STEP 4

DLSC-BC-1509A-MF

Figure 4.1-05 Inquiry Processing Steps

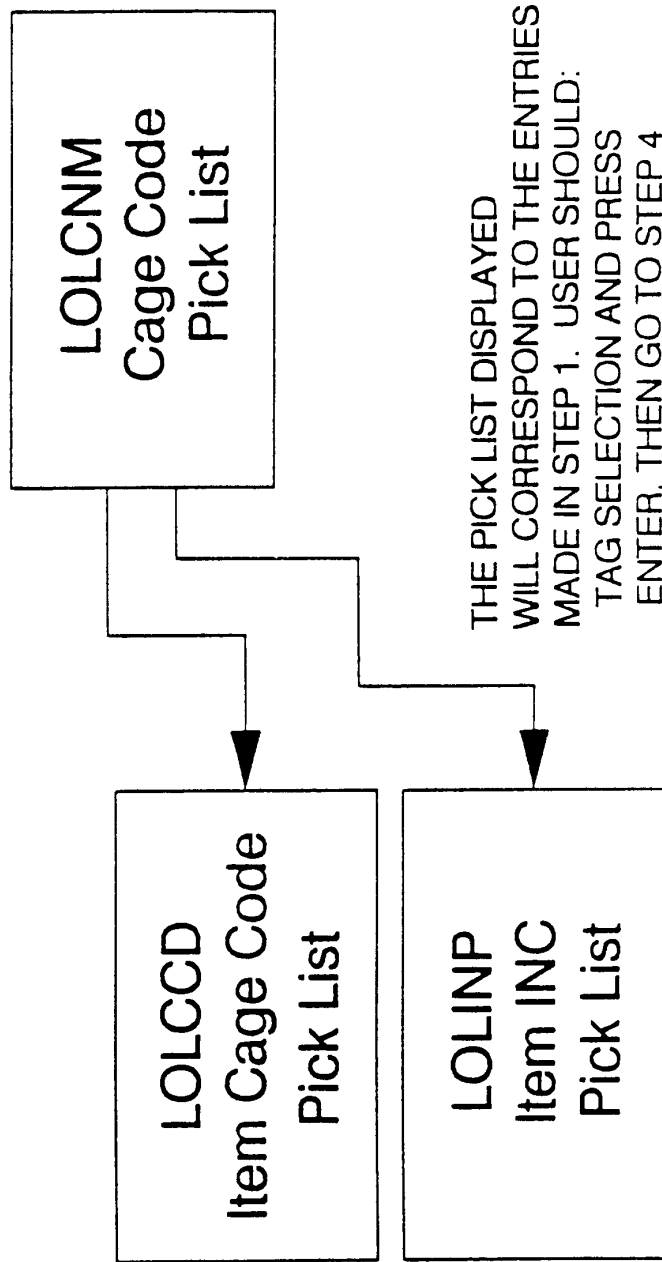
STEP 3 PICK LIST SELECTIONS - ITEM NAME



DLSC IIC 1590A MF

Figure 4.1-06 Inquiry Processing Steps

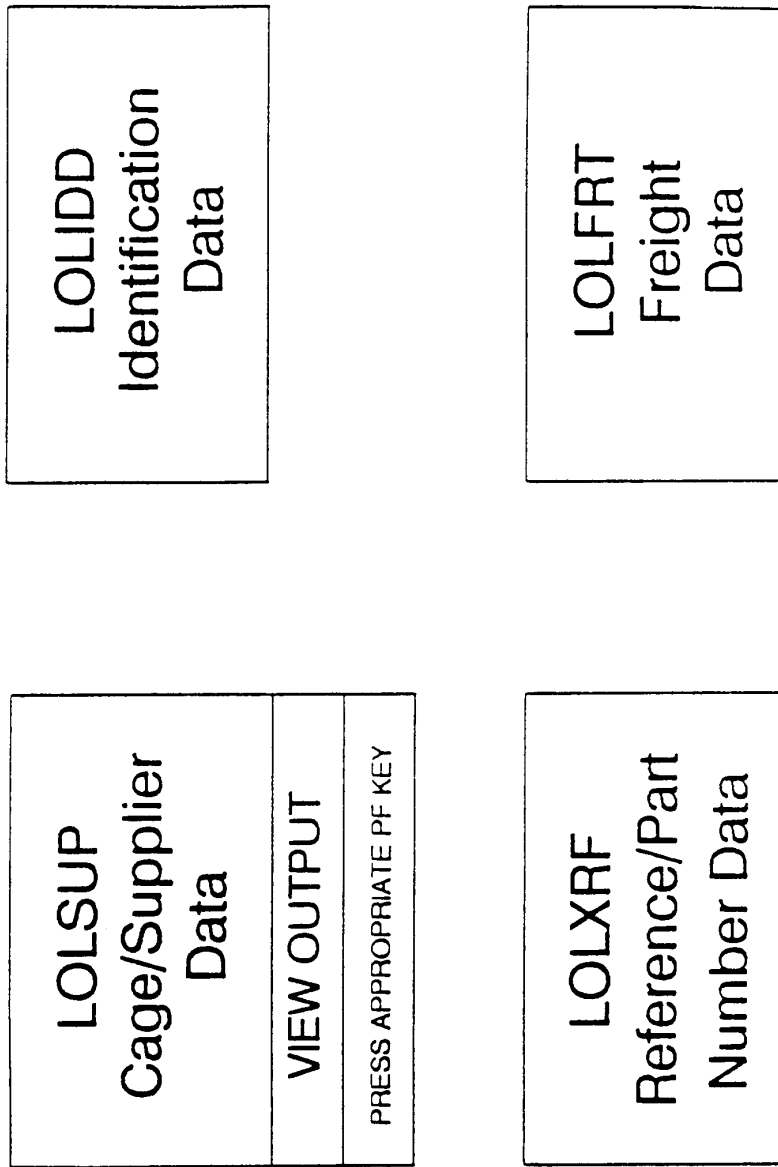
STEP 3 PICK LIST SELECTIONS - CAGE NAME



DASC BC 1591A MF

Figure 4.1-07 Inquiry Processing Steps

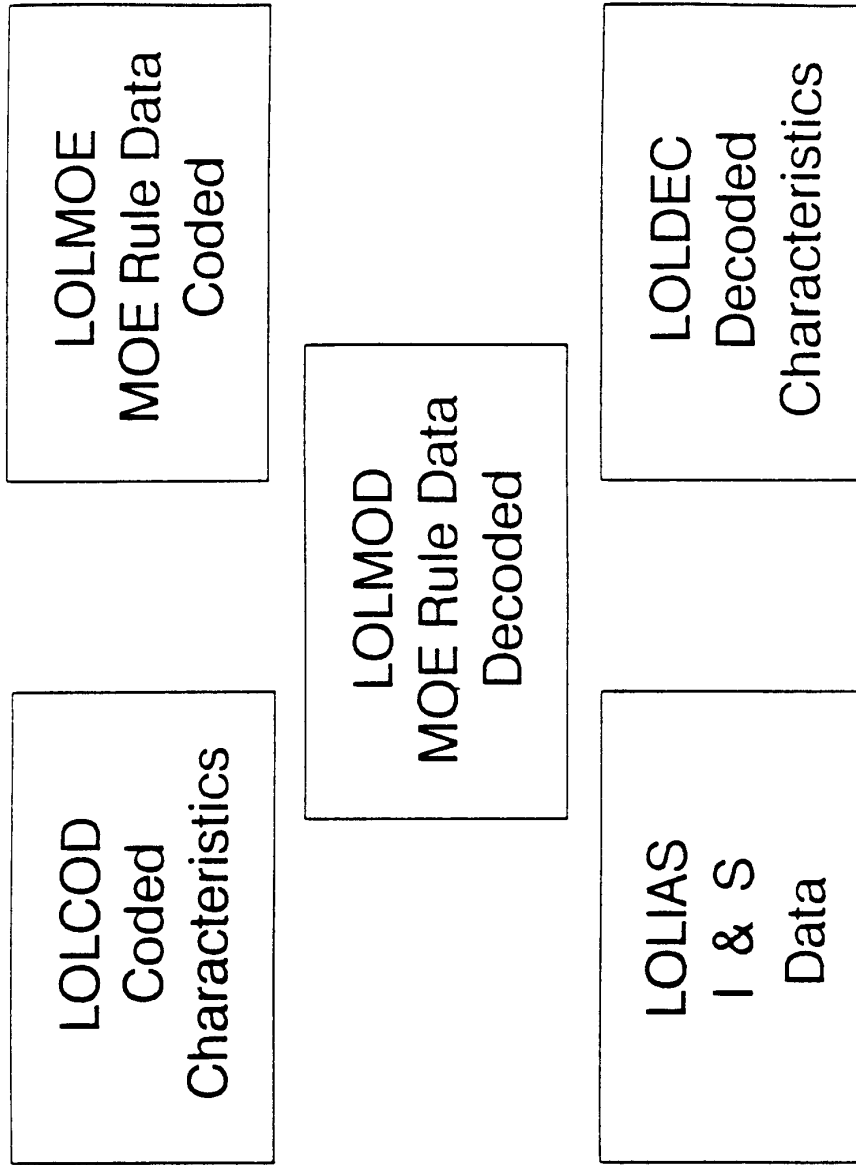
STEP 4 VIEW AND DIRECT OUTPUT



DA SC BC 1 502 HD

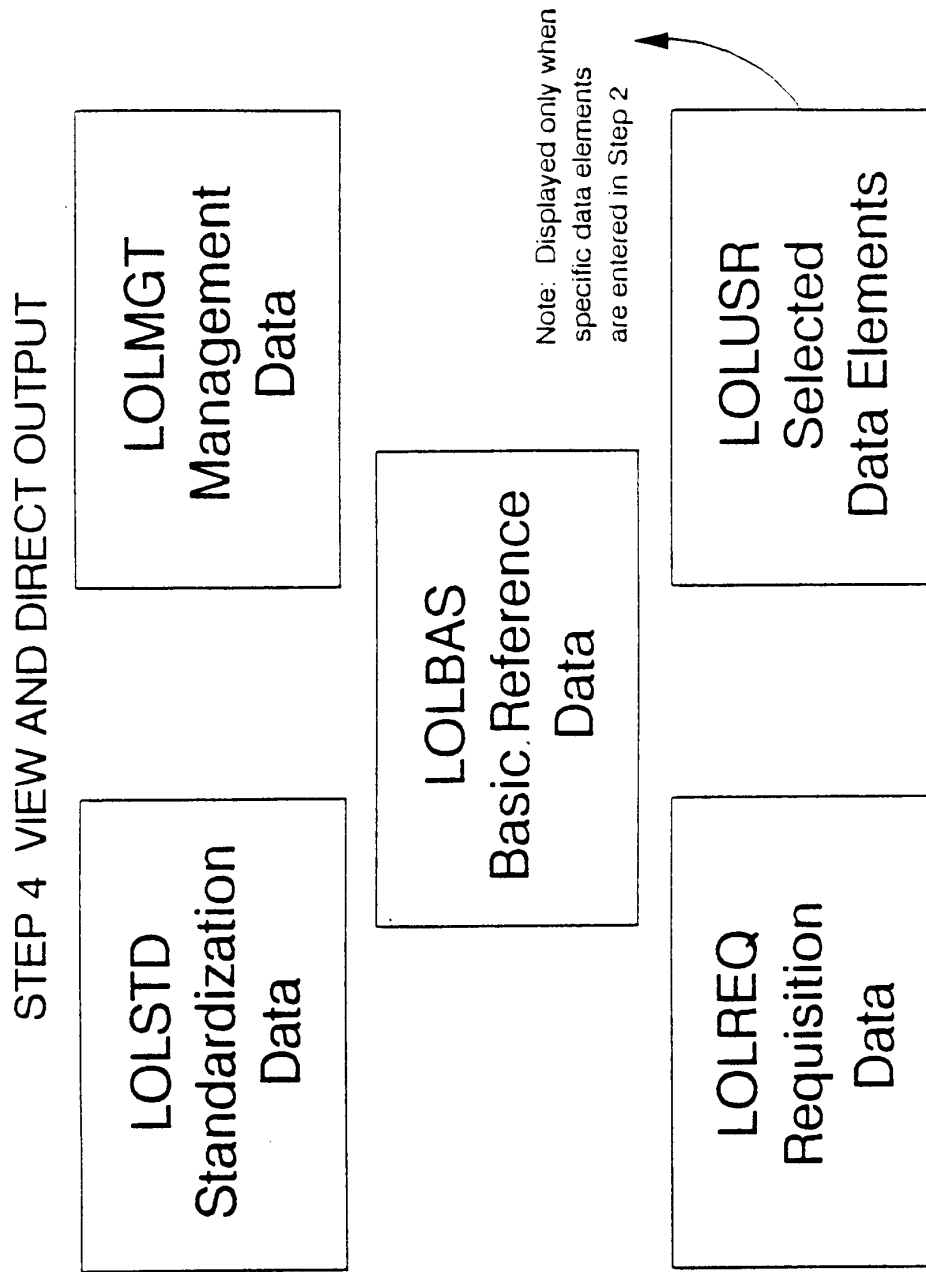
Figure 4.1-08a Inquiry Processing Steps

STEP 4 VIEW AND DIRECT OUTPUT



IN SC BC 1593 RD

Figure 4.1-08b Inquiry Processing Steps



DI SC IIC 1504 110

Figure 4.1-08c Inquiry Processing Steps

16.4.2 Inquiry by CAGE Code

a. Task Description. This task will allow you to enter a Commercial and Government Entity (CAGE) Code, search for National Stock Numbers (NSN) associated with that CAGE code and retrieve data elements on those NSNs.

b. Special Access. Special clearances are required for access to the following information. Check with the security administrator at your facility for authorization.

NOCO
CRYPTO
Security Classified O
Security Classified S
Proprietary
NATO

c. Screen Displays. The following screens may display during this procedure. For specific information about a screen, see [Appendix A](#).

[LOLINQ](#) - Start Inquiry

[LOLCCD](#) - Item CAGE Pick List

d. Procedure. From the Start Inquiry screen, move to the CAGE CODE field, type in the desired CAGE code and press Enter. The CAGE Code must be alphanumeric. The Item CAGE Pick List screen will appear with the CAGE code and CAGE name for that code. A list of NSNs, INCs, item names and part numbers will be displayed. A limit of 100 NIIN matches will be displayed. Output on CAGE to NIIN will be limited to 100. Select the item or items you wish to view by placing an X next to the desired NSN(s) and press F6 (Process), or press F12 (Process All) to process all listed NSNs.

Processing will be either displaying, printing or downloading to PC the information depending on which you specified in the Output Option selection.

e. Special Features. If more than 12 items are available on the CAGE Pick List, press F7 (page up) and/or F8 (page down) to view all the items.

f. Data Features. To narrow the inquiry search, place additional information in either the part number field, INC field, or Item Name field. This may reduce the number of items on the pick list you will need to scan visually. If anything is placed in the CAGE Name field or NIIN field, the inquiry will be considered invalid and will not proceed. However, when a valid search is initiated, output of the search is limited to 100.

g. Considerations. You may change your Output Options (CRT/Printer/Overnight processing) and/or the specified data elements by pressing F10 (Change Data Elements) on the CAGE Pick List screen. Refer to Select/Change Output Options for further information.

16.4.3 Inquiry by CAGE Name

a. Task Description. This task will allow you to enter a Commercial and Government Entity (CAGE) name, search for a proper CAGE code, continue the search for NSNs dealing with that CAGE code and retrieve data elements on those NSNs.

b. Screen Displays. The following screens may display during this procedure. For specific information about a screen, see [Appendix A](#).

[LOLINQ](#) - Start Inquiry

[LOLCNM](#) - CAGE Code Pick List

[LOLCCD](#) - Item CAGE Pick List

c. Procedure. From the Start Inquiry screen, move to the CAGE Name field, type in the desired CAGE name and press Enter.

NOTE: CAGE name entered must be a minimum of three characters in length. (Example: 'international' not 'in').

A list of CAGE codes and names will display on the screen. To pick the proper CAGE Code, move the cursor to the Tag column on the line item you desire. Press X to select that item and press F6 (Process) to process that code.

The Item CAGE Pick List screen will appear with the CAGE code and CAGE name for the code selected. A list of NSNs, INCs, item names and part numbers will be displayed. Select the item or items you wish to view with an X in the Tag column, or press F12 (Process All). When F12 is pressed, processing will commence automatically for all the NIINs displayed as though X's were entered.

Once all the desired items have been properly selected, press F6 (Process). Processing will be either displaying, printing or downloading to PC the information depending on which you specified in the Output Option selection.

If there is only one CAGE Code for the name entered on the Start Inquiry Screen the Item CAGE Pick List will appear with the entered CAGE Name and the matched CAGE Code. Thus the CAGE Code Pick List is bypassed.

d. Special Features. If more than 12 items are available on the CAGE Code Pick List or CAGE Pick List, press F7 (page up) and/or F8 (page down) to view all the items.

e. Data Features. To narrow the inquiry search, place additional information in either the part number field, or INC field. This may reduce the number of items on the pick list you will need to scan visually. If anything is placed in the CAGE Name field, Item Name field, or NIIN field, the inquiry will be considered invalid and will not proceed.

f. Considerations. You may change your Output Options (CRT/Printer/Overnight processing) and/or the specified data elements by pressing F10 (Change Output Options) on the Item CAGE Pick List screen. Refer to Select/Change Output Options for further information.

16.4.4 Inquiry by Item Name

a. Task Description. This task will allow you search by the Item Name Code to find the proper NIIN(s).

b. Special Access. Special clearances are required for access to the following information. Check with the security administrator at your facility for authorization.

NOCO
CRYPTO
Security Classified O
Security Classified S
Proprietary
NATO

c. Screen Displays. The following screens may display during this procedure. For specific information about a screen, see [Appendix A](#).

[LOLINQ](#) - Start Inquiry
[LOLINM](#) - INC Pick List
[LOLINP](#) - Item INC Pick List

d. Procedure. From the Start Inquiry screen, move to the Item Name field, enter a valid Item name and press Enter. The screen will respond with a INC Pick List corresponding to the Item Name. A limit of 100 NIIN to INC matches will be displayed. To pick an item, move to the Tag field of the line item you desire, press X to mark the item and press F6 (Process).

NOTE: Item name entered must be a minimum of three characters in length. (Example: 'THER' not 'TH').

The Item INC Pick List screen will appear. To pick the item, place an X in the Tag field of each NSN you wish to view and press F6 (Process) to process them, or press F12 (Process All) to process all listed items. When F12 is pressed, processing will commence automatically as though X's were entered.

The selected NSNs will either be displayed, printed, or sent to overnight processing, depending on the Output Options you previous selected.

If there is only one Item Name Code for the name entered on the Start Inquiry Screen, the Item INC Pick List will appear with the entered name and the matched INC. Thus the INC Pick List is bypassed.

e. Special Features. If more than 12 items are available on the Item INC Pick List, press F7 (page up) and/or F8 (page down) to view all the items.

f. Data Features. To narrow the inquiry search, place additional known information in either the part number field or the CAGE code field. This will reduce the number of items on the pick list you will need to scan visually.

g. Considerations. You may change your Output Options (CRT/Printer/Overnight processing) and/or the specified data elements by pressing F10 (Change Output Options) on the Item INC Pick List screen. Refer to Select/Change Output Options for further information.

16.4.5 Inquiry by Item Name Code (INC)

a. Task Description. This task will allow you search by the Item Name Code (INC) to find the desired NIIN(s).

b. Special Access. Special clearances are required for access to the following information. Check with the security administrator at your facility for authorization.

NOCO
CRYPTO
Security Classified O
Security Classified S
Proprietary
NATO

c. Screen Displays. The following screens may display during this procedure. For specific information about a screen, see [Appendix A](#).

[LOLINQ](#) - Start Inquiry

[LOLINP](#) - Item INC Pick List

d. Procedure. From the Start Inquiry screen, move to the Item Name Code field, enter a valid Item Name Code (INC) and press Enter.

NOTE: INC must be entered as all numerics.

The Item INC Pick List screen will appear. Select the item or items you wish to view by placing an X in the Tag field and press F6 (Process), or press F12 (Process All) to process all listed NSNs.

Each selected NSN will be displayed, printed, or sent to overnight processing (if authorized), depending on the Output Option you previously selected.

e. Special Features. If more than 12 items are available on the Item INC Pick List, press F7 (page up) and/or F8 (page down) to view all the items.

f. Data Features. To narrow the inquiry search, place additional information in either the part number field, CAGE code field, or CAGE name field. This will reduce the number of items on the pick list you will need to scan visually. There is a limit of 100 matches for each search initiated.

g. Considerations. You may change your Output Options (CRT/Printer/Overnight processing) and/or the specified data elements by pressing F10 (Change Output Options) on the Item INC Pick List screen. Refer to Select/Change Output Options for further information.

16.4.6 Inquiry by NIIN

a. Task Description. By entering a given NIIN, a search for information pertaining to that NIIN will be initiated.

b. Special Access. Special clearances are required for access to the following information. Check with the security administrator at your facility for authorization.

NOCO
CRYPTO
Security Classified O
Security Classified S
Proprietary
NATO

c. Screen Displays. The following screens may display during this procedure. For specific information about a screen, see [Appendix A](#).

[LOLINQ](#) - Start Inquiry
[LOLSUP](#) - CAGE/Supplier Data
[LOLIDD](#) - Identification Data
[LOLXRF](#) - Reference/Part Number Data
[LOLFRT](#) - Freight Data
[LOLCOD](#) - Coded Characteristics
[LOLMOE](#) - MOE Rule Data Coded
[LOLMOD](#) - MOE Rule Data Decoded
[LOLMUL](#) - Multiple NIIN
[LOLIAS](#) - I&S Data
[LOLDEC](#) - Decoded Characteristics
[LOLSTD](#) - Standardization Data
[LOLMGT](#) - Management Data
[LOLBAS](#) - Basic Reference Data
[LOLREQ](#) - Requisition Data

d. Procedure. On the Start Inquiry screen, enter a NIIN in the NIIN Inquiry field leaving all other inquiry fields blank, then press Enter. If that NIIN is not found, an error message will be displayed on the screen.

NOTE: NIIN entered must be numeric for positions 1-2,6-9 and alpha or numeric for positions 3-5.

If the NIIN is found, an Active/Inactive NIIN will send the appropriate screen(s) to the select output media: CAGE/Supplier Data, Identification Data, Reference/Part Number Data, Freight Data, Coded Characteristics, MOE Rule Data Coded, MOE Rule Data Decoded, I&S Data, Decoded Characteristics, Standardization Data, Management/Phrase Data, Basic Reference Data, Requisition Data and Packaging Data.

e. Special Features. If the NIIN has been or will be canceled, the screen will display the Canceled NIIN with the date of cancellation and the replacement NIIN if there is a replacement or message "NIIN Cancelled with no replacement". Press F9 to display the data for the canceled NIIN, or press F6 to show data for the Replacement NIIN. You will only get a replacement NIIN if there is one to replace the canceled NIIN.

f. Data Features. None.

g. Considerations. The information you receive will depend on the Data Elements you specified on your Output Options screen. If you would like a printed copy, refer to Select/Change Output Options.

16.4.7 Inquiry by Part Number (PN) or Partial Part Number (PPN)

a. Task Description. This task will allow you to enter a part number, select one or more part numbers, CAGE numbers, item names and NSNs, and inquiry the selected NSNs.

b. Special Access. Special clearances are required for access to the following information. Check with the security administrator at your facility for authorization.

NOCO
CRYPTO
Security Classified O
Security Classified S
Proprietary
NATO

c. Screen Displays. The following screens may display during this procedure. For specific information about a screen, [see Appendix A](#).

[LOLINQ](#) - Start Inquiry

[LOLPNR](#) - Item PN Pick List

d. Procedure. From the Start Inquiry screen, enter the part number in the Part Number field and press Enter. The Item PN Pick List will display with list of part numbers (if you entered a partial part number with a wildcard), CAGE codes, items names, and NSNs. Select the item(s) you wish to inquiry by placing an X in the Tag column next to the part number(s) or press F12 (Process All). When F12 is pressed, processing will commence automatically as though X's were entered. Once the desired item(s) have been selected, press F6 (Process) to display, print or overnight processing (if authorized) (depending on your previous Output Option selection).

e. Special Features. If you do not know the complete part number, you may search with partial part number. Enter as much of the start of the part number known (minimum of 1 character) and place a single question mark (?) at the end (i.e. 5?). A search will be conducted for all parts that start with those numbers (5). If more than 12 items are available on the Item PN Pick List, you may scan the other items by pressing F7 (page up) and/or F8 (page down).

f. Data Features. To narrow the inquiry search, place additional information about the part in the CAGE Name field or the CAGE code field (not both), and/or the item name field or the INC field (not both) on the Start Inquiry screen. Output on INC to NIIN will be limited to 100. If information is in the CAGE code field and CAGE Name field, the inquiry will be considered invalid and will not continue until one is erased. Also, if information is in the Item Name field and INC field, the inquiry will be considered invalid and will not continue until one is erased.

g. Considerations. You may change your Output Options (CRT/Printer/Overnight processing) and/or the specified data elements by pressing F10 (Change Output Options) on the Item PN Pick List screen. Refer to Select/Change Output Options for further information.

16.4.8 Inquiry by Multiple NIIN

a. Task Description. By entering a given NIIN from 1 to 24, a search for information pertaining to those NIINs will be initiated.

b. Special Access. Special clearances are required for access to the following information. Check with the security administrator at your facility for authorization.

NOCO
CRYPTO
Security Classified O
Security Classified S
Proprietary
NATO

c. Screen Displays. The following screens may display during this procedure. For specific information about a screen, see [Appendix A](#).

LOLINQ - Start Inquiry
LOLMUL - Multiple NIIN Inquiry
LOLSUP - CAGE/Supplier Data
LOLIDD - Identification Data
LOLXRF - Reference/Part Number Data
LOLFRT - Freight Data
LOLCOD - Coded Characteristics
LOLMOE - MOE Rule Data Coded
LOLMOD - MOE Rule Data Decoded
LOLIAS - I&S Data
LOLDEC - Decoded Characteristics
LOLSTD - Standardization Data
LOLMGT - Management Data
LOLBAS - Basic Reference Data
LOLREQ - Requisition Data

d. Procedure. On the Start Inquiry screen press F6 key. The Multiple NIIN Inquiry screen will appear. Enter multiple NIINs from 1 to 24, a Submitter-ID, and press F10 for the Select Inquiry Output Option Screen to choose the output format and the output media desired.

NOTE: NIIN entered must be numeric for positions 1-2,6-9 and alpha or numeric for positions 3-5.

If the NIIN is found, an Active/Inactive NIIN will send the appropriate screen(s) to the select output media: CAGE/Supplier Data, Identification Data, Reference/Part Number

Data, Freight Data, Coded Characteristics, MOE Rule Data Coded, MOE Rule Data Decoded, I&S Data, Decoded Characteristics, Standardization Data, Management/Phrase Data, Basic Reference Data, Requisition Data and Packaging Data.

e. Special Features. If the NIIN has been or will be canceled, the screen will display the Canceled NIIN with the date of cancellation and the replacement NIIN. Press F9 to display the data for the canceled NIIN, or press F6 to show data for the replacement NIIN. You will only get a replacement NIIN if there is one to replace the canceled NIIN.

f. Data Features. None.

g. Considerations. The information you receive will depend on the Data Elements you specified on your Output Options screen.

If you would like a printed copy or overnight processing (if authorized), refer to Select/Change Output Options.

16.4.9 Inquiry by Associated CAGE

a. Task Description. This task allows the user to inquire the database for an Associated CAGE Code and be presented with a Pick List and/or detailed data pertaining to the Associated CAGE Code entered.

b. Special Access. Special clearances are required for access to the following information. Check with security administrator at your facility for authorization.

NOCO
CRYPTO
Proprietary
NATO

c. Screen Displays. The following screens may display during this procedure. For specific information about a screen, see [Appendix A](#).

[LOLINQ](#) - Start Inquiry
[CATACC](#) - Inquiry by Associated CAGE
[CATXCC](#) - Expanded CAGE Code Inquiry
[CATCLR](#) - CAGE Code Notes
[CATCGC](#) - Inquiry by Changed CAGE Data

d. Procedure. From the Start Inquiry screen (LOLINQ), enter an Associated CAGE Code and press Enter.

The Inquiry by Associated CAGE screen (CATACC) will be displayed. Tag the CAGE Code you wish to inquire and press F6 (Process). The Expanded CAGE Code Inquiry screen (CATXCC) will be displayed. Press F8 (Page Down) or F7 (Page Up) to view the information.

From screen CATXCC, F9 (Clr TEXT) OR F10 (CHG DATA) may be pressed for further information. If F9 (Clr TEXT) is pressed, the CAGE Code Notes screen (CATCLR) will be

displayed. This screen will display Clear Text information for the CAGE Code selected on screen CATXCC. If F11 (Print) was pressed on CATXCC, this information will be loaded into a holding Terminal Screen Queue/Temporary Screen Queue (TSQ) to format the data for print. Screen CATCLR will not be displayed if this is the case.

If F10 (Chg Data) is pressed from screen CATXCC, the Inquiry by Changed CAGE Data screen (CATCGC) will be displayed with tracking information for the CAGE Code inquiry. This screen will display changed data for the First and Second Name/Location and the last time each Line Number was changed for this CAGE code.

e. Special Features. None

f. Data Features. None

g. Considerations. You may change your Output Options (CRT/Printer/Overnight processing) and/or the specified data elements by pressing F10 (Change Output Options) on the Start Inquiry screen (LOLINQ). Refer to Select/Change Output Options for further information.

16.4.10 Select/Change Output Options to CRT

a. Task Description. This task will display the retrieved information to your CRT.

b. Special Access. None.

c. Screen Displays. The following screens may display during this procedure. For specific information about a screen, see [Appendix A](#).

LOLOUT - Select Inquiry Output Options

d. Procedure. Access the Select Inquiry Output Options screen by pressing F10 when defined as Change Output Options. Enter a C for CRT in the Output Media field. You may also define your Output Data Segment View at the same time. NOTE: Basic Reference Data is the default data segment view. To exit, press F6 (Process) to process your defined inquiry request.

e. Special features. None.

f. Data Features. There must be only one Output Media and at least one Output Data Segment View selected.

g. Considerations. For more information about selecting Output Data Segment View, refer to Select/Change Output Data Segment View.

If you wish to print the information on the printer associated with your terminal, refer to Select/Change Output Options to Printer.

If you wish to run an overnight batch, refer to the Overnight processing option.

16.4.11 Select/Change Output Options to Printer

- a. Task Description. Unless you specify differently, all retrieved information will be displayed on the screen. This task will send the information to the printer associated with your terminal instead.
- b. Special Access. There is no special access required for this task. Exception: If you are sending printouts to a system printer you will need to have the system printer address added to your user id profile. You will need to contact DLIS to have this procedure completed. The address is a four digit alpha numeric code (i.e. P123). You can also do print screens to your everyday printer (does not require authorization).
- c. Screen Displays. The following screens may display during this procedure. For specific information about a screen, see [Appendix A](#).

LOLOUT - Select Inquiry Output Options

16.4.12 Select Overnight Processing

- a. Task Description. Unless you specify differently, all retrieve processed information will be at the DISA Megacenters in Columbus, Ohio. This task will send the information to you via Overnight Processing consisting of either electronic data output, or Magnetic Tape.
- b. Special Access. There is special access required for this. Only certain activities entered in Table 783 Activity_Media_ID are the activities that can utilize Overnight Processing.
- c. Screen Displays. The following screens may display during this procedure. For specific information about a screen, see [Appendix A](#).

LOLOUT - Select Inquiry Output Options

d. Procedure. Access the Select Inquiry Output Options screen by either entering LOLOUT in the screen code field, or press F10 when defined as Select Output Options. Enter an O for Overnight Processing in the Output Media field. If you are not authorized to receive Overnight Processing, then you will not have it listed as one of your Output Media's. NOTE: Basic Reference Data is the default data segment view. After you have selected the output data views you want to process, tab to the Deskcode, enter a 7-position Deskcode, and press F6 (Process) to process your defined inquiry request.

e. Special Features. None.

f. Data Features. There must be only one Output Media and at least one Output Data Segment View. The output from Overnight Processing does not look like a LOLA printed listing. The output will be in Output Data Request Code (ODRC) format. Also, note you may actually receive additional segments/views over and above what you actually requested. This is only because of the way the ODRC tables are defined. Also, you cannot obtain Characteristics Data (Coded or Decoded) when submitting CAGE Code/Part Number queries via Overnight Processing. Only NIIN overnight queries can obtain Characteristics Data.

g. Considerations. For more information about Overnight Processing, refer to DLIS Customer Service Office.

16.4.13 Related Processing

The first time a user accesses LOLA, the users will need to define one of the following output parameters:

Screen
Printer
Overnight Processing

If the user does not select an output parameter, the default will be the screen. See screen layout [LOLOUT](#) in Appendix A for further information.

16.4.14 Data Backup

The end-user will not have responsibility for backup procedures related to FLIS. All backups are performed by the Columbus Megacenter in Columbus, Ohio.

16.4.15 Recovery from Errors and Malfunctions

See [Appendix B](#), Error Messages and Recovery Procedures.

16.4.16 Messages

See [Appendix B](#), Error Messages and Recovery Procedures.

16.4.17 Futures Data

Using LOLA Inquiry, you may view, print or download futures data on supply items. Futures data is available only on the following segment views:

- Identification Data
- MOE Rule Data Coded
- MOE Rule Data Decoded
- Coded Characteristics
- Decoded Characteristics
- Management Data
- Phrase Data

All current data on segment views show first. A message indicating the availability of futures data is also displayed.

Futures data with the same effective date, DIC and originating activity are grouped together.

You may press F12 to view the next set of futures data. If the last set is displayed, pressing F12 brings back the current data.

Futures data is printed in the same order as it shows on the screen. Headings and line spacing conform to the current standards for printing segment views.

CHAPTER 5

CHARACTERISTICS SEARCH SUBSYSTEM PROCESSING REFERENCE GUIDE

16.5.1 Processing Reference Guide

This section provides the end-user with technical information regarding LOLA's characteristics search functions.

a. Capabilities. The LOLA Characteristics Search Subsystem allows the end-user to search the logistics database by specifying characteristics information to acquire information concerning item of supply.

While employing the Characteristics Search Subsystem, the user may start a search by entering an Item Name Code (INC) or, if a specific INC is not known, by entering a descriptive Item Name.

(1) INC Search. After the user enters a specific INC, he/she is provided with a list of Master Requirement Codes (MRCs) that apply to the INC and number of the NIINs for each MRC. The user chooses one or more MRC from which the user will select specific characteristics criteria. The NIINs that have characteristics that match the criteria are those that are output. The output may appear as follows:

Screen
Printer
Overnight Processing (if authorized)

(2) Item Name Search. If a descriptive Item Name is entered, the user is transferred directly to the FSG/FSC/Item Name Subsystem, where the user can identify a specific INC based on the Item Name entered (see Section 6). Once an INC is selected, the user may return to the Characteristics Search Subsystem and process the search as described above.

b. Conventions. Conventions used for the Federal Logistics Information System (FLIS) are described in Section [16.3.2.b](#) of this manual. Conventions used within the LOLA Applications include pre-formatted data displays and screen entry requirement. These are explained in paragraphs 16.5.2 through 16.5.4 of the Processing Procedures and screen illustrations in see [Appendix A](#).

c. Processing Procedures. Processing procedures for LOLA Characteristics Search are provided in paragraphs 16.5.2 through 16.5.4. These procedures provide step-by-step instructions for performing each LOLA Characteristics Search task.

16.5.2 Inquiry Characteristics by Item Name

a. Task description. This task will allow you to search the characteristics of an item once you have entered an item name to start the inquiry process.

b. Special Access. Special clearances are required for access to the following information. Check with the security administrator at your facility for authorization.

NOCO
CRYPTO
Security Classified O
Security Classified S
Overnight Processing (if authorized)
Proprietary

c. Screen Displays. The following screens may display during this procedure. For specific information about a screen, see [Appendix A](#).

[LOLCHS](#) - Start Characteristics
[LOLINR](#) - Item Name/Keyword Search Response
[LOLMRC](#) - MRC Pick List
[LOLSAC](#) - MRC SAC Selection Screen
[LOLDIM](#) - MRC Reply Selection (Dimension)
[LOLMLT](#) - MRC Reply Selection (Multiple Tables)
[LOLNUM](#) - MRC Reply Selection (Number)
[LOLTBL](#) - MRC Reply Selection (Single Tables)
[LOLTOL](#) - MRC Reply Selection (Tolerances)
[LOLTXN](#) - MRC Reply Selection (Text)

d. Procedure. From the Start Characteristics Search screen, enter the Item Name you would like to inquiry and press Enter. The Item Name/Keyword Search Response screen will display the Item Names and Item Name Code (INC). Tab to the line of a valid, approved Item Name/INC and press F10 (Start CHS). The MRC Pick List will display MRCs that are associated with the selected Item Name Code. You may select the desired MRCs by placing a X in the Tag field. Once all desired MRCs have been selected, press F6 (Process).

If the current MRC has more than one Secondary Access Code (SAC), the SAC Selection Screen will appear. This screen will display the SACs of an MRC and its descriptions. Tag the desired SAC and press F6.

The MRC Reply Selection screen will appear. This screen will vary depending on the characteristics associated with that MRC. Select the characteristics of your item and press F6 (Process).

The section Reviewing Characteristics Search Results will further explain how to select your output method and view NIIN search results.

e. Special Features. If more than 12 items are available on either the MRC Pick List or the MRC Reply Selection screens, press F7= page up and/or F8 = page down to view additional items.

The number of Reply Values displayed on a MRC Reply Selection Screen can be restricted

by entering specific information which defines guidelines for the database search. The type of information used to initiate the database search for each MRC Reply Selection Screen is provided with the explanation of each screen.

If you select more than one MRC from the MRC Pick List, you may move to your first MRC Reply Selection by pressing F6 (Process). F5 (Cancel) will stop this inquiry and return you to the Start FSG/FSC Item Name.

f. Data Features. On the Start Characteristics Search screen, do not enter a INC and Item Name at the same time. If you know both, enter the INC and leave the Item Name field blank.

g. Considerations. If the entered item name can not be found, the Start Characteristics Search screen will be displayed with an appropriate message.

16.5.3 Inquiry Characteristics by Item Name Code (INC)

a. Task Description. This task will allow you to search the characteristics of an item once you have entered an INC to start the inquiry process.

b. Special Access. Special clearances are required for access to the following information. Check with the security administrator at your facility for authorization.

NOCO
CRYPTO
Security Classified O
Security Classified S
Overnight Processing (if authorized)
Proprietary

c. Screen Displays. The following screens may display during this procedure. For specific information about a screen, see [Appendix A](#).

[LOLCHS](#) - Start Characteristics
[LOLMRC](#) - MRC Pick List
[LOLSAC](#) - MRC SAC Selection Screen
[LOLDIM](#) - MRC Reply Selection (Dimension)
[LOLMLT](#) - MRC Reply Selection (Multiple Tables)
[LOLNUM](#) - MRC Reply Selection (Number)
[LOLTBL](#) - MRC Reply Selection (Single Tables)
[LOLTOL](#) - MRC Reply Selection (Tolerances)
[LOLTXT](#) - MRC Reply Selection (Text)

If the selected MRC has SAC associated with it, the MRC SAC Selection screen will automatically appear. The user will need to select a SAC for processing (Press F6).

If SAC is not available for the selected MRC then the MRC SAC Selection screen will not appear for the MRC.

d. Procedure. From the Start Characteristics Search screen, enter in the INC you would like to inquiry and press Enter. The MRC Pick List will display MRCs that are associated with the entered INC. You may select the desired MRCs by placing a X in the Tag field. Once all desired MRCs have been selected, press F6 (Process).

If the current MRC has more than one SAC, the SAC Selection Screen will appear. This screen will display the SACs of an MRC and its descriptions. Tag the desired SAC and press F6.

The MRC Reply Selection screen will appear. This screen will vary depending on the characteristics associated with that MRC. Select the characteristics of your item and press F6 (Process).

The section Reviewing Characteristics Search Results will further explain how to select your output method and view NIIN search results.

e. Special Features. If more that 12 items are available on either the MRC Pick List or the MRC Reply Selection screens, press F7= page up and/or F8= page down to view additional items.

The number of Reply Values displayed on a MRC Reply Selection Screen can be restricted by entering specific information which defines guidelines for the database search. The type of information used to initiate the database search for each MRC Reply Selection Screen is provided with the explanation of each screen.

If you select more than one MRC from the MRC Pick List, you may view the next MRC Reply Selection by pressing F9 (Next MRC).

F5 (Cancel) will stop this inquiry and return you to the Start Characteristics Search screen.

f. Data Features. On the Start Characteristics Search screen, do not enter an INC and Item Name at the same time. If you know both, enter the INC and leave the Item Name field blank.

g. Considerations. If the entered item name code cannot be found, the Start Characteristics Search screen will display an appropriate message.

16.5.4 Reviewing Characteristics Search Results

a. Task Description. This task describes the various options available once the MRCs have been selected.

b. Special Access. Special clearances are required for access to the following information. Check with the security administrator at your facility for authorization.

NOCO
CRYPTO
Security Classified O

Security Classified S
Overnight Processing (if authorized)
Proprietary

c. Screen Displays. The following screens may display during this procedure. For specific information about a screen, see [Appendix A](#).

LOLRES - Characteristics Search Results

d. Procedure. Once you are on the Characteristics Search Results screen (See Inquiry Characteristics by Item Name Code (INC) or Inquiry Characteristics by Item Name), you have four (4) main options:

(1) Return to MRC Pick List to modify MRC replies: Press F9 (Redo Current Search).

(2) Enter a CAGE code to narrow the search: Enter a CAGE Code in the Secondary Search By CAGE Code field and press Enter.

(3) Transfer NIIN to LOLA Inquiry (section 4 of this manual): transfer NIIN to the Select Inquiry Output Options screen.

(4) NIIN Search Results: Press F6 (Process). This will display each individual NIIN that matches the MRC selected (and CAGE Code, if entered).

e. Special Features. You may change the output media to CRT, printer, or Overnight processing (if authorized) while on the Characteristics Search Results screen. Enter the proper code in the field to the far right of the Enter Output Media prompt.

You can also select several NIINs and transfer to the Select Inquiry Output Options Screen by hitting F11 (Route to Inquiry). You can also process all NIINs by pressing F12 (to tag all) or entering an 'X' in the tag column.

On the NIIN Search Results screen, you may view any other MRCs by pressing F7 (page up) and/or F8 (page down). If you would like to view another NIIN, press F6 (Prev NIIN) and/or F9 (Next NIIN) as appropriate.

F5 (Cancel) will stop this inquiry and return you to the Start Characteristics Search Screen (LOLCHS).

Characteristics Search reflects current data only. Interfacing with the Inquiry Subsystem allows you to acquire futures data on the NIINs that match your search criteria.

f. Data Features. You must have one output media entered. If you do not specify where to send the results, they will be displayed on the screen.

g. Considerations. Use of the Secondary Search By CAGE Code can reduce the number of NIINs. If an invalid CAGE Code is entered, a message will be displayed at the bottom of the screen.

16.5.5 Related Processing

There is no related processing that concerns the end-user.

16.5.6 Data Backup

The end-user will not have responsibility for backup procedures related to the Federal Logistics Information System (FLIS). All backups are performed by the DISA Megacenter in Columbus, Ohio.

16.5.7 Recovery from Errors and Malfunctions

See [Appendix B](#), Error Messages and Recovery Procedures.

16.5.8 Messages

See [Appendix B](#), Error Messages and Recovery Procedures.

CHAPTER 6

FSG/FSC FUNCTIONAL PROCESSING REFERENCE GUIDE

16.6.1 Processing Reference Guide

This section provides the end-user with technical information regarding LOLA's FSG/FSC Subsystem functions.

a. Capabilities. The LOLA FSG/FSC Subsystem allows the user the capability to search and display information concerning H2/H6 Cataloging Handbooks, the H2-2 Publications Directory, and the Item Name/Keyword data tables. The end-user may make requests for information by entering:

- (1) Item Name
- (2) Keyword
- (3) Federal Item Identification Guide (FIIG)
- (4) Item Name Code (INC)
- (5) Federal Supply Group (FSG)
- (6) Federal Supply Code (FSC)

b. While employing the FSG/FSC Item Name Search Subsystem, the user has the following options to access data in the logistics database:

- (1) A search to yield a list of Item Name Codes (INCs) by entering either a descriptive Item Name or a descriptive keyword.
- (2) A search to yield a list of INCs by entering a Federal Item Identification Guide (FIIG) number.
- (3) The definition of a specific INC, the subordinate group titles that make up a specific Federal Supply Group (FSG), or the data for a specific Federal Supply Class (FSC).
- (4) The data associated with a particular INC.
- (5) The data associated with FSC/FSG data.

c. Conventions. Conventions used for the Federal Logistics Information System (FLIS) are described in Section [16.3.2.b](#) of this manual. Conventions used within the LOLA Applications include pre-formatted data displays and screen entry requirement. These are explained (with directions) in paragraphs 16.6.2 through 16.6.12 of the Processing Procedures and screen illustrations in [Appendix A](#).

d. Processing Procedures. Processing procedures for LOLA FSG/FSC Search are provided in paragraphs 16.6.2 through 16.6.12. These procedures provide step-by-step instructions for using each of the LOLA FSG/FSC Search tasks.

16.6.2. Display FSC Change Data

a. Task Description. This task allows you to enter an FSC to display the change data within a specified date range.

b. Screen Displays. The following screens may display during this procedure. For specific information about a screen, see [Appendix A](#).

[LOLSRC](#) - Start FSG/FSC Item Name Search

[LOLCHG](#) - Get INC/FSC Effective Dated Changes

[LOLFCH](#) - FSC Change Data

c. Procedure. From the Start FSG/FSC Item Name Search, enter the FSG/FSC and then press the F5 (INC/FSC EFF DTD Changes) key. The Get INC/FSC Effective Dated Changes screen will be displayed. Enter change data for INC or change data for FSC, a valid Julian date range and press Enter. If all entries are valid, the FSC Change Data screen will appear with the entered information with corresponding description, effective date and DRN changed.

d. Special Features. If more than twelve descriptions are available on the FSC Change Data screen, press the F7 (page up) and/or F8 (page down) to view the remaining descriptions.

When finished viewing the FSC Change Data screen, press the F5 (previous screen) to return to the Get INC/FSC Effective Dated Changes screen.

e. Data Features. Entering an INC, FSC and FSG on the Get INC/FSC Effective Dated Changes screen will be considered an invalid search. To display INC effective dated changes, clear the change data for FSC, enter dates and hit enter. To display FSG effective dated changes enter the FSG on the change data for FSC, enter the valid Julian Date and hit enter.

The date range entered must be no earlier than 180 days prior to or 180 days after the current date.

For futures data (Effective Date of Change), an FSG or a complete FSC can be entered. Note that on screen LOLFCH, the screen header could change to either FSC or FSG depending on this input. Please refer to screen layout.

f. Considerations. If a valid FSC or date range is not entered, an error message will appear at the bottom of the screen.

16.6.3 Display FSC Description

a. Task Description. This task will allow you to display the description of an FSC.

b. Screen Displays. The following screens may display during this procedure. For specific information about a screen, see [Appendix A](#).

[LOLSRC](#) - Start FSG/FSC Item Name Search

[LOLFSC](#) - FSC Description

c. Procedure. From the Start FSG/FSC Item Name Search screen, enter an FSC in the FSG/FSC Data field and press F11 (Item Name Definition/FSC Description). The FSC and Group will display on the FSC Description screen with the FSC Description.

d. Special Features. If more than twelve (12) lines are available on the FSC Description screen, press the F7 (page up) and/or F8 (page down) to view the remaining lines. You may transfer to the FSC Data screen by pressing F9 (FSC Data) on the FSC Description screen.

e. Data Features. To perform this task, only an FSC should be entered on the Start FSG/FSC Item Name Search screen. If any other information is entered on the screen, the search criteria will be considered invalid.

f. Considerations. If a valid search criteria is not entered, an error message will appear at the bottom of the screen.

This task may also be performed any time a function key is defined as FSC DESC.

16.6.4 Display FSG Group Notes

a. Task Description. This task will allow you to display the notes for a particular FSG.

b. Screen Displays. The following screens may display during this procedure. For specific information about a screen, see [Appendix A](#).

[LOLSRC](#) - Start FSG/FSC Item Name Search

[LOLFSG](#) - Federal Supply Group Titles (H2-1 Contents)

[LOLNOT](#) - FSG Group Notes

c. Procedure. From the Start FSG/FSC Item Name Search screen, enter an FSG in the FSG/FSC Data field and press Enter. The FSG, any related Groups and Titles will display on the screen. Press the F9 (Group Notes) key to display the FSG Group Notes. FSG Group Notes will also be invoked when you enter an FSG in the Start FSG/FSC Item Name Search Screen and press F11.

d. Special Features. If more than twelve (12) lines are available on the FSC Description screen, press the F7 (page up) and/or F8 (page down) to view the remaining lines.

You may transfer back to the Federal Supply Group Titles (H2-1 Contents) screen by pressing F9 (FSG Titles) on the FSG Group Notes screen.

You may transfer to the FSC Data screen by pressing F10 (FSC Data) on the FSG Group Notes screen.

You may transfer back to the Start FSG/FSC Item Name Search screen by pressing F5 (Start Search Screen) on the FSG Group Notes screen.

e. Data Features. To perform this task, only an FSG should be entered on the Start FSG/FSC Item Name Search screen. If any other information is entered on the screen, the search criteria will be considered invalid.

f. Considerations. If a valid FSG is not entered, an error message will appear at the bottom of the screen.

16.6.5 Display Item Name Change Data

a. Task Description. This task allows you to enter an INC to display the item name change data within a specified date range.

b. Screen Displays. The following screens may display during this procedure. For specific information about a screen, see [Appendix A](#).

[LOLSRC](#) - Start FSG/FSC Item Name Search

[LOLCHG](#) - Get INC/FSC Effective Dated Changes

[LOLICH](#) - Item Name Change Data

c. Procedure. From the Start FSG/FSC Item Name Search, enter your INC in the appropriate field and press the F5 (INC/FSC EFF DTD Changes) key. The Get INC/FSC Effective Dated Changes screen will display. Enter a valid Julian date range and press Enter. If all entries are valid, the Item Name Change Data screen will appear with the entered information with corresponding (Item Names, Effective Dates, FSC, Condition Codes, FIIGs, and Applicability Keys) effective dates, changed data and changed DRNs.

d. Special Features. If more than twelve (12) Item Names are available on the Item Name Change Data screen, press the F7 (page up) and/or F8 (page down) to view the remaining Item Names.

When finished viewing the Item Name Change Data screen, press the F5 (previous screen) to return to the Get INC/FSC Effective Dated Changes screen.

e. Data Features. Entering an INC, FSC and FSG on the Get INC/FSC Effective Dated Changes screen will be considered an invalid search. To display FSC effective dated changes, refer to the task Display FSC Change Data. To display FSG effective dated changes, enter the FSG on the change data for FSC, enter the valid Julian date range and hit enter.

NOTE: Entered INC must be numeric or alpha G-Z for position 1 and numeric in other positions.

The date range entered must be no earlier than 180 days prior to or 180 after the current date.

f. Considerations. If a valid INC or date range is not entered, an error message will appear at the bottom of the screen.

16.6.6 Display Item Name Definition

a. Task Description. This task will allow you to display the definition of a certain Item Name.

b. Screen Displays. The following screens may display during this procedure. For specific information about a screen, see [Appendix A](#).

[LOLSRC](#) - Start FSG/FSC Item Name Search

[LOLINC](#) - Item Name Definition

c. Procedure. From the Start FSG/FSC Item Name Search, type in an INC in the INC Data field and press the F11 (Item Name Definition/FSC Description). Entered INC must be numeric or alpha G-Z for position 1 and numeric in other positions. The Item Name Definition screen will appear displaying the INC entered, the item name, FIIG, and the definition for that INC.

d. Special Features. If more than twelve (12) lines are available on the Item Name Definition screen, press the F7 (page up) and/or F8 (page down) to view the remaining lines.

You may transfer to the Item Name/Keyword Search Response screen by pressing F5 (Start Search Screen) on the Item Name Definition screen.

You may return to the Item Name Data screen by pressing F9 (INC Data) on the Item Name Definition screen.

You may begin a Characteristics Search (Section 5) by pressing F10 (Start CHS) on the Item Name Definition screen.

e. Data Features. To perform this task, only an INC should be entered on the Start FSG/FSC Item Name Search screen. If any other information is entered on the screen, the search criteria will be considered invalid.

f. Considerations. If a valid search criteria is not entered, an error message will appear at the bottom of the screen.

This task may also be performed any time a function key is defined as INC DEF.

16.6.7 FIIG Search

a. Task Description. This task will search and display a list of INCs and Item Names by entering a FIIG or partial FIIG.

b. Screen Displays. The following screens may display during this procedure. For specific information about a screen, see [Appendix A](#).

[LOLSRC](#) - Start FSG/FSC Item Name Search

[LOLFGF](#) - FIIG Search Response

c. Procedure. From the Start FSG/FSC Item Name Search, enter a FIIG or partial FIIG and press Enter. The FIIG Search Response screen will appear with a list of Item Names, INCs, related INCs (for COLLOQUIAL INCs), FSC, Condition Codes concept number and Applicability Keys.

d. Special Features. If more than twelve Item Names are available on the FIIG Search Response screen, press the F7 (page up) and/or F8 (page down) to view the remaining Item Names.

To cancel the search results, press F5 (Cancel) on the FIIG Search Response screen.

To search on a different FIIG, enter the new FIIG in the Search FIIG field and press F6 (New Search).

To transfer to the FSC Description screen, move to the Item Name and press F9 (FSC Desc) on the FIIG Search Response screen or enter an 'X' on the tag beside the desired FSC and press F9.

To transfer to Characteristics Search (Section 5), press the F10 (Start CHS).

To transfer to the Item Name Definition screen, move to the Item Name and press F11 (INC DEF) or enter an 'X' on the tag field beside desired INC and press F9.

e. Data Features. To perform this task, only the FIIG should be entered on the Start FSG/FSC Item Name Search screen. If any other information is entered on the screen, the search criteria will be considered invalid.

A partial FIIG may be entered as valid search criteria. A partial FIIG is a FIIG of the first 4 or 5 character/numbers. Any FIIG that matches these starting characters/numbers will be displayed as part of the search result.

f. Considerations. If a valid search criteria is not entered, an error message will appear at the bottom of the screen.

16.6.8 FSC Data Search

a. Task Description. This task will display the item names and supporting data for a certain FSC.

b. Screen Displays. The following screens may display during this procedure. For specific information about a screen, see [Appendix A](#).

[LOLSRC](#) - Start FSG/FSC Item Name Search

[LOLDES](#) - FSC Data

c. Procedure. From the Start FSG/FSC Name Search screen, type in a FSC in the FSG/FSC Data field and press Enter. If the FSG is found, the FSC, and Group will appear with a list of Item Names, INCs, Related INC (for COLLOQUIAL INCs), Condition Codes, FIIGs, and Applicability Key that support the given FSC.

d. Special Features. If more than twelve Item Names are available on the FIIG Search Response screen, press F7 (page up) and/or F8 (page down) to view the remaining Item Names.

To return to the Start FSG/FSC Item Name Search screen, press F5 (Start Search Screen).

To display the Item Name Definition screen for a specific Item Name, move to the Item Name and press the F9 (INC Def) key or enter an 'X' on the tag field beside desired INC and press F9.

To transfer to Characteristics Search (Section 5), press F10 (Start CHS). To display the FSC Description screen, press the F11 (FSC Desc) key.

e. Data Features. To perform this task, only a valid FSC should be entered on the Start FSG/FSC Item Name Search screen. If any other information is entered on the screen, the search criteria will be considered invalid.

f. Considerations. If a valid search criteria is not entered, an error message will appear at the bottom of the screen.

16.6.9 FSG Data Search

a. Task Description. This task displays the title and corresponding FSC data for a certain FSG.

b. Screen Displays. The following screens may display during this procedure. For specific information about a screen, see [Appendix A](#).

[LOLSRC](#) - Start FSG/FSC Item Name Search

[LOLFSG](#) - Federal Supply Group Titles (H2-1 Contents)

c. Procedure. From the Start FSG/FSC Item Name Search screen, enter a FSG in the FSG/FSC Data field and press Enter. If that FSG is found, any Groups and numerically sequential Titles will display on the screen.

d. Special Features. If more than twelve (12) Groups and Titles are available on the Federal Supply Group Titles (H2-1 Contents) screen, press the F7 (page up) and/or F8 (page down) to view the remaining Groups and Titles.

To transfer back to the Start FSG/FSC Item Name Search screen, press the F5 (Start Search Screen).

To transfer to the FSG Group Notes screen, press the F9 (Group Notes) key.

To transfer to the FSC Data screen for a specified Group, move to the Group and press F10 (FSC Data).

e. Data Features. To perform this task, only a valid FSG should be entered on the Start FSG/FSC Item Name Search screen. If any other information is entered on the screen, the search criteria will be considered invalid.

f. Considerations. If a valid search criteria is not entered, an error message will appear at the bottom of the screen.

16.6.10 INC Data Search

a. Task Description. This task will allow the entry of an INC to retrieve the Item Name, FIIG, FSC Condition Code, Applicability Key for that INC, and a list of FSC and modifiers related to that INC.

b. Screen Displays. The following screens may be displayed during this procedure. For specific information about a screen, see [Appendix A](#).

[LOLSRC](#) - Start FSG/FSC Item Name Search

[LOLIND](#) - Item Name Data

c. Procedure. From the Start FSG/FSC Item Name Search screen, enter an INC in the INC Data field and press Enter. Entered INC must be numeric or alpha G-Z for position 1 and numeric in other positions. The Item Name Data screen will appear containing the Item Name, FIIG, FSC Condition Code and Applicability Key matching to the entered INC. A list of FSCs and Modifiers will also appear.

d. Special Features. If more than twelve (12) FSCs or modifiers are available on the Item Name Data screen, press the F7 (page up) and/or F8 (page down) to view the remaining FSCs and Modifiers.

To transfer to the Item Name/Keyword/Response screen, press the F5 (Start Search Screen) key.

To display the INC Definition screen, press the F9 (INC Def) key.

To transfer to Characteristics Search (Section 5), press F10 (Start CHS).

To display the FSC Description screen for a specified FSC, move to the desired FSC and press the F11 (FSC Desc) key or enter an 'X' on the tag field beside the desired FSC and press F11.

e. Data Features. To perform this task, only an INC Data field should be entered on the Start FSG/FSC Item Name Search screen. If any other information is entered on the screen, the search criteria will be considered invalid.

f. Considerations. If a valid search criteria is not entered, an error message will appear at the bottom of the screen.

16.6.11 Item Name/Keyword Search

a. Task Description. This task will allow you to search and list INCs, Item Names, FSCs, Condition Codes, FIIGs, and Applicability Keys that apply to an entered Item Name or keyword.

b. Screen Displays. The following screens may display during this procedure. For specific information about a screen, see [Appendix A](#).

[LOLSRC](#) - Start FSG/FSC Item Name Search

[LOLINR](#) - Item Name/Keyword Search Response

c. Procedure. From the Start FSG/FSC Item Name Search, enter an Item Name or Keyword and press Enter. The Item Name/Keyword Search Response screen will appear with a list of Item Names, INCs, Related INCs (for COLLOQUIAL INCs), FSC, Condition Codes, Concept Number and Applicability Keys.

d. Special Features. If more than twelve (12) Item Names are available on the FIIG Search Response screen, press the F7 (page up) and/or F8 (page down) to view the remaining Item Names.

To cancel the search and return to the Start FSG/FSC Item Name Search screen, press the F5 (Cancel) key.

To search on a different Item Name or keyword, enter the Item Name or keyword into the appropriate field and press F6 (New Search).

To display the FSC Description screen for a specified FSC, move to the appropriate line and press F9 (FSC Desc) or enter an 'X' on the tag field beside the desired FSC and press F9.

To transfer to Characteristics Search (Section 5), move to the desired Item Name and press F10 (Start CHS) or enter an 'X' on the tag field beside the desired Item Name and press F10.

To display the INC Definition screen for a certain INC, move to the line for the INC and press the F11 (INC Def) key or enter an 'X' on the tag field beside the desired INC and press F11.

e. Data Features. To perform this task, only an Item Name or keyword (not both) should be entered on the Start FSG/FSC Item Name Search screen. If any other information or both an Item and Keyword is entered on the screen, the search criteria will be considered invalid.

f. Considerations. If a valid search criteria is not entered, an error message will appear at the bottom of the screen.

16.6.12 Cancelled FSC Data Search

a. Task Description. This task is similar to FSC Data, but data for the cancelled INCs of the input FSG.

b. Screen Displays. The following screens may display during this procedure. For specific information about a screen, see [Appendix A](#).

LOLSRC - Start FSG/FSC Item Name Search
LOLDES - FSC Data

c. Procedure. From the Start FSG/FSC Name Search screen, type in an FSG in the FSG/FSC Data field and press F10.

d. Special Features. If more than twelve (12) Item Names are available on the FIIG Search Response screen, press the F7 (page up) and/or F8 (page down) to view the remaining Item Names.

To return to the Start FSG/FSC Item Name Search screen, press F5 (Start Search Screen).

To display the Item Definition screen for a specific Item Name, move to the Item Name and press the F9 (INC Def) key or enter an 'X' on the tag field beside the desired INC and press F9.

To transfer to Characteristics Search (Section 5), press F10 (Start CHS).

To display the FSC Description screen, press the F11 (FSC Desc) key.

FSG/FSC Item Name Search displays futures data as Change Data when you enter a date range that goes beyond the current date.

e. Data Features. To perform this task, only a valid FSG should be entered on the Start FSG/FSC Item Name Search screen. If any other information is entered on the screen, the search criteria will be considered invalid.

f. Considerations. If a valid search criteria is not entered, an error message will appear at the bottom of the screen.

16.6.13 Related Processing

There is no related processing that concerns the end-user.

16.6.14 Data Backup

The end-user will not have responsibility for backup procedures related to the Federal Logistics Information System (FLIS). All backups are performed by the DISA Megacenter in Columbus, Ohio.

16.6.15 Recovery from Errors and Malfunctions

See [Appendix B](#), Error Messages and Recovery Procedures.

16.6.16 Messages

See [Appendix B](#), Error Messages and Recovery Procedures.

CHAPTER 7

CAGE INQUIRY SUBSYSTEM REFERENCE GUIDE

16.7.1 Processing Reference Guide

This section provides the end-user with the how-to technical information necessary to use CAGE Inquiry programs.

a. Capabilities. The LOLA CAGE Inquiry programs allow End-Users to request specific types of information and then view the responding information on-line.

The End-user may make requests for information by entering specific search criteria, or entering a single piece of information.

(1) Search by any of the fields listed on the screen, but not in any combination. Only one field entry is allowed.

(2) Search by ADP/CAO inquiry. Enter data in one field only.

The user has the option to print from any of the output display screens. Output data may appear as follows:

(1) Screen

(2) Printer

(3) Overnight Processing (if authorized)

b. Conventions. Conventions used for the FLIS are described in Section [16.3.2.b](#) of this manual. Conventions used within the LOLA Application include pre-formatted data views and screen entry requirements. These are explained (with directions) in paragraph [16.7.2](#) of the LOLA CAGE Inquiry Processing Procedures and Screen Illustrations in [Appendix A](#).

c. Processing Procedures. Processing procedures for LOLA CAGE Inquiry is provided in paragraph [16.7.2](#). This procedure will provide step-by-step instructions for performing the LOLA CAGE Inquiry task.

16.7.2 CAGE Code Inquiry

a. Task Description. This task allows the user to query the database for CAGE Code information.

b. Screen Displays. The following screens may display during this procedure. For specific information about a screen, see [Appendix A](#).

[CATCAG](#) - CAGE Code Inquiry

[CATXCC](#) - CAGE Code Name Address Data

CATICN - CAGE Code Inquiry Pick List

c. Procedure. From a blank CAGE Code Inquiry screen type in a CAGE Code, Company Name, Street Name, Zip Code, Phone Number, CEC, Duns Number, Congressional District, SIC Code, Tax ID, Replacement CAGE, Associated CAGE or Debarment Code. A pick list will be returned for the field that is tagged.

If a valid CAGE Code is entered, the CAGE Code Name Address Data screen (CATXCC) will be displayed. If more data is available, press F6 (more data) to view. Press F9 (CLR-TEXT) to see the clear text or F10 (CHG-DATA) to view the changed data (if available). Press F11 (print) to send data to a local or system printer.

The searches performed other than CAGE Code will return a pick list to select from. Tag your selection and proceed with your search for CAGE Code information.

d. Special Features. From the CAGE Code Inquiry screen (CATCAG) press F5 (ADP/CAO). The inquiry by ADP/CAO screen (CATACI) will be displayed. You may enter information in only one of these fields and press enter. If no data is found for the entered code, a message will appear that states “No Data Found For...”

e. Data Features. None

f. Considerations. If a valid search criteria is not entered, an error message will appear at the bottom of the screen.

CHAPTER 8

AMMO CODE INQUIRY SUBSYSTEM REFERENCE GUIDE

16.8.1 Processing Reference Guide

This section provides the end-user with the how-to-use technical information necessary to use the AMMO Code Inquiry Programs.

a. Capabilities. The AMMO Code Inquiry programs allow End-Users to request specific types of information and then view the responding information on-line.

The End-User may make requests for information by entering specific search criteria for a single piece of information. The End-User enters the AMMO Code to perform the search.

The user has the option to print from any of the output display screens. Output data may appear as follows:

- (1) Screen
- (2) Printer
- (3) Overnight Processing (if authorized)

b. Conventions. Conventions used for the FLIS are described in Section [16.3.2.b](#) of this manual. Conventions used within the LOLA Application include pre-formatted data views and screen entry requirements. These are explained (with directions) in paragraphs [16.8.2](#) of the AMMO Code Inquiry Procedures and screen illustrations in [Appendix A](#).

c. Processing Procedures. Processing procedures for AMMO Code Inquiry are provided in paragraph [16.8.2](#). This procedure will provide step-by-step instructions for performing the AMMO Code Inquiry task.

16.8.2 AMMO Code Inquiry

a. Task Description. This task allows the user to query the database for AMMO Code information.

b. Screen Displays. The following screens may display during this procedure. For specific information about a screen, see [Appendix A](#).

[CATAMC](#) - AMMO Code Inquiry

[CATAMD](#) - AMMO Code Data

c. Procedure. From a blank AMMO Code Inquiry screen (CATAMC), type in an AMMO Code and hit the enter key. If a valid AMMO Code is entered, the AMMO Code Data (CATAMD) is displayed with the AMMO Code, INC, Status Code, Date Established/Cancelled and a description. Press F11 (Print) to send data to a local or system printer.

d. Special Features. None.

e. Data Features. None.

f. Considerations. If a valid search criteria is not entered, an error message will appear at the bottom of the screen.

CHAPTER 9

CATALOG TOOLS INQUIRY SUBSYSTEM REFERENCE GUIDE

16.9.1 Processing Reference Guide

This section provides the end-user with the how-to-use technical information necessary to use the Catalog Tools Inquiry Subsystem.

a. Capabilities. The Catalog Tools Inquiry Subsystems allow End-Users to request specific types of information and then view the responding information on-line.

The End-User may make requests for information by entering specific search criteria, entering a single piece of information, or selected combination of information.

b. The user has the option to print from any of the output display screens. Output data may appear as follows:

- (1) Screen
- (2) Printer
- (3) Overnight Processing (if authorized)

c. Conventions. Conventions used for the FLIS are described in Section [16.3.2.b](#) of this manual. Conventions used within the LOLA Application include pre-formatted data views and screen entry requirements. These are explained (with directions) in paragraphs [16.9.2](#), [16.9.3](#), [16.9.4](#), [16.9.5](#) and [16.9.6](#) of the LOLA CATTOOLS Inquiry Processing Procedures and screen illustrations in [Appendix A](#).

d. Processing Procedures. Processing procedures for LOLA CATTOOLS Inquiry are provided in paragraph [16.9.2](#), [16.9.3](#), [16.9.4](#), [16.9.5](#) and [16.9.6](#). These procedures provide step-by-step instructions for performing each of the LOLA CATTOOLS Inquiry processes.

16.9.2 CATTOOLS CAGE Code Inquiry

a. Task Description. This task allows the user to view the CAGE Code Inquiry.

b. Screen Displays. The following screens may display during this procedure. For specific information about a screen, see [Appendix A](#).

[CATCAG](#) - CAGE Code Inquiry
[CATXCC](#) - CAGE Code Name Address Data
[CATICN](#) - CAGE Code Inquiry Pick List

c. Procedure. From the LOLA Main Menu, select the Catalog Tools Inquiry System (CATINQ) and press Enter. From the CATTOOLS Main Menu, select the CATTOOLS

CAGE Code Inquiry (CATCAG) and press enter. The CAGE Code Inquiry screen will be displayed with CAGE Code, Company Name, Street Name, Zip Code, Phone Number, CEC, DUNS Number, Congressional District, SIC Code, Tax ID, Replacement CAGE, Associated CAGE and Debarment Code. A pick list will be returned for the field that is tagged.

If a valid CAGE Code is entered, the CAGE Code Name Address Data Screen (CATXCC) will be displayed. If more data is available, press F6 (more data) to view. Press F9 (CLR-TEXT) to see the clear text or F10 (CHG-DATA) to view the changed data (if available). Press F11 (PRINT) to send data to a local or system printer.

The searches performed other than CAGE Code will return a pick list to select from. Tag your selection and proceed with your search for CAGE Code information.

d. Special Features. From the CAGE Code Inquiry Screen (CATCAG), press F5 (ADP/CAO). The inquiry by ADP/CAO screen (CATACI) will be displayed. You may enter information in only one of these fields and press enter. If no data is found for the entered code, a message will appear that states “No Data Found for....”.

e. Data Features. None

f. Considerations. If a valid search criteria is not entered, an error message will appear at the bottom of the screen.

16.9.3 CATTOOLS MOE Rule Data Inquiry

a. Task Description. This task allows the user to inquiry the database for MOE Rule information.

b. Screen Displays. The following screens may display during this procedure. For specific information about a screen, see [Appendix A](#).

[CATMOL](#) - MOE Rule Data Inquiry

[CATMOP](#) - MOE Rule Pick List

[CATXMR](#) - MOE Master Inquiry

[CATXMN](#) - MOE Master Management Inquiry

[CATXME](#) - MOE Master Exclusive FSG/FSC

[CATXMI](#) - MOE Master Inclusion FSG/FSC

c. Procedure. From the LOLA Main Menu, select the LOLA MOE Rule Data Inquiry option and press Enter. The MOE Rule Data Inquiry screen (CATMOL) will be displayed. Enter a valid MOE Rule Number and Effective Date or an Effective Date Range and press Enter. If you entered a MOE Rule Number and Effective Date, the MOE Master Inquiry screen (CATXMR) will be displayed. Press F6 (Mgmt Excp) from CATXMR to display the MOE Master Management Inquiry screen (CATXMN). Press F9 (Inclusion) from CATXMR to display the MOE Master Inclusive FSG/FSC screen (CATXMI). Press F10 (Exclusion) from CATXMR to display the MOE Master Exclusive FSG/FSC screen (CATXME).

If you entered a MOE Rule Number and no Effective Date, the MOE Master Inquiry screen (CATXMR) will be displayed. Follow the instructions in the paragraph above to continue processing.

d. Special Features. None

e. Data Features. None

f. Considerations. If a valid search criteria is not entered, an error message will appear at the bottom of the screen.

16.9.4 Cattools Freight Data Inquiry

a. Task Description. This task allows the user to view Freight Data.

b. Screen Displays. The following screens may display during this procedure. For specific information about a screen, see [Appendix A](#).

CATFRT - Freight Data Inquiry

CATFMI - Freight Master Inquiry

CATFMS - Freight Master Statistic Inquiry

c. Procedure. From the LOLA Main Menu, select the CATTOOLS Inquiry System. Then from the CATTOOLS Main Menu, select the Freight Data Inquiry option and press Enter. The Freight Data Inquiry screen (CATFRT) will be displayed. Enter a complete Freight Code (including NMFC, SUB and UFC) and press Enter. The Freight Master Inquiry screen (CATFMI) will be displayed with a Description, Extended Description, Last Update, NIIN Count, and Less Than Truckload (LTL) Rating.

If you enter just a UFC Code on the Freight Data Inquiry screen (CATFRT) and press Enter, the Freight Master Inquiry screen (CATFMI) will be displayed with your data.

If you enter a Year and Month in the Freight Statistics Inquiry field and press Enter, the Freight Master Statistics Inquiry screen (CATFMS) will display the Master Freight Table and the Extended Description Freight Table for the Month and Year entered. You may then print the data.

d. Special Features. When entering Inquiry data on screen CATFRT, all three fields in the Freight Master Inquiry section must be entered or the user may enter just a UFC Code in this section. The user cannot enter data in the Freight Master Inquiry and the Freight Statistics Inquiry sections.

e. Data Features. None.

f. Considerations. If a valid search criteria is not entered, an error message will appear at the bottom of the screen.

16.9.5 CATTOOLS MGMT/FSC Data Inquiry

a. Task Description. This task allows the user to view Management/FSC Data.

b. Screen Displays. The following screens may display during this procedure. For specific information about a screen, see [Appendix A](#).

CATFMS - Management FSC Inquiry

CATMFD - Management FSC Data

CATMFP - Management FSC Pick List

c. Procedure. From the LOLA Main Menu, select the CATTOOLS Inquiry System. Then from the CATTOOLS Main Menu, select the MGMT/FSC Data Inquiry option and press Enter. The Management FSC Inquiry screen (CATFMS) is displayed. Enter a FSC and press Enter. The Management FSC Data screen (CATMFD) is displayed. This screen contains the current FSC data and the History/Future FSC data.

You may also submit an inquiry on the management FSC inquiry screen (CATFMS) for the Date Established, Date Effective or Date Changed. You cannot use these options in conjunction with the FSC. Enter a date or date range in one of the three selections and press enter. The Management FSC Pick List screen (CATMFP) is returned. Only one item may be tagged. Tag your item and press F6 (Process). The Management FSC Data screen (CATMFD) is displayed. The current FSC Data and History/Future FSC data is shown. You may then print the data.

d. Special Features. When entering data on the screen CATFMS, you cannot enter an FSC with dates. It must be entered alone. The date fields cannot be entered with an FSC. They must be entered alone.

e. Data Features. None.

f. Considerations. If a valid search criteria is not entered, an error message will appear at the bottom of the screen.

16.9.6 CATTOOLS AMMO Code Data Inquiry

a. Task Description. This task allows the user to view AMMO Code Data.

b. Screen Displays. The following screens may display during this procedure. For specific information about a screen, see [Appendix A](#).

CATAMC - AMMO Code Inquiry

CATAMD - AMMO Code Data

c. Procedure. From the LOLA Main Menu, select the CATTOOLS Inquiry System. Then from the CATTOOLS Main Menu, select the AMMO Code Data Inquiry option and press Enter. The AMMO Code Inquiry screen (CATAMO) is displayed. Enter an AMMO Code and press Enter. The AMMO Code data screen (CATAMD) is displayed. This screen displays the AMMO Code, INC, Status Code, Date Established/Cancelled and a description of the AMMO Code. You may then print the data.

d. Special Features. None

e. Data Features. None.

f. Considerations. If a valid search criteria is not entered, an error message will appear at the bottom of the screen.

CHAPTER 10

LOLA PROCEDURES QUICK INFORMATION SUBSYSTEM PROCESSING REFERENCE GUIDE

16.10.1 Processing Reference Guide

This section provides the End-User with the how-to-use technical information necessary to use LOLA Procedures Quick Information programs.

a. Capabilities. The LOLA Procedures Quick Information programs will allow End-Users to request specific types of information and then view the responding information on-line. The user may perform searches for the following:

- (1) Acronyms
- (2) Data Element Definitions
- (3) Edit/Validation Criteria
- (4) Table Inquiry
- (5) Return Codes
- (6) DIC/Segment Format

b. Conventions. Conventions used for the Federal Logistics Information System (FLIS) are described in paragraph [16.3.2.b](#) of this manual. Conventions used within the LOLA Procedures Quick Information Application include pre-formatted data views and screen entry requirements. These are explained (with instructions) in [Appendix A](#).

c. Processing Procedures. Processing procedures for LOLA Procedures Quick Information are provided in paragraphs 16.10.2 through 16.10.7 of this manual. These procedures provide step-by-step instructions for performing each of the LOLA Procedures Quick Information tasks.

16.10.2 Acronym Inquiry

a. Task Descriptions. This task will allow the End-User to Inquiry/Search for Acronyms as defined in DoD 4100.39-M, Volume 12. This will provide the user with a full meaning of the acronym Entered. A full or partial acronym may be searched. An Index is also provided to assist the user in choosing the acronym to be searched.

b. Special Access. For special access, the End-User must check with the facility security administrator.

c. Screen Displays. The following screens may be displayed during this procedure. For specific information about a screen, see [Appendix A](#).

PROACQ - Acronym Inquiry Search Screen

PROACX - Acronym Index Search Screen

d. Procedure. From the LOGRUN Main Menu, move the cursor to the Procedures Quick Information (PROQIK) selection and press the Enter key to select this option.

The Quick Information main screen will be displayed. Position the cursor to the Acronym screen (PROACQ) and press the Enter key.

At this point, the Acronym Inquiry Search screen (PROACQ) will be displayed. Enter a full or partial acronym and press the Enter key. The Acronym will be displayed with its definition.

When you are finished with this function, press F3 (Prev Menu) to return to the LOGRUN Main Menu.

e. Special Features. To view additional definitions, press F8 (Page Down). To re-display previously viewed definitions, press F7 (Page Up). For an Index of the Acronym, press F5 (INDEX).

f. Data Features. None.

g. Considerations. If a valid search criteria is not Entered, an error message will appear at the bottom of the screen.

16.10.3 Data Element Definitions Inquiry

a. Task Description. This task will allow the End-User to Inquire/Search for Data Elements as defined in DoD 4100.39-M Volume 12. This will provide the user with a full meaning of the data elements Entered. Search can be conducted using a full or partial data element number or data element name. Also, search can be conducted using an Alias. To assist the user in searching, a DRN Index and Name Index is provided.

b. Special Access. For special access, the End-User must check with the facility security administrator.

c. Screen Displays. The following screens may be displayed during this procedure. For specific information about a screen, see [Appendix A](#).

PROELD - Data Element Definitions Screen

PROELR - DRN Name Index Screen

d. Procedure. The Logistics On-line Remote Network (LOGRUN) Main Menu will be displayed. Position the cursor to the Procedures Quick Information (PROQIK) and press the Enter key.

The Quick Information main screen will be displayed. Position the cursor to the Data Element Definitions (PROELD) and press the Enter key.

At this point, the Data Elements screen (PROELD) will be displayed. Enter a full or partial data element, data name or Enter an Alias and press the Enter key.

The definition of the data element, name and alias will be displayed for viewing.

If the data element number to search is not available, the user may press F5 to display DRN's on Number sequence or F6 to display DRN's by Name sequence. Enter an 'X' on the DRN desired and press the Enter key. The Data Element Definition (PROELD) screen will be displayed.

When you are finished with these functions, press F3 (Prev Menu) to return to the Logistics On-line Remote Network Main Menu.

e. Special Features. To view additional definitions, press F8 (Page Down). To re-display previously viewed definitions, press F7 (Page Up).

f. Data Features. None.

g. Considerations. None.

16.10.4 Edit/Validation Inquiry

a. Task Description. This task will provide the End User with a definition of Return Code in combination with the DIC (Document Indicator Code) or Data-Group, DRN (Data Return Code) and Return Code.

b. Special Access. For special access, the End-User must check with the facility security administrator.

c. Screen Displays. The following screens may be displayed during this procedure. For specific information about a screen, see [Appendix A](#).

PROEDV - Edit/Validation Screen

d. Procedure. From the LOGRUN Main Menu, move the cursor to the Procedures Quick Information (PROQIK) selection and press the Enter key to select this option.

The Quick Information main screen will be displayed. Position the cursor to the Edit/Validation criteria screen (PROEDV) and press the Enter key.

The Edit/Validation screen (PROEDV) will be displayed. Enter the Data-Group or DIC, Return Code and DRN and press the Enter key.

The definition for the DIC or Data-Group, Return Code and DRN will be displayed.

When you are finished with this function, press F3 (Prev Menu) to return to the LOGRUN Main Menu.

e. Special Features. To display additional definitions, press F8 (Page Down). To re-display previously viewed definitions, press F7 (Page Up). To display the notes screen, press F11 (NOTES).

f. Data Features. None.

g. Considerations. If a valid search criteria is not Entered, an error message will appear at the bottom of the screen.

16.10.5 Table Inquiry

a. Task Descriptions. This task will allow the End-User to Inquiry/Search for Tables and their names, codes and definitions as stated in the FLIS Procedures manual, Volume 10. An Index of Tables is provided to allow the user to verify the Tables available for inquiry.

b. Special Access. For special access, the End-User must check with the facility security administrator.

c. Screen Displays. The following screens may be displayed during this procedure. For specific information about a screen, see [Appendix A](#).

[PROTAB](#) - Table Inquiry Screen
[PROIDX](#) - Table Index Inquiry Screen
[PRORP1](#) - Table Inquiry Reply Screen
[PRORP2](#) - Table Inquiry Reply Screen
[PRORP3](#) - Table Inquiry Reply Screen
[PRORP4](#) - Table Inquiry Reply Screen
[PRORP5](#) - Table Inquiry Reply Screen
[PRORP6](#) - Table Inquiry Reply Screen
[PRORP7](#) - Table Inquiry Reply Screen
[PRORP8](#) - Table Inquiry Reply Screen
[PRORP9](#) - Table Inquiry Reply Screen
[PROR10](#) - Table Inquiry Reply Screen
[PROR11](#) - Table Inquiry Reply Screen
[PROR13](#) - Table Inquiry Reply Screen
[PROR14](#) - Table Inquiry Reply Screen
[PROR15](#) - Table Inquiry Reply Screen
[PROR17](#) - Table Inquiry Reply Screen
[PROR18](#) - Table Inquiry Reply Screen
[PROR19](#) - Table Inquiry Reply Screen
[PROR20](#) - Table Inquiry Reply Screen
[PROR21](#) - Table Inquiry Reply Screen
[PROR22](#) - Table Inquiry Reply Screen
[PROR25](#) - Table Inquiry Reply Screen
[PROAD1](#) - Table Additional Replies Screen
[PROAD2](#) - Table Additional Replies Screen

d. Procedure. From the LOGRUN Main Menu, move the cursor to the Procedures Quick Information (PROQIK) selection and press the Enter key to select this option.

The Quick Information main screen will be displayed. Position the cursor on the Table Inquiry line and press the Enter key.

At this point, the Table Inquiry screen (PROTAB) will be displayed. Enter a table number or table name and press the Enter key.

When you are finished with this function, press F3 (Prev Menu) to return to the LOGRUN Main Menu.

e. Special Features. To view additional definitions, press F8 (Page Down). To re-display previously viewed definitions, press F7 (Page Up). To view the number index, press F5 (NBRINDEX). To view the Name Index, press F6 (NAMEINDEX).

f. Data Features. None.

g. Considerations. If a valid search criteria is not Entered, an error message will appear at the bottom of the screen.

16.10.6 Return Code Inquiry

a. Task Description. This task will provide the End-User with a definition of Return Codes.

b. Special Access. For special access, the End-User must check with the facility security administrator.

c. Screen Displays. The following screens may be displayed during this procedure. For specific information about a screen, see [Appendix A](#).

PRORC1 - Return Code Inquiry Screen

d. Procedure. From the LOGRUN Main Menu, move the cursor to the Procedures Quick Information (PROQIK) and press the Enter key to select this option.

The Quick Information main screen will be displayed. Position the cursor next to Return Codes (PRORC1) and press the Enter key.

The Return Code screen (PRORC1) will be displayed. Enter the Return Code desired and press the Enter key.

The definition for the Return Code will be displayed.

When you are finished with this function, press F3 (Prev Menu) to return to the LOGRUN Main Menu.

e. Special Features. To view additional definitions, press F8 (Page Down). To re-display previously viewed definitions, press F7 (Page Up). To view an index of Return Codes press F5 (INDEX). To view the definition of Return Action Codes, press F9 (Definition). To view Notes, press F11 (Notes).

f. Data Features. None.

g. Considerations. If a valid search criteria is not Entered, an error message will appear at the bottom of the screen.

16.10.7 DIC/Segment Format Inquiry

a. Task Descriptions. This task will provide the End-User with the definition and contents of a Document Identifier Code (DIC) or segment.

b. Special Access. For special access, the End-User must check with the facility security administrator.

c. Screen Displays. The following screens may be displayed during this procedure. For specific information about a screen, see [Appendix A](#).

PROFOR - DIC/Segment Format

PRODIC - Document Identifier Code Format

PROINS - Instructions

PRONOT - Instructions/Notes

PROSEG - Segment Formats

PROTTL - Alphabetic Index of DIC Titles

PRONTE - Notes or Definition

PROPAR - Variable Length Segment Parameters

d. Procedure. From the LOGRUN Main Menu, move the cursor to the Procedure Quick Information (PROQIK) selection and press the Enter key to select this option.

The Quick Information Main screen will be displayed. Position the cursor to the DIC/Segment Format (PROFOR) and press the Enter key.

The DIC/Segment Format screen (PORFOR) will be displayed. Enter the DIC or Segment and Fixed or Variable and press the Enter key.

The contents of that DIC or Segment will be displayed.

When you are finished with this function, press F3 (Prev Menu) to return to the LOGRUN Main Menu.

e. Special Features. To view additional data, press F8 (PAGE DOWN). To re-display previously viewed data, press F7 (Page Up). To view the Alphabetic Index of DIC Titles, Press F5 (INDEX).

f. Data Features. None.

g. Considerations. If a valid search criteria is not Entered, an error message will appear at the bottom of the screen.

16.10.8 Related Processing

There is no related processing that concerns the End-User.

16.10.9 Data Backup

The End-User will not have responsibility for backup procedures related to FLIS. All back-ups are performed by the DISA Megacenter in Columbus, Ohio.

16.10.10 Recovery from Errors and Malfunctions

See [Appendix B](#), Error Messages and Recovery Procedures.

16.10.11 Messages

See [Appendix B](#), Error Messages and Recovery Procedures.

CHAPTER 11

LOLA ON-LINE UPDATE PROCESSING REFERENCE GUIDE

16.11.1 Processing Reference Guide

This section provides the end-user with the how-to use technical information necessary to use LOLA Update programs. See [Appendix A](#).

16.11.2 Capabilities

The LOLA On-line Update applications allows end-users to submit NIIN Assignments and Reinstatements, Adds, Changes, and Deletes to Data Groups and Data Elements.

The end-user submits transactions by selecting from a menu the type of transaction they would like to perform. They then enter identifying information for the transaction, then move on to the input screens. All screens are menu driven or have prompts for the user.

16.11.3 Conventions

Conventions used for the Federal Logistics Information System (FLIS) are described in Section [16.3.2.b](#) of this manual. Conventions used within the LOLA Application include pre-formatted data views and screen entry requirements. These are explained (with instructions) in [Appendix A](#).

APPENDIX A
PART 1 SCREEN LAYOUTS

This Appendix provides a cross reference of the inquiry screen codes (SCRNCD) and the screen title associated with that code.

<u>SCRNCD</u>	<u>SCREEN TITLE</u>
<u>CATACC</u>	Inquiry By Associated CAGE
<u>CATACI</u>	Inquiry by ADP/CAO
<u>CATAMC</u>	AMMO Code Inquiry
<u>CATAMD</u>	AMMO Code Data
<u>CATCAG</u>	CAGE Code Inquiry
<u>CATCFI</u>	Freight Inquiry by UFC Code
<u>CATCGC</u>	Inquiry By Changed CAGE Data
<u>CATCLR</u>	CAGE Code Notes
<u>CATDCL</u>	Debarment CAGE Code List
<u>CATFMI</u>	Freight Master Inquiry
<u>CATFMS</u>	Freight Master Statistic Inquiry
<u>CATFRT</u>	Freight Data Inquiry
<u>CATICN</u>	CAGE Code Inquiry Pick List
<u>CATIDC</u>	Inquiry by Debarment Code
<u>CATINQ</u>	CATTOOLS Main Menu
<u>CATMFD</u>	Management FSC Data
<u>CATMFP</u>	Management FSC Pick List
<u>CATMFS</u>	Management FSC Inquiry
<u>CATMOL</u>	MOE Rule Inquiry
<u>CATMOP</u>	MOE Rule Pick List
<u>CATXCC</u>	CAGE Code Name Address Date
<u>CATXC2</u>	CAGE Code Inquiry Data
<u>CATXME</u>	MOE Master Exclusive FSG/FSC
<u>CATXMI</u>	MOE Master Inclusive FSG/FSC
<u>CATXMN</u>	MOE Master Management Inquiry

<u>SCRNCD</u>	<u>SCREEN TITLE</u>
<u>CATXMR</u>	MOE Master Inquiry
<u>LOLBAS</u>	Basic Reference Data
<u>LOLCAN</u>	Canceled NIIN
<u>LOLCCD</u>	Item CAGE Pick List
<u>LOLCHG</u>	Get INC/FSC Effective Dated Changes
<u>LOLCHS</u>	Start Characteristic Search
<u>LOLCNM</u>	CAGE Code Pick List
<u>LOLCOD</u>	Coded Characteristics
<u>LOLDEC</u>	Decoded Characteristics
<u>LOLDES</u>	FSC Data
<u>LOLDIM</u>	MRC Reply Selection (Dimensions)
<u>LOLELE</u>	Data Element Maintenance Screen
<u>LOLFCH</u>	FSC Change Data
<u>LOLFGR</u>	FIIG Search Response
<u>LOLFRT</u>	Freight Data
<u>LOLFSC</u>	FSC Description
<u>LOLFSG</u>	Federal Supply Group Titles (H2-1 Contents)
<u>LOLGRP</u>	Data Group Maintenance Screen
<u>LOLIAS</u>	I&S Data
<u>LOLICH</u>	Item Name Change Data
<u>LOLIDD</u>	Identification Data
<u>LOLINC</u>	Item Name Definition
<u>LOLIND</u>	Item Name Data
<u>LOLINM</u>	INC Pick List
<u>LOLINP</u>	Item INC Pick List
<u>LOLINQ</u>	Start Inquiry
<u>LOLINR</u>	Item Name/Keyword Search Response
<u>LOLMGT</u>	Management Data
<u>LOLMLT</u>	MRC Reply Selection (Multiple Tables)
<u>LOLMOD</u>	MOE Rule Data Decoded
<u>LOLMOE</u>	MOE Rule Data Coded

<u>SCRNCD</u>	<u>SCREEN TITLE</u>
<u>LOLMRC</u>	MRC Pick List
<u>LOLMUL</u>	Multiple NIIN Inquiry
<u>LOLNOT</u>	FSG Group Notes
<u>LOLNUM</u>	MRC Reply Selection (Numbers)
<u>LOLOUT</u>	Select Inquiry Output Options
<u>LOLPA1</u>	Packaging Data Screen 1
<u>LOLPA2</u>	Packaging Data Screen 2
<u>LOLPHR</u>	Phrase Data
<u>LOLPKG</u>	Packaging Data PICA
<u>LOLPNR</u>	Item PN Pick List
<u>LOLREQ</u>	Requisition Data
<u>LOLRES</u>	Characteristics Search Results
<u>LOLSAC</u>	MRC SAC Selection Screen
<u>LOLSGV</u>	Characteristics Data Screen
<u>LOLSRC</u>	Start FSG/FSC Item Name Search
<u>LOLSTD</u>	Standardization Data
<u>LOLSUP</u>	CAGE/Supplier Data
<u>LOLTBJ</u>	DAAS SOS Record
<u>LOLTBL</u>	MRC Reply Selection (Tables)
<u>LOLTOL</u>	MRC Reply Selection (Tolerances)
<u>LOLTXR</u>	MRC Reply Selection (Text)
<u>LOLXRF</u>	Reference/Part Number Data
<u>LOPAK1</u>	PACKAGING DATA SCREEN 1
<u>LOPAK2</u>	PACKAGING DATA SCREEN 2

***EXPERT NAVIGATION LIMITATIONS:**

The following are the only LOLA screens that may be directly invoked using Expert Navigation:

1. LOLINQ - Start Inquiry Screen
2. LOLCHS - Start Characteristics Search Screen
3. LOLSRC - Start FSG/FSC Item Name Search Screen

Within any LOLA Subsystem screen, you may jump to any of the screens available to your

group. This is defined in the Table REC-MENU3.

A.1 CATAACC - Inquiry By Associated CAGE

SCRNCD: CATAACC LOGISTICS ON-LINE ACCESS DATE: 31-OCT-00
USERID: XXXXXXX INQUIRY BY ASSOCIATED CAGE TIME: 12:58

SEARCH CAGE CODE: 13030 PARENT CAGE CODE: 50587

CAGE	PARENT	AFF	COMPANY NAME	CITY	STATE
25885	50587	A	ALLOYS UNLIMITED INC	HUNTINGTON STATION	NY
K1945	50587	A	ARCOTRONICS SCOTLAND LTD		
06964	50587	A	ASTRODATA SYSTEMS CORP	ANAHEIM	CA
K7033	50587	A	G E C AEROSPACE LTD		
K6036	50587	A	G E C MARCONI DEFENCE SYSTEMS LTD		
0W878	50587	A	GEC MARCONI AVIONICS INC	NORCROSS	GA
0WAH2	50587	D	GEC PLESSEY NAVAL SYSTEMS INC	RESTON	VA
0YB93	50587	A	GEC PLESSEY SEMICONDUCTORS INC	DEDHAM	MA
19276	50587	D	GEC PRECISION CORP	WELLINGTON	KS
2A508	50587	A	GEC-MARCONI ELECTRONIC SYSTEMS CORP	WAYNE	NJ
4D662	50587	A	GEC-MARCONI ELECTRONIC SYSTEMS CORP	TORRANCE	CA
53469	50587	D	MITEL SEMICONDUCTOR AMERICANS INC	SCOTTS VALLEY	CA

TOTAL RECORDS FOUND: 43

** MORE **

<MSG 1299> ONLY ONE ITEM MAY BE TAGGED

F1=HELP F2=CLEAR SCR F3=PREV MENU F4=MAIN MENU F5=CANCEL F6=PROCESS
F7= F8=PAGE DOWN F9= F10= F11= F12=

a. Screen Explanation. This screen displays a list of CAGE Codes resulting from the search.

b. Field Entry Requirements. The valid field entries are described below.

(1) Field Name:	TAG
Entry Requirements:	Must be entered only as a single entry.
Valid Entries:	X
Results:	Transfer to the Expanded CAGE Code Inquiry (CATXCC) screen when F6 (Process) is pressed.

c. Available Function Keys. The following unique function keys may be used from the Basic Reference Data screen. All standardized FLIS function keys are available. Refer to Section [16.3.2.e](#) of this document.

F5	Cancel	Cancels current search and returns to the screen where the search was started.
F6	Process	Displays the Expanded CAGE Code Inquiry (CATXCC) screen for the CAGE Code selected.
F7	Page Up	Displays the prior page of the current file being viewed.
F8	Page Down	Displays the next page of the current file being viewed.

a. Screen Explanation. This screen allows the user to enter the criteria to initiate an ADP/CAO search.

b. Field Entry Requirements. The valid field entries are described below.

- | | | |
|-----|--------------------|---|
| (1) | Field Name: | ZIP-CODE |
| | Entry Requirement: | 5-digit valid Zip Code |
| | Valid Entries: | Valid Zip Code |
| | Results: | Displays Zip Codes within the appropriate range. |
| (2) | Field Name: | CAO CODE |
| | Entry Requirement: | 6-digit CAO Code |
| | Valid Entries: | Valid CAO Code |
| | Results: | Displays CAO Codes within the appropriate search. |
| (3) | Field Name: | STATE/POSESSION ABBREVIATION |
| | Entry Requirement: | 2-digit State Abbreviation |
| | Valid Entries: | Valid State Abbreviation |
| | Results: | Displays State Abbreviation data which have ADP/CAO that match. |
| (4) | Field Name: | ADP POINT CODE |
| | Entry Requirement: | 5-digit ADP Code |
| | Valid Entries: | ADP Code |
| | Results: | Display ADP/CAO data that match the ADP Point Code entered. |

c. Available Function Keys. The following unique function keys may be used from the Basic Reference Data screen. All standardized FLIS function keys are available. Refer to Section [16.3.2.e](#) of this document.

- | | | |
|-----|--------|---|
| F5 | Cancel | Cancels current search and returns to the screen where the search was started. |
| F11 | Print | Sends the information displayed to the printer associated with your terminal. Available only after special access has been granted by the security administrator for your facility. |

A.3 CATAMC - AMMO Code Inquiry Screen

SCRNCD: CATAMC	LOGISTICS ON-LINE ACCESS	DATE:
USERID: XXXXXXX	AMMO CODE INQUIRY	TIME:

ENTER AMMO CODE: ____

<MSG 0493> ENTER NEW CRITERIA AND PRESS <ENTER> KEY

F1=HELP	F2=CLEAR SCR	F3=PREV MENU	F4=MAIN MENU	F5=	F6=
F7=	F8=	F9=	F10=	F11=	F12=USER PROFILE

a. Screen Explanation. This screen is displayed after the user tabs to the AMMO Code Inquiry on the LOLA Main Menu Screen.

b. Field Entry Requirements. The valid field entries are described below.

- | | |
|--------------------|---|
| (1) Field Name: | Enter AMMO Code |
| Entry Requirement: | Mandatory 4-digit |
| Valid Entries: | Any valid alpha-numeric AMMO Code |
| Results: | The AMMO Code Detail Data screen (CATAMD) is displayed when the user presses <ENTER>. |

c. Available Function Keys. The following unique function keys may be used from the AMMO Code Inquiry screen. All standardized FLIS function keys are available. Refer to Section [16.3.2.e](#) of this document.

F5 Cancel	Cancels current search/inquiry and returns control to the previously displayed screen.
-----------	--

a. **Screen Explanation.** This screen is displayed after the user enters an AMMO Code and presses Enter from the AMMO Code Inquiry screen (CATAMC).

b. **Field Entry Requirements.** There are no valid field entries for this screen. Other fields shown on the screen are display-only fields and will display data based on the entries made.

c. **Available Function Keys.** The following unique function keys may be used from the AMMO Code Detail Inquiry screen. All Standardized FLIS function keys are available. Refer to Section [16.3.2.e](#) of this document.

F5 Cancel

Cancels current search/inquiry and returns control to the previously displayed screen.

F11 Print

Sends the screen data to a printer associated with your terminal. Available only after special access has been granted by the security administrator for your facility.

A.5 CATCAG - CAGE Code Inquiry

SCRNCD: CATCAG CATALOG TOOLS ON-LINE ACCESS DATE: 02-NOV-00
USERID: XXXXXXX CAGE CODE INQUIRY TIME: 15:19

CAGE CODE: -----

COMPANY NAME: -----

STREET NAME: -----

ZIP CODE: -----

PHONE NUMBER: ----- - ---- - ----

CEC: -----

DUNS NUMBER: -----

CONGRESSIONAL DISTRICT: ----

SIC CODE: -----

TAX ID: -----

REPLACEMENT CAGE: -----

ASSOCIATED CAGE: -----

DEBARMENT CODE: _ (D, P, OR S)

<MSG 0680> PRESS APPROPRIATE PF KEY OR <ENTER> TO PROCESS.

F1=HELP F2=CLEAR SCR F3=PREV MENU F4=MAIN MENU F5=ADP/CAO F6=
F7= F8= F9= F10= F11= F12=PRT SETUP

- a. Screen Explanation. This screen allows the user to enter search criteria for an inquiry.
- b. Field Entry Requirements. The valid field entries are described below.

- | | | |
|-----|---------------------|---|
| (1) | Field Name: | CAGE CODE |
| | Entry Requirements: | May be entered only as a single entry. |
| | Valid Entries: | Any valid CAGE Code and press enter. The CAGE Code is all numeric or a combination of alphanumeric. |
| | Results: | Sends output as defined on the CAGE Code Name/Address Data (CATXCC) screen. |
| (2) | Field Name: | COMPANY NAME |
| | Entry Requirement: | A full or partial company name may be entered. |
| | Valid Entries: | Any full or partial company name. |
| | Results: | Transfers to the CAGE Code Inquiry Pick List (CATICN) screen. |
| (3) | Field Name: | STREET NAME |
| | Entry Requirements: | May inquire by number address and/or partial or full street name. |
| | Valid Entries: | Full or partial street address. |
| | Results: | Transfers to the CAGE Inquiry Pick List (CATICN) screen. |
| (4) | Field Name: | ZIP CODE |
| | Entry Requirements: | May inquire by zip code (5 digit). |
| | Valid Entries: | Five digit zip code. |
| | Results: | Transfers to the CAGE Inquiry Pick List (CATICN) screen. |
| (5) | Field Name: | PHONE NUMBER |
| | Entry Requirements: | May inquire by full 10 digit phone number required. |
| | Valid Entries: | Ten digit telephone number. |
| | Results: | Transfers to the CAGE Code Name/Address Data (CATXCC) screen. |
| (6) | Field Name: | CEC |

- Entry Requirements: May inquire by the Contractor Establishment Code (CEC). This is a 9 position alphanumeric government owned code which represents a basic business organization.
- Valid Entries: Nine digit alphanumeric code.
- Results: Transfers to the CAGE Code Name/Address Data (CATXCC) screen. To see CEC, press F6 (more data) and you are transferred to the CAGE Inquiry Data (CATXC2) screen.
- (7) Field Name: DUNS NUMBER
- Entry Requirements: May inquire by a 9 position numeric code that provides a cross-reference to the civilian sectors of the government.
- Valid Entries: Nine-position numeric code.
- Results: Transfers to the CAGE Code Name/Address Data (CATXCC) screen. To see CEC, press F6 (more data) and you are transferred to the CAGE Inquiry Data (CATXC2) screen.
- (8) Field Name: CONGRESSIONAL DISTRICT
- Entry Requirements: A three-digit code which designates a Federal Congressional District within a particular State, (U.S. codes only).
- Valid Entries: A valid three digit numeric code.
- Results: Transfers to the CAGE Code Inquiry Pick List (CATIC2) screen. A pick list is displayed. The user makes a selection and is transferred to the CAGE Code Name/Address Data (CATXCC) screen. To view the Congressional District information, press F6 (more data) and you are transferred to the CAGE Code Inquiry Data (CATXC2) screen.
- (9) Field Name: SIC CODE (Standard Industrial Classification Code)
- Entry Requirements: A four-position numeric code used to identify business activity and function, (manufacturer, wholesaler, etc.) and the line of business in which they are engaged (may be up to 4 SICs per Cage Codes).
- Valid Entries: A valid four-digit numeric code.

- Results: Transfers to the CAGE Code Inquiry Pick List (CATIC2) screen. A pick list is displayed. The user makes a selection and is transferred to the CAGE Code Name/Address Data (CATXCC) screen. To view the SIC Code(s), press F6 (more data) and you are transferred to the CAGE Code Inquiry Data (CATXC2) screen.
- (10) Field Name: TAX ID
Entry Requirements: A unique 9-digit code assigned by the Treasury Department for all businesses. This is a tax identification number.
Valid Entries: A unique 9-digit code.
Results: Transfers to the CAGE Code Name/Address Data (CATXCC) screen. To view the TAX ID number, press F6 (more data) and you are transferred to the CAGE Inquiry Data (CATXC2) screen. The TAX ID number is by the Company-TIN (TAX ID Number).
- (11) Field Name: REPLACEMENT CAGE
Entry Requirements: Enter a 5-digit alphanumeric or all numeric code.
Valid Entries: A valid numeric or alphanumeric 5-digit code
Results: Transfers to the CAGE Code Name/Address Data (CATXCC) screen. This shows the old and replacement CAGE Codes.
- (12) Field Name: ASSOCIATED CAGE
Entry Requirements: Enter a 5 digit numeric or alphanumeric code.
Valid Entries: A 5 digit numeric or alphanumeric code.
Results: Transfers to the Inquiry by Associated CAGE (CATACC) screen. A pick list is displayed. Make a selection and you are transferred to the CAGE Code Name/Address Data (CATXCC) screen.
- (13) Field Name: DEBARMENT CODE
Entry Requirements: A one digit alpha character.
Valid Entries: Select D for debarred, P for proposed debarment or S for suspended.
Results: Transfers to the Debarment CAGE Code List (CATDCL) for debarred codes, proposed debarred codes and suspended codes. A pick list is displayed. Make a selection and you are transferred to the Inquiry by Debarment Code (CATIDC) screen.

c. Available Function Keys. The following unique function keys may be used from the CAGE Code Inquiry screen. All standardized FLIS function keys are available. Refer to Section [16.3.2.e](#) of this document.

F5	ADP/CAO	Transfers to the Inquiry by ADP/CAO (CATACI) screen.
F10	Print Setup	Transfers to the User Profile Information (CATPRT) screen.

The system limits the number of matches you will see on-line for CAGE Code, Company Name, Zip Code, Congressional District, Replacement CAGE, Associated CAGE and Debarment Code.

Or to obtain additional matches for this search, call or forward your request to DLIS's Customer Service Office 1-888-352-9333, email: dlis-support@dlis.dla.mil. Please specify how you want the output.

A.6 CATCFI - Freight Inquiry by UFC Code Screen

SCRNCD: CATCFI LOGISTICS ON-LINE ACCESS DATE: 01-NOV-00
USERID: XXXXXXX FREIGHT INQUIRY BY UFC CODE TIME: 10:47

UFC CODE: 11510

TAG	NMFC	SUB	LAST	CLASS	NIIN	DESCRIPTION
	CODE		UPDATE	RATING	COUNTS	
-	024540	A		Z	00000000	BOAT/SECTION VIZ SUB1
-	024540	B		Z	00000000	BOAT/SECTION VIZ SUB2
-	024540	C		A	00000000	BOAT/SECTION VIZ: SUB 3
-	024540	D		B	00000000	BOAT/SECTION VIZ: SUB 4
-	024540	F		B	00000000	BOAT/SECTION VIZ: SUB 6
-	024540	G		D	00000000	BOAT/SECTION VIZ: SUB 7
-	024540	H		D	00000000	BOAT/SECTION VIZ: SUB 8
-	024540	J		G	00000000	BOAT/SECTION VIZ: SUB 9
-	024540	Z		W	00000000	BOAT/SECTION VIZ:

** END OF DATA **

<MSG 0520> PRESS APPROPRIATE PF KEY FOR THE PROCESSING DESIRED

F1=HELP F2=CLEAR SCR F3=PREV MENU F4=MAIN MENU F5=CANCEL F6=PROCESS
F7= F8= F9= F10= F11= F12=

a. Screen Explanation. This screen is displayed when the users enters a UFC Code on the Freight Data Inquiry screen (CATFRT). The user is presented with a listing of Freight Codes for inquiry.

When multiple screens are needed to display information, <MORE DATA> or <END OF DATA> will appear at the bottom of the screen. The last screen in the series will also display the Totals for all fields.

b. Field Entry Requirements. The valid field entries are described below.

(1) Field Name:	TAG
Entry Requirement:	Optional
Valid Entries:	X
Results:	After a Freight Code is tagged and F6 is pressed, the Freight Master Inquiry screen (CATFMI) is displayed.

c. Available Function Keys. The following unique function keys may be used from the UFC - Freight Code Pick List screen. All standardized FLIS function keys are available. Refer to Section [16.3.2.e](#) of this document.

F5	CANCEL	Cancels current search/inquiry and returns control to the previously displayed screen.
F6	Process	Transfers control to the Freight Master Inquiry screen (CATFMI).

- a. This screen allows the user to inquiry when changes have been made to the CAGE Codes.
- b. Field Entry Requirements. There are no field entries for this screen.
- c. Available Function Keys. The following unique function keys may be used from the FSC Change Data screen. All standardized FLIS function keys are available. Refer to Section [16.3.2.e](#) of this document.

F5 Cancel

Cancels current search and returns to the screen where the search was started.

- a. Screen Explanation. This screen will display the clear text data for a CAGE Code.
- b. Field Entry Requirements. There are no field entries for this screen.
- c. Available Function Keys. The following unique function keys may be used from the FSC Change Data screen. All standardized FLIS function keys are available. Refer to Section [16.3.2.e](#) of this document.

F5 Cancel

Cancels current search and returns to the screen where the search was started.

A.9 CATDCL - Debarment CAGE Code List.

SCRNCD: CATDCL LOGISTICS ON-LINE ACCESS DATE: 01-NOV-00
USERID: XXXXXXX DEBARMENT CAGE CODE LIST TIME: 13:17

DEBARMENT CODE: D

TAG	CAGE	DATE-EST	COMPANY	CITY
_	0CG11	03 - 21 - 88	ABC PACKAGING CO	MESQUITE
_	6AU99	03 - 18 - 92	ABESCO INC	GARDENA
_	0AZ16	05 - 21 - 87	ABESCO INDUSTRIES	GARDENA
_	4H379	03 - 15 - 74	ABRASIVE ENGINEERING TOOL	GARDENA
_	0UJA6	10 - 15 - 92	ADVANCED AEROSPACE INC	VALENCIA
_	6AZ25	03 - 02 - 93	ADVANCED AEROSPACE INTERN	VALENCIA
_	15992	10 - 25 - 74	AEROPARTS MFG AND REPAIR	RIO RANCHO
_	6AC99	09 - 27 - 89	AEROSPACE SERVICES AND TE	MILFORD
_	6AH16	11 - 29 - 89	AGOODS AND ASSOCIATES	LYONS
_	6AT92	01 - 15 - 92	ALLIED PETRO INC	HOUSTON
_	0CE69	03 - 08 - 88	ALLIED REFINING INC	HOUSTON
_	63084	05 - 13 - 83	AMALGAMATED COAL AND PETR	FORT WAYNE
_	6AB18	09 - 26 - 89	AMERICAN APPAREL OF OROCO	MAYAGUEZ

** MORE **

<MSG 0658> SELECT ONE ITEM AND PRESS PF KEY

F1=HELP F2=CLEAR SCR F3=PREV MENU F4=MAIN MENU F5=CANCEL F6=PROCESS
F7= F8=PAGE DOWN F9= F10= F11= F12=

a. Screen Explanation. This screen displays a list of Debarred companies that resulted in the Debarment Code search.

b. Field Entry Requirements. The valid field entries are described below.

- | | |
|---------------------|---|
| (1) Field Name: | TAG |
| Entry Requirements: | Must be entered only as a single entry. |
| Valid Entries: | X |
| Results: | Transfers to the Inquiry by Debarment Code (CATIDC) screen. |

c. Available Function Keys. The following unique function keys may be used from the Decoded Characteristics screen. All standardized FLIS function keys are available. Refer to Section [16.3.2.e](#) of this document.

- | | | |
|----|-----------|--|
| F5 | Cancel | Cancels current search and returns to the screen where the search was started. |
| F6 | Prev NSN | Transfers to the Inquiry by Debarment Code (CATIDC) screen. |
| F7 | Page Up | Displays the prior page of the current file being viewed. |
| F8 | Page Down | Displays the next page of the current file being viewed. |

a. **Screen Explanation.** This screen is displayed after the user enters a complete Freight Code on the Freight Data Inquiry screen (CATFRT) or selects a Freight Code from the Freight Inquiry by UFC Code screen (CATCFI).

b. **Field Entry Requirements.** There are no valid field entries for this screen. Other fields shown on the screen are display-only fields and will display data based on the entries made.

c. **Available Function Keys.** The following unique function keys may be used from the Freight Master Inquiry screen. All Standardized FLIS function keys are available. Refer to Section [16.3.2.e](#) of this document.

F5 Cancel

Cancels current search and returns to the screen where the search was started.

F11 Print

Sends the information displayed to the printer associated with your terminal. Available only after special access has been granted by the security administrator for your facility.

A.11 CATFMS - Freight Master Statistic Inquiry Screen

SCRNCD: CATFMS LOGISTICS ON-LINE ACCESS DATE: 01-NOV-00
USERID: XXXXXXX FREIGHT MASTER STATISTIC INQUIRY TIME: 15:13

MONTH AND YEAR: 101999

MASTER FREIGHT TABLE

TOTAL CURRENT MONTH		TOTAL CURRENT YEAR	
ADDS	0000	ADDS	0105
CHANGES	0000	CHANGES	0151
DELETES	0000	DELETES	0076

EXTENDED DESCRIPTION FREIGHT TABLE

TOTAL CURRENT MONTH		TOTAL CURRENT YEAR	
ADDS	0000	ADDS	0001
CHANGES	0000	CHANGES	0000
DELETES	0000	DELETES	0000

<MSG 0520> PRESS APPROPRIATE PF KEY FOR THE PROCESSING DESIRED

F1=HELP F2= F3=PREV MENU F4=MAIN MENU F5=CANCEL F6=
F7= F8= F9= F10= F11=PRINT F12=

a. **Screen Explanation.** This screen is displayed after the user enters a Date in MMCCYY format on Freight Data Inquiry screen (CATFRT).

b. **Field Entry Requirements.** There are no valid field entries for this screen. Other fields shown on the screen are display-only fields and will display data based on the entries made.

c. **Available Function Keys.** The following unique function keys may be used from the Freight Master Statistics Inquiry screen. All standardized FLIS functions are available. Refer to Section [16.3.2.e](#) of this document.

F5 Cancel

Cancels current search and returns to the screen where the search was started.

F11 Print

Sends the information displayed to the printer associated with your terminal. Available only after special access has been granted by the security administrator for your facility.

A.12 CATFRT - Freight Data Inquiry Screen

SCRNCD: CATFRT LOGISTICS ON-LINE ACCESS DATE: 01-NOV-00
USERID: XXXXXXX FREIGHT DATA INQUIRY TIME: 15:05

FREIGHT MASTER INQUIRY (ENTER A COMPLETE FREIGHT OR UFC)

	NMFC	SUB	UFC
FREIGHT CODE: _____	_____	_____	_____

FREIGHT STATISTICS INQUIRY

ENTER MONTH AND YEAR: _____

<MSG 0494> ENTER VALID CRITERIA

F1=HELP	F2=CLEAR SCR	F3=PREV MENU	F4=MAIN MENU	F5=	F6=
F7=	F8=	F9=	F10=	F11=	F12=

a. Screen Explanation. This screen is displayed when the user selects Freight Data Inquiry from the LOLA Main Menu (LOLA).

b. Field Entry Requirements. The valid field entries are described below.

NOTE: When entering Inquiry data on this screen, all three fields in the Freight Master Inquiry section must be entered or the user may enter just a UFC Code in this section. The user cannot enter data in the Freight Master Inquiry and the Freight Statistics Inquiry sections for a combination search.

- | | | |
|-----|---------------------|--|
| (1) | Field Name: | FREIGHT CODE (NMFC, SUB, UFC) |
| | Entry Requirements: | Optional |
| | Valid Entries: | Valid Freight, SUB, or UFC Code |
| | Results: | The Freight, Inquiry by UFC Code screen (CATCFI) will be displayed if the user entered a UFC Code by itself and there is more than one Freight Code associated with it and F5 was pressed. |
| (2) | Field Name: | FREIGHT STATISTICS INQUIRY (Enter Month and Year) |
| | Entry Requirement: | Optional |
| | Valid Entries: | Valid Year/Month in MMCCYY format |
| | Results: | The Freight Master Statistics Inquiry screen (CATFMS) is displayed with Master Freight Table and Extended Description Freight Table data shown. |

c. Available Function Keys. There are no unique function keys available for this screen.

a. **Screen Explanation.** This screen displays a list of CAGE Codes related to the company inquired by the search.

b. **Field Entry Requirements.** There are no field entries for this screen.

c. **Available Function Keys.** The following unique function keys may be used from the Identification Data screen. All standardized FLIS function keys are available. Refer to Section [16.3.2.e](#) of this document.

F5	Cancel	Cancels current search and returns to the screen where the search was started.
F6	Prev NSN	Displays the previous NSN if more than one NSN was selected.
F7	Page Up	Displays the prior page of the current file being viewed.
F8	Page Down	Displays the next page of the current file being viewed.
F11	Print	Sends the information displayed to the printer associated with your terminal. Available only after special access has been granted by the security administrator for your facility.

- a. **Screen Explanation.** This screen displays the information on a debarred CAGE Code that resulted from the search.
- b. **Field Entry Requirements.** There are no field entries for this screen.
- c. **Available Function Keys.** The following unique function keys may be used from the Identification Data screen. All standardized FLIS function keys are available. Refer to Section [16.3.2.e](#) of this document.

F5	Cancel	Cancels current search and returns to the screen where the search was started.
F7	Prev NSN	Displays the previous CAGE if more than one CAGE was selected.
F8	Next	Displays the next CAGE if more than one CAGE was selected.
F11	Print	Sends the information displayed to the printer associated with your terminal. Available only after special access has been granted by the security administrator for your facility.

- a. **Screen Explanation.** This screen allows the user multiple choices in which to perform a search. This screen is accessed from the LOLA Main Menu (LOLA) screen.
- b. **Field Entry Requirements.** There are no field requirements needed on this screen.
- c. All standardized FLIS function keys are available. Refer to Section [16.3.2.e](#) of this document.

a. **Screen Explanation.** This screen is displayed when the user enters an FSC and/or DATE/DATE-RANGE on the Management FSC Inquiry screen (CATMFS).

b. **Field Entry Requirements.** There are no valid field entries for this screen. Other fields shown on the screen are display-only fields and will display data based on the entries made.

c. **Available Function Keys.** The following unique function keys may be used from the Management FSC Detail screen. All standardized FLIS function keys are available. Refer to Section [16.3.2.e](#) of this document.

F5 Cancel

Cancels current search and returns to the screen where the search was started.

F11 Print

Sends the information displayed to the printer associated with your terminal. Available only after special access has been granted by the security administrator for your facility.

a. **Screen Explanation.** This screen is displayed when the user enters a DATE/DATE-RANGE on the Management FSC/Inquiry screen (CATMFS).

When multiple screens are needed to display information, <MORE DATA> or <END OF DATA> will appear at the bottom of the screen. The last screen in the series will also display the Totals for all fields.

b. **Field Entry Requirements.** The valid field entries are described below.

(1) Field Name:	TAG
Entry Requirement:	Mandatory
Valid Entries:	X
Results:	Transfers to the CATMFD (Management FSC Detail) screen when the user tags one or more FSCs and presses F6 (Process).

c. **Available Function Keys.** The following unique function keys may be used from the Management FSC Pick List screen. All standardized FLIS function keys are available. Refer to Section [16.3.2.e](#) of this document.

F5	Cancel	Cancels current search and returns to the screen where the search was started.
F6	Process	Transfers control to the CATMFD (Management FSC Detail) screen.

a. Screen Explanation. This screen is displayed after the user chooses the CATTOOLS MGMT/FSC Data Inquiry option from the CATTOOLS MAIN MENU (CATINQ), off the LOLA Main Menu.

b. Field Entry Requirements. The valid field entries are described below.

- | | | |
|-----|--------------------|--|
| (1) | Field Name: | ENTER FSC |
| | Entry Requirement: | Optional |
| | Valid Entries: | Any valid numeric FSC Code |
| | Results: | When <Enter> is pressed, the user will be transferred to the CATMFD (Management FSC Detail) screen if only one FSC is found or the CATMFP (Management FSC Pick List) screen if more than one FSC is found. |
| | | |
| (2) | Field Name: | DATE ESTABLISHED |
| | Entry Requirement: | Optional |
| | Valid Entries: | May be entered as a date range or the first field only may be entered. |
| | Results: | When <ENTER> is pressed, the user will be transferred to the CATMFD (Management FSC Detail) screen if only one date range is found for the FSC and date entered or the user will be transferred to the CATMFP (Management FSC Pick List) screen if more than one FSC/date range is found for the data entered. |
| | | |
| (3) | Field Name: | DATE EFFECTIVE |
| | Entry Requirement: | Optional |
| | Valid Entries: | Must be entered as a date range or the first field only may be entered. |
| | Results: | When <ENTER> is pressed, the user will be transferred to the CATMFD (Management FSC Detail) screen if only one date range is found for the FSC and date entered or the user will be transferred to the CATMFP (Management FSC Pick List) screen if more than one FSC/date range is found for the data entered. |
| | | |
| (4) | Field Name: | DATE CHANGED |
| | Entry Requirement: | Optional |
| | Valid Entries: | Must be entered as a date range or the first field only may be entered. |

Results:

When <ENTER> is pressed, the user will be transferred to the CATMFD (Management FSC Detail) screen if only one date range is found for the FSC and date entered or the user will be transferred to the CATMFP (Management FSC Pick List) screen if more than one FSC/date range is found for the data entered.

c. Available Function Keys. There are no unique function keys available for the Management FSC Inquiry screen. All standardized FLIS function keys are available. Refer to Section [16.3.2.e](#) of this document.

A.19 CATMOL - MOE Rule Inquiry Screen

SCRNCD: CATMOL LOGISTICS ON-LINE ACCESS DATE: 02-NOV-00
USERID: XXXXXXX MOE RULE INQUIRY TIME: 10:16

MOE RULE MASTER INQUIRY

MOE RULE NUMBER: _____
EFFECTIVE DATE: __ - __ - __

<MSG 0493> ENTER NEW CRITERIA AND PRESS <ENTER> KEY

F1=HELP	F2=CLEAR SCR	F3=PREV MENU	F4=MAIN MENU	F5=	F6=
F7=	F8=	F9=	F10=	F11=	F12=

a. Screen Explanation. This screen is displayed after the user chooses the CATALOG TOOLS INQUIRY SYSTEM (CATINQ) from the LOLA main menu screen, then choosing CATTOOLS MOE RULE DATA INQUIRY option (CATMOL).

b. Field Entry Requirements. The valid field entries are described below.

- | | | |
|-----|---------------------|--|
| (1) | Field Name: | MOE RULE NUMBER |
| | Entry Requirements: | Optional |
| | Valid Entries: | Valid MOE Rule Code |
| | Results: | The MOE Rule EFF-DATE Pick List (CATMOP) screen is displayed if a MOE Rule was entered without an Effective Date or the MOE Master Inquiry screen (CATXMR) when a MOE Rule Code and an Effective Date are entered. |
| (2) | Field Name: | EFFECTIVE DATE |
| | Entry Requirement: | Optional (Must be entered in combination with the MOE Rule Number) |
| | Valid Entries: | Any valid date in DD-MM-YY format up to and including today's date. |
| | Results: | When entered in combination with a MOE Rule Number, the MOE Master Inquiry screen (CATXMR) is displayed. |

c. Available Function Keys. There are no unique function keys available for the MOE Rule Data Inquiry screen. All standardized FLIS function keys are available. Refer to Section [16.3.2.e](#) of this document.

a. **Screen Explanation.** This screen displays the MOE Rule Pick List of effective dates to choose from when entering a MOE Rule on the MOE Rule Inquiry (CATMOL) screen. The user may tag only one item. After tagging the desired date, the user is taken to the MOE Master Inquiry (CATXMR) screen.

b. **Field Entry Requirements.** The valid field entries are described below. Other fields shown on the screen are display-only fields and will display data based on the entries made.

- | | |
|---------------------|--|
| (1) Field Name: | TAG |
| Entry Requirements: | Only one item may be tagged. |
| Valid Entries: | X |
| Results: | Transfers to the MOE Master Inquiry (CATXMR) screen. |

c. **Available Function Keys.** The following unique function keys may be used from the MOE Rule Pick List screen. All standardized FLIS function keys are available. Refer to Section [16.3.2.e](#) of this document.

- | | |
|------------|--|
| F6 Process | Transfers to the MOE Master Inquiry (CATXMR) screen. |
|------------|--|

a. **Screen Explanation.** This screen displays the Expanded CAGE Code Inquiry when a user CAGE Code, from the CAGE Code Inquiry Picklist or when entering a CAGE Code on the Inquiry screen.

b. **Field Entry Requirements.** There are no field entries for this screen. Other fields shown on the screen are display-only fields and will display data based on the entries made.

c. **Available Function Keys.** The following unique function keys may be used from the Expanded CAGE Code Inquiry screen. All standardized FLIS function keys are available. Refer to Section [16.3.2.e](#) of this document.

F5	Cancel	Cancels current search and returns to the screen where the search was started.
F9	Clr-Text	Displays the clear text data (CATCLR) screen.
F10	Chg-Data	Displays the change text (CATCGC) data screen.
F11	Print	Sends the information displayed to the printer associated with your terminal. Available only after special access has been granted by the security administrator for your facility.

- a. **Screen Explanations.** This screen is displays the Expanded CAGE Code Inquiry when a user enters a CAGE Code
- b. **Field Entry Requirements.** There are no valid field entries for this screen. Other fields shown on the screen are display-only fields and will display data based on the entries made.
- c. **Available Function Keys.** The following unique function keys may be used from the Expanded CAGE Code Inquiry screen. All Standardized FLIS function keys are available. Refer to Section [16.3.2.e](#) of this document.

F5 Return to PREVSCREEN Cancels current search and returns to the screen where the search was started.

A.22-2 CATXME - MOE Master Exclusive FSG/FSC Screen

SCRNCD: CATXME LOGISTICS ON-LINE ACCESS DATE: 02-NOV-00
USERID: XXXXXXX MOE MASTER EXCLUSIVE FSG/FSC TIME: 13:43

MOE RULE NUMBER: A182

EXCLUSIVE FSG/FSC

**** END OF DATA ****

<MSG 0520> PRESS APPROPRIATE PF KEY FOR THE PROCESSING DESIRED

F1=HELP	F2=	F3=PREV MENU	F4=MAIN MENU	F5=CANCEL	F6=
F7=	F8=	F9=	F10=	F11=	F12=

a. Screen Explanations. This screen is displayed after the user presses F10 (Exclusion) from the MOE Master Inquiry screen (CATXMR).

When multiple screens are needed to display the information, <MORE DATA> or <END OF DATE> will appear at the bottom of the screen. The last screen in the series will also display the Total for all fields.

b. Field Entry Requirements. There are no valid field entries for this screen. Other fields shown on the screen are display-only fields and will display data based on the entries made.

c. Available Function Keys. The following unique function keys may be used from the Exclusion FSG/FSC Data screen. All Standardized FLIS function keys are available. Refer to Section [16.3.2.e](#) of this document.

F5 Cancel

Cancels current search and returns to the screen where the search was started.

A.23 CATXMI - MOE Master Inclusive FSG/FSC Screen

SCRNCD: CATXMI LOGISTICS ON-LINE ACCESS DATE: 02-NOV-00
USERID: XXXXXXX MOE MASTER INCLUSIVE FSG/FSC TIME: 13:46

MOE RULE NUMBER: N9LY

INCLUSIVE FSG/FSC

7210	83	8405	8410	8415	8420	8425	8430
8435	8440	8445	8450	8455	8460	8465	8470

** END OF DATA **

<MSG 0520> PRESS APPROPRIATE PF KEY FOR THE PROCESSING DESIRED

F1=HELP	F2=	F3=PREV MENU	F4=MAIN MENU	F5=CANCEL	F6=
F7=	F8=	F9=	F10=	F11=	F12=

a. **Screen Explanations:** This screen is displayed after the user presses F9 (Inclusion) from the MOE Master Inquiry screen (CATXMR).

When multiple screens are needed to display information, <MORE DATA> or <END of DATA> will appear at the bottom of the screen. The last screen in the series will also display the Totals for all fields.

b. **Field Entry Requirements.** There are no valid field entries for this screen. Other fields shown on the screen are display-only fields and will display data based on the entries made.

c. **Available Function Keys.** The following unique function keys may be used from the Inclusion FSG/FSC Data screen. All standardized FLIS function keys are available. Refer to Section [16.3.2.e](#) of this document.

F5 Cancel

Cancels current search/inquiry and returns control to the previously displayed screen.

A.24 CATXMN - MOE Master Management Inquiry Screen

SCRNCD: CATXMN LOGISTICS ON-LINE ACCESS DATE: 02-NOV-00
USERID: XXXXXXX MOE MASTER MANAGEMENT INQUIRY TIME: 13:39

MOE RULE NUMBER: A111
EFFECTIVE DATE: 17-AUG-00 DATE LAST CHG: 10-MAR-81

**** MANAGEMENT EXCEPTION NOTES ****

ALL MEDICAL ITEMS REGARDLESS OF FSC EXCEPT NON MEDICAL ITEMS IN FSC
6630 AND 6640 AND MEDICAL ITEMS IN FSC'S ASSIGNED TO ACTIVITIES CX
OR CY FOR WHICH THEY ARE SINGLE SUBMITTERS

<MSG 0520> PRESS APPROPRIATE PF KEY FOR THE PROCESSING DESIRED

F1=HELP F2= F3=PREV MENU F4=MAIN MENU F5=CANCEL F6=
F7= F8= F9= F10= F11= F12=

a. **Screen Explanations.** This screen is displayed when the user presses F6 from the MOE Master Inquiry screen (CATXMR).

b. **Field Entry Requirements.** There are no valid entries for this screen. Other fields shown on the screen are display-only fields and will display data based on the entries made.

c. **Available Function Keys.** The following unique function keys may be used from the MOE Master Management Inquiry screen. All standardized FLIS function keys are available. Refer to Section [16.3.2.e](#) of this document.

F5 Cancel

Cancels current search/inquiry and returns control to the previously displayed screen.

a. Screen Explanations. This screen is displayed when a user enters a MOE Rule and an Effective Date on the MOE Rule Data Inquiry screen (CATMOL) or when a MOE Rule was tagged on the MOE Rule EFF-DATE Pick List screen (CATMOP).

When multiple screens are needed to display information, <MORE DATE> or <END OF DATA> will appear at the bottom of the screen. The last screen in the series will also display the Totals for all fields.

b. Field Entry Requirements. There are no valid field entries for this screen. Other fields shown on the screen are display-only fields and will display data based on the entries made.

c. Available Function Keys. the following unique function keys may be used from the MOE Rule Data screen. All standardized FLIS function keys are available. Refer to [Section 16.3.2.e](#) of this document.

F5	Cancel	Cancels current search/inquiry and returns control to the previously displayed screen.
F6	Mgmt Excp	Transfers control to the MOE Master Management Inquiry screen (CATXMN).
F9	Inclusion	Transfers control to the Moe Master Inclusive screen (CATXMI).
F10	Exclusive	Transfers control to the MOE Master Exclusive screen (CATXME).
F11	Print	Sends the information displayed to the printer associated with your terminal. Available only after special access has been granted by the security administrator for your facility.

A.26 LOLBAS - Basic Reference Data Screen

SCRNCD: LOLBAS
USERID: XXXXXXXX

LOGISTICS ON-LINE ACCESS
BASIC REFERENCE DATA

DATE: 31-OCT-00
TIME: 08:50

ITEM NAME: BRACKET, MOUNTING

NSN: 5340-01-234-1111

```
-----  
                                     R R  
                                     N N     H  
                                     C U     C  
PART NUMBER      C CAGE  C UNIT PRICE  C C SOS UI C  MSDS  
-----  
130B2762         J 78385 2           5.46 3 2 S9I EA
```

** END OF VIEW **

<MSG 0520> PRESS APPROPRIATE PF KEY FOR THE PROCESSING DESIRED

F1=HELP F2=CLEAR SCR F3=PREV MENU F4=MAIN MENU F5=CANCEL F6=
F7=PAGE UP F8=PAGE DOWN F9= F10= F11= F12=

a. **Screen Explanation.** This screen displays the inquiry results when the user chooses the CRT as the output media and the Basic Reference Data Segment View as an output option. When multiple screens are needed to display information, MORE DATA, END OF VIEW or END OF DATA will appear at the bottom of each screen in the series.

b. **Field Entry Requirements.** There are no field entries for this screen.

c. **Available Function Keys.** The following unique function keys may be used from the Basic Reference Data screen. All standardized FLIS function keys are available. Refer to Section [16.3.2.e](#) of this document.

F5	Cancel	Cancels current search and returns to the screen where the search was started.
F6	Prev NSN	Displays the previous NSN if more than one NSN was selected.
F7	Page Up	Displays the prior page of the current file being viewed.
F8	Page Down	Displays the next page of the current file being viewed.
F9	Next NSN	Displays the next NSN if more than one NSN was selected.
F10	Print	Send the information displayed to the printer associated with your terminal. Available only after special access has been granted by the security administrator for your facility.

a. **Screen Explanation.** This screen displays the inquiry results if the user entered or selected a NIIN that has been or will be canceled. If the requested NIIN will be cancelled, the effective date, originating DIC, and originating activity will be displayed on the header line.

b. **Field Entry Requirements.** There are no field entries for this screen.

c. **Available Function Keys.** The following unique function keys may be used from the Cancelled NIIN screen. All standardized FLIS function keys are available. Refer to Section [16.3.2.e](#) of this document.

F5	Cancel	Cancels current search and returns to the screen where the search was started.
F6	Repl NSN	Continues processing with the replacement NIIN.
F10	CANC NSN	Displays segment data outputs for cancelled NSNs.

a. Screen Explanation. This screen displays a list of items based on the CAGE Code entered and allows the user to pick the item(s) to be processed. Other fields shown on the screen are display only fields and will display data based on the entries made. It will display only the first 108 lines.

When multiple screens are needed to display information, MORE DATA, END OF DATA, or SEARCH CRITERIA EXCEEDS ALLOWABLE AMOUNT will appear at the bottom of the screen. The last screen in the series will also display Total NSNs found.

b. Field Entry Requirements. The valid field entries are described below.

- | | |
|--------------------|---|
| (1) Field Name: | TAG |
| Entry Requirement: | To select a given NSN(s), place an X in the Tag field to the left of the desired NSN(s). Press F6 (Process) when all desired NSN(s) are selected. |
| Valid Entries: | X |
| Results: | Processes selected NSNs as defined on the Select Inquiry Output Options (LOLOUT) screen. |
| (2) Field Name: | TAG |
| Entry Requirement: | An NSN could be matched through an associated cage of the input cage or the replacement of the input cage. To display data of the cage which produced matches, place an X on the tag field to the left of desired NSN and press F9. |
| Valid Entries: | X |
| Results: | Displays CAGE Supplier Data for the CAGE which produced the match. |

c. Available Function Keys. The following unique function keys may be used from the Item CAGE Pick List screen. All standardized FLIS function keys are available. Refer to Section [16.3.2.e](#) of this document.

- | | | |
|-----|---------------|---|
| F5 | Cancel | Cancels current search and returns to the screen where the search was started. |
| F6 | Process | Will process selected NSNs as defined on the Select Inquiry Output Options (LOLOUT) screen. |
| F7 | Page Up | Displays the prior page of the current file being viewed. |
| F8 | Page Down | Displays the next page of the current file being viewed. |
| F9 | CAGE-Only | Displays CAGE/SUPPLIER DATA of an associated CAGE code. |
| F10 | Change Output | Transfers to the Select Inquiry Options Output Options (LOLOUT) screen. |

F12 Proc All

Selects and processes all NSNs on the current list.

The system limits the number of matches you will see on-line for CAGE-CODE SEARCH.

You may continue with the search by specifying more search conditions.

Or to obtain additional matches for this search, call or forward your request to DLIS's Customer Service Office 1-888-352-9333, email: dlis-support@dlis.dla.mil. Please specify how you want the output.

A.29 LOLCHG - Get INC/FSC Effective Dated Changes Screen

SCRNCD: LOLCHG LOGISTICS ON-LINE ACCESS DATE: 01-NOV-00
USERID: XXXXXXXX GET INC/FSC EFFECTIVE DATED CHANGES TIME: 12:50

CHANGE DATA FOR INC: 11345

----- OR -----

CHANGE DATA FOR FSC: -----

DATE RANGE: 00306 TO 01239 (ENTER JULIAN DATE)

; NOTE: THE DATE RANGE ENTERED MUST BE NO EARLIER/LATER ;
; THAN 180 DAYS FROM THE CURRENT DATE. IN JULIAN FORMAT ;
; TODAY IS 00306 - THE 180 DAY WINDOW IS FM 00126 TO 01239 ;

<MSG 0531> ENTER ONE CRITERIA AND PRESS <ENTER> KEY

F1=HELP F2=CLEAR SCR F3=PREV MENU F4=MAIN MENU F5=RETURN START SEARCH
F7= F8= F9= F10= F11= F12=

a. Screen Explanation. This screen allows the user to enter the criteria to obtain INC or FSC change data.

b. Field Entry Requirements. The valid field entries are described below.

- | | | |
|-----|--------------------|---|
| (1) | Field Name: | CHANGE DATA FOR INC |
| | Entry Requirement: | Must be entered in combination with a valid Date Range. |
| | Valid Entries: | Any valid INC (Numeric or Alpha G-Z on 1st character). |
| | Results: | Transfers to Item Name Change Data (LOLICH) screen. |
| (2) | Field Name: | CHANGE DATA FOR FSC |
| | Entry Requirement: | Must be entered in combination with a valid Date Range. |
| | Valid Entries: | Any valid FSC or FSG (Numeric). |
| | Results: | Transfers to FSC or FSG Change Data (LOLFCH) screen. |
| (3) | Field Name: | DATE RANGE |
| | Entry Requirement: | Must be entered in combination with either a valid INC, FSC or FSG. |
| | Valid Entries: | Must be entered in Julian date format and be no earlier than 180 days prior or 180 days after the current date. Valid ranges will be displayed. |

c. Available Function Keys. The following unique function keys may be used from the Get INC/FSC Effective Dated Changes screen. All standardized FLIS function keys are available. Refer to Section [16.3.2.e](#) of this document.

- | | | |
|---------|---------------------|--|
| F5 | Return Start Search | Transfers back to the screen where the search was started. |
| (ENTER) | | Displays changed data for valid input. |

A.30 LOLCHS - Start Characteristics Search Screen

SCRNCD: LOLCHS LOGISTICS ON-LINE ACCESS DATE: 05-OCT-00
USERID: XXXXXXX START CHARACTERISTICS SEARCH TIME: 07:19

ITEM NAME CODE (INC) SEARCH: _____
 ---- OR ----
ITEM NAME SEARCH: _____

<MSG 0531> ENTER ONE CRITERIA AND PRESS <ENTER> KEY
YOU HAVE PRPY ACCESS
F1=HELP F2=CLEAR SCR F3=LOLA MENU F4=MAIN MENU F5= F6=
F7= F8= F9= F10= F11= F12=USER PROF

a. Screen Explanation. This is the first screen for a characteristics search. The user is able to enter either an INC or Item Name as the basis of the characteristics search.

b. Field Entry Requirements. The valid field entries are described below.

- | | |
|--------------------|---|
| (1) Field Name: | ITEM NAME CODE (INC) SEARCH |
| Entry Requirement: | May only be entered as a single entry. |
| Valid Entries: | Any valid INC and press Enter (Numeric). |
| Results: | If 25 or fewer NIINS are found, the Characteristics Search Results (LOLRES) screen will appear. If more than 25 NIINS are found, the MRC Pick List (LOLMRC) screen will appear. |
| (2) Field Name: | ITEM NAME SEARCH |
| Entry Requirement: | May only be entered as a single entry. |
| Valid Entries: | Any valid Item Name and press Enter. |
| Results: | Transfers to the Item Name/Keyword Search Response Screen (LOLINR). |

c. Available Function Keys. The following unique function key may be used from the start characteristics search screen. All standardized FLIS function keys are available. Refer to Section [16.3.2.e](#) of this document.

F12 USER PROF

Displays user profile information.

A.31 LOLCNM - CAGE Code Pick List Screen.

SCRNCD: LOLCNM LOGISTICS ON-LINE ACCESS DATE: 01-NOV-00
USERID: XXXXXXX CAGE CODE PICK LIST TIME: 09:32

SEARCH CAGE NAME: KELLOGG

TAG	CAGE CODE	CAGE NAME	CITY	STATE
—	K5715	KELLOGG CO OF GREAT BRITAIN LTD	STRETFORD, MANC	UNITE
—	Z3106	KELLOGG AUST PTY LTD		AUSTR
—	0AHB6	KELLOGG CHARLES W	OSCODA	MI
—	0CHC1	KELLOGG M W CO THE	HOUSTON	TX
—	0DE81	KELLOGG DICK	SAINT CHARLES	MO
—	0GBL6	KELLOGG COMMUNITY COLLEGE	BATTLE CREEK	MI
—	0G373	ITT KELLOGG	CHICAGO	IL
—	0JCP0	KELLOGG/PARSONS BRINCKERHOFF	HOUSTON	TX
—	0JRM6	KELLOGG-MOORE OIL CO	MONROE	LA
—	0MBW2	HOWMEDICA KELLOGG ASSOCIATE INC	TULSA	OK
—	0MD01	HOLBROOK AND KELLOGG INC	VIENNA	VA
—	0NRD9	KELLOGG SALES CO	FRANKLIN PARK	IL

 ** MORE **

<MSG 0625> PICK ONE CAGE CODE AND PRESS <PF6> TO PROCESS

F1=HELP F2=CLEAR SCR F3=PREV MENU F4=MAIN MENU F5=CANCEL F6=PROCESS
F7= F8=PAGE DOWN F9= F10= F11= F12=

a. Screen Explanation. This screen displays a list of CAGE Codes based on the CAGE Name entered by the user. The user can select a CAGE Code from this list to process.

b. Field Entry Requirements. The valid field entries are described below.

(1) Field Name:	TAG
Entry Requirement:	Must be a single entry.
Valid Entries:	Move to Tag field for the desired CAGE Code and press <F6> Process.
Results:	Transfers to the Item CAGE Pick List (LOLCCD) screen.

c. Available Function Keys. The following unique function keys may be used from the CAGE Code Pick List screen. All standardized FLIS function keys are available. Refer to Section [16.3.2.e](#) of this document.

F5	Cancel	Cancels current search and returns to the screen where the search was started.
F6	Process	Displays the Item CAGE Pick List (LOLCCD) for the Cage Code selected.
F7	Page Up	Displays the prior page of the current file being viewed.
F8	Page Down	Displays the next page of the current file being viewed.

a. **Screen Explanation.** This screen displays the inquiry results when the user chooses the CRT as the output media and the Coded Characteristics Segment View as an output option. When multiple screens are needed to display information, MORE DATA, END OF DATA, or END OF VIEW will appear at the bottom of the screen.

b. **Field Entry Requirements.** There are no field entries for this screen.

c. **Available Function Keys.** The following unique function keys may be used from the Coded Characteristics screen. All standardized FLIS function keys are available. Refer to Section [16.3.2.e](#) of this document.

F5	Cancel	Cancels current search and returns to the screen where the search was started.
F6	Prev NSN	Displays the previous NSN if more than one NSN was selected.
F7	Page Up	Displays the prior page of the current file being viewed.
F8	Page Down	Displays the next page of the current file being viewed.
F9	Next NSN	Displays the next NSN if more than one NSN was selected.
F10	Print	Sends the information displayed to the printer associated with your terminal. Available only after special access has been granted by the security administrator for your facility.
F12	Futures/Current	If presently displaying current data, F12 will display next available futures data. If presently displaying futures data and there is no more futures data to be displayed, F12 will display current data.

a. **Screen Explanation.** This screen displays the inquiry results when the user chooses the CRT as the output media and the Decoded Characteristics Segment View as an output option. When multiple screens are needed to display information, MORE DATA, END OF DATA, or END OF VIEW will appear at the bottom of the screen.

b. **Field Entry Requirements.** There are no field entries for this screen.

c. **Available Function Keys.** The following unique function keys may be used from the Decoded Characteristics screen. All standardized FLIS function keys are available. Refer to Section [16.3.2.e](#) of this document.

F5	Cancel	Cancels current search and returns to the screen where the search was started.
F6	Prev NSN	Displays the previous NSN if more than one NSN was selected.
F7	Page Up	Displays the prior page of the current file being viewed.
F8	Page Down	Displays the next page of the current file being viewed.
F9	Next NSN	Displays the next NSN if more than one NSN was selected.
F10	Print	Sends the information displayed to the printer associated with your terminal. Available only after special access has been granted by the security administrator for your facility.
F12	Futures/Current	If presently displaying current data, F12 will display next available futures data. If presently displaying futures data and there is no more futures data to be displayed, F12 will display current data.

a. Screen Explanation. This screen displays the item names and supporting data within an FSC. When multiple screens are needed to display information, MORE DATA or END OF DATA will appear at the bottom of the screen.

b. Field Entry Requirements. The valid field entries are described below.

(1) Field Name:	TAG
Entry Requirements:	Must be entered only as a single entry.
Valid Entries:	Move to the Tag field for the desired item name and press a function key.
Current Tag Index:	INCs
Results:	See Section 16.9.B.14.c, Available Function Keys.

c. Available Function Keys. The following unique function keys may be used from the FSC Data screen. All standardized FLIS function keys are available. Refer to Section [16.3.2.e](#) of this document.

F5	Start Search Screen	Transfers to a start search screen.
F7	Page Up	Displays the prior page of the current file being viewed.
F8	Page Down	Displays the next page of the current file being viewed.
F9	INC Def	Transfers to the Item Name Definition (LOLINC) screen.
F10	Start CHS	Transfers selected item to the Characteristics Search Subsystem.
F11	FSC Desc	Transfers a selected FSG title to the FSC Description (LOLFSC) screen.

a. Screen Explanation. This screen displays the reply value for a selected MRC using dimensions as the input characteristic. The Optional Reply Value will enable users to reduce number of reply values and to specify characteristics to be processed. The keywords which may be used to initiate a reply on the LOLDIM screen are MIN, MAX, DISPLAY, PROCESS, TO, ?. In the format entry example below, the criteria is a unit of measure.

FORMAT ENTRY EXAMPLE: (within the current MRC)

ENTRY EXAMPLE:

<u>KEYWORD</u>	<u>CRITERIA</u>	<u>EXPLANATION</u>
DISPLAY	10	to display the characteristics for a Dimension = 10.
DISPLAY	MIN 10 TO MIN ?	to display the minimum characteristics with Dimension >10.
DISPLAY	MIN 10 TO MIN 20	to display the characteristics with Dimension >= 10 and not >20 inclusive.
DISPLAY	MAX 20	to display the characteristics for Dimension not >20.
DISPLAY	MAX 20 TO MAX ?	to display the characteristics with maximum Dimension >= 20.
DISPLAY	MAX 20 TO MAX 40	to display the characteristics with maximum Dimension between 20 and 40 inclusive.
DISPLAY	MIN 10 TO MAX 40	to display the characteristic with minimum dimension >= 10 and maximum Dimension <= 40.
PROCESS	10	to process the characteristics for a Dimension = 10.
PROCESS	MIN 10 TO MIN ?	to obtain the NIINs with minimum Dimension >= 10.
PROCESS	MIN 10 TO MIN 20	to obtain the NIINs with minimum Dimension between 10 and 20 inclusive.
PROCESS	MAX 20	to obtain the NIINs with maximum Dimension of 20.
PROCESS	MAX 20 TO MAX ?	to obtain the NIINs with maximum Dimension >=20.
PROCESS	MAX 20 TO MAX 40	to obtain the NIINs with maximum dimension between 20 and 40 inclusive.

ENTRY EXAMPLE:

<u>KEYWORD</u>	<u>CRITERIA</u>	<u>EXPLANATION</u>
PROCESS	MIN 10 TO MAX 40	to obtain the NIINs with minimum Dimension >= 10 and maximum Dimension not > 40

Also see LOLMLT, LOLNUM, LOLTBL, LOLTXT, and LOLTOL for other characteristics.

b. Field Entry Requirements. The valid field entries are described below.

- (1) Field Name: TAG
 Entry Requirements: May be entered with multiple TAGs.
 Valid Entries: X
 Results: Transfers to the Characteristics Search Results (LOLRES) screen when F6 (Process) is pressed.

- (2) Field Name: OPTIONAL REPLY VALUE
 Entry Requirement: Must be valid keyword and criteria.
 Valid Entries: DISPLAY, PROCESS, MIN, MAX, TO, ?
 Results: DISPLAY will reduce number of reply values available with given criteria. PROCESS will transfer to the Characteristics Search Results Screen.

c. Available Function Keys. The following unique function keys may be used from the MRC Reply Selection (Dimensions) screen. All standardized FLIS function keys are available. Refer to Section [16.3.2.e](#) of this document.

F5	Cancel	Cancels current search and returns to the screen where the search was started.
F6	Process	Transfers to the Characteristics Search Results (LOLRES) screen.
F7	Page Up	Displays the prior page of the current file being viewed.
F8	Page Down	Displays the next page of the current file being viewed.
F9	Next MRC	Displays the next MRC if more than one was selected.
F10	And/Or	Toggles between 'AND' and 'OR' processing. If user presses F10 and F6, 'AND' processing will be active. Processing will default to 'OR'.

F12 Text

Transfers to the MRC Reply Selection (Text) screen (LOLTXT) if available for this MRC.

A.36 LOLFCH - FSC/FSG Change Data Screen

SCRNCD: LOLFCH LOGISTICS ON-LINE ACCESS DATE: 01-NOV-00
USERID: XXXXXXX FSC CHANGE DATA TIME: 15:00

FSC: 5430 DATE RANGE: 00306 TO 01239
FSG: 54 Prefabricated Structures and Scaffolding

DRN CHANGED DATA FOR AN ACTIVE FSC EFF DATE

<MSG 0570> NO CHANGED DATA FOUND

F1=HELP F2=CLEAR SCR F3=LOLA MENU F4=MAIN MENU F5=PREV SCR F6=
F7=PAGE UP F8=PAGE DOWN F9= F10= F11= F12=

a. **Screen Explanation.** This screen displays the change data for an FSC. Other fields shown on the screen are display-only fields and will display data based on the entries made. When multiple screens are needed to display information, END OF DATA or MORE DATA will appear at the bottom of the screen. The last screen in the series will also display the Totals for all fields.

b. **Field Entry Requirements.** There are no field entries for this screen.

c. **Available Function Keys.** The following unique function keys may be used from the FSC Change Data screen. All standardized FLIS function keys are available. Refer to Section [16.3.2.e](#) of this document.

F5	Prev Scr	Transfers back to the previous screen.
F7	Page Up	Displays the prior page of the current file being viewed.
F8	Page Down	Displays the next page of the current file being viewed.

a. **Screen Explanation.** This screen displays a list of INCs that resulted in the FIIG search. When multiple screens are needed to display information, MORE DATA or END OF DATA will appear at the bottom of the screen. The last screen in the series will also display the Totals for all fields.

b. **Field Entry Requirements.** The valid field entries are described below. Other fields shown on the screen are display only fields and will display data based on the entries made.

- | | |
|--------------------|---|
| (1) Field Name: | SEARCH FIIG |
| Entry Requirement: | Must be entered as a single entry. |
| Valid Entries: | Enter a valid FIIG and press F6 (New Search). |
| Results: | Returns to current screen with item names associated with new FIIG number. |
| (2) Field Name: | TAG |
| Entry Requirement: | Must be entered as a single entry. |
| Valid Entries: | Position the cursor on the Tag field of the desired item name and press a function key. |
| Results: | See Section 16.9.B.14.c, Available Function Keys. |

c. **Available Function Keys.** The following unique function keys may be used from the FIIG Search Response screen. All standardized FLIS function keys are available. Refer to Section [16.3.2.e](#) of this document.

- | | | |
|-----|------------|--|
| F5 | Cancel | Cancels current search and returns to the screen where the search was started. |
| F6 | New Search | Performs a search for a valid FIIG entered in the Search FIIG field. |
| F7 | Page Up | Displays the prior page of the current file being viewed. |
| F8 | Page Down | Displays the next page of the current file being viewed. |
| F9 | FSC Desc | Transfers selected item name to the FSC Description (LOLFSC) screen. |
| F10 | Start CHS | Transfers selected item to the Characteristics Search Subsystem. |
| F11 | INC Def | Transfers selected item to the Item Name Definition (LOLINC) screen. |

The system limits the number of matches (100) you will see on-line for FIIG SEARCH.

You may continue with the search by specifying more search conditions.

Or to obtain additional matches for this search, call or forward your request to DLIS's Customer Service Office 1-888-352-9333, e-mail dls-support@dla.mil. Please specify how you want the output.

a. **Screen Explanation.** This screen displays the inquiry results when the user chooses the CRT as the output media and the Freight Data Segment View as an output option.

b. **Field Entry Requirements.** There are no field entries for this screen.

c. **Available Function Keys.** The following unique function keys may be used from the Freight Data screen. All standardized FLIS Function keys are available. Refer to Section [16.3.2.e](#) of this document.

F5	Cancel	Cancels current search and returns to the screen where the search was started.
F6	Prev NSN	Displays the previous NSN if more than one NSN was selected.
F7	Page Up	Displays the prior page of the current file being viewed.
F8	Page Down	Displays the next page of the current file being viewed.
F9	Next NSN	Displays the next NSN if more than one NSN was selected.
F10	Print	Sends the information displayed to the printer associated with your terminal. Available only after special access has been granted by the security administrator for your facility.

a. **Screen Explanation.** This screen displays the description of an FSC. When multiple screens are needed to display information, MORE DATA or END OF DATA will appear at the bottom of the screen. The last screen in the series will also display the Totals for all fields.

b. **Field Entry Requirements.** There are no field entries for this screen. Other fields shown on the screen are display-only fields and will display data based on the entries made.

c. **Available Function Keys.** The following unique function keys may be used from the FSC Description screen. All standardized FLIS function keys are available. Refer to Section [16.3.2.e](#) of this document.

F5	Start Search Screen	Transfers to a start search screen.
F7	Page Up	Displays the prior page of the current file being viewed.
F8	Page Down	Displays the next page of the current file being viewed.
F9	FSC Data	Transfers to the FSC Data (LOLDES) screen.

A.40 LOLFSG - Federal Supply Group Titles (H2-1 Contents) Screen

SCRNCD: LOLFSG LOGISTICS ON-LINE ACCESS DATE: 02-NOV-00
USERID: XXXXXXX FEDERAL SUPPLY GROUP TITLES (H2-1 CONTENTS) TIME: 07:19

TAG GROUP	TITLE
- 54	Prefabricated Structures and Scaffolding
- 55	Lumber, Millwork, Plywood, and Veneer
- 56	Construction and Building Materials
- 58	Communication, Detection, and Coherent Radiation Equipment
- 59	Electrical and Electronic Equipment Components
- 60	Fiber Optics Materials, Components, Assemblies, and Accessories
- 61	Electric Wire, and Power and Distribution Equipment
- 62	Lighting Fixtures and Lamps
- 63	Alarm, Signal and Security Detection Systems
- 65	Medical, Dental, and Veterinary Equipment and Supplies
- 66	Instruments and Laboratory Equipment
- 67	Photographic Equipment
- 68	Chemicals and Chemical Products
- 69	Training Aids and Devices

** MORE **

<MSG 0520> PRESS APPROPRIATE PF KEY FOR THE PROCESSING DESIRED

F1=HELP F2=CLEAR SCR F3=LOLA MENU F4=MAIN MENU F5=START SEARCH SCREEN
F7=PAGE UP F8=PAGE DOWN F9=GROUP NOTES F10 FSC DATA F11= F12=

a. **Screen Explanation.** This screen displays the titles for an FSG and allows the user to select a title and numerically sequential FSGs and titles to be displayed. When multiple screens are needed to display information, MORE DATA or END OF DATA will appear at the bottom of the screen. The last screen in the series will also display the Totals for all fields.

b. **Field Entry Requirements.** The valid field entries are described below. Other fields shown on the screen are display-only fields and will display data based on the entries made.

- | | |
|--------------------|---|
| (1) Field Name: | SEARCH FIIG |
| Entry Requirement: | Must be entered as a single entry. |
| Valid Entries: | Move to the desired Group and Title and press the appropriate function key. |
| Results: | See Section 16.9.B.14.c. |

c. **Available Function Keys.** The following unique function keys may be used from the Federal Supply Group Titles (H2-1 Contents) screen. All standardized FLIS function keys are available. Refer to Section [16.3.2.e](#) of this document.

- | | | |
|----|---------------------|--|
| F5 | Start Search Screen | Transfers to a start search screen. |
| F7 | Page Up | Displays the prior page of the current file being viewed. |
| F8 | Page Down | Displays the next page of the current file being viewed. |
| F5 | Group Notes | Transfers a selected FSG to the FSG Group Notes (LOLNOT) screen. |
| F9 | FSC Data | Transfers a selected FSG title to the FSC Data (LOLDES) screen. |

A.41 LOLIAS - I & S Data Screen

SCRNCD: LOLIAS LOGISTICS ON-LINE ACCESS DATE: 31-OCT-00
USERID: XXXXXXX I & S DATA TIME: 08:49

ITEM NAME: BRACKET, MOUNTING NSN: 5340-01-234-1111

NSN MOE ORDER-OF-USE JUMP-TO-CODE GENERIC-ITEM PHRASE-CODE

<MSG 0520> PRESS APPROPRIATE PF KEY FOR THE PROCESSING DESIRED

F1=HELP F2=CLEAR SCR F3=PREV MENU F4=MAIN MENU F5=CANCEL F6=
F7=PAGE UP F8=PAGE DOWN F9= F10= F11= F12=

a. **Screen Explanation.** This screen displays the inquiry results when the user chooses the CRT as the output media and the I & S Data Segment View as an output option. When multiple screens are needed to display information, MORE DATA, END OF DATA, or END OF VIEW will appear at the bottom of the screen.

b. **Field Entry Requirements.** There are no field entries for this screen.

c. **Available Function Keys.** The following unique function keys may be used from the I & S Data screen. All standardized FLIS function keys are available. Refer to Section [16.3.2.e](#) of this document.

F5	Cancel	Cancels current search and returns to the screen where the search was started.
F6	Prev NSN	Displays the previous NSN if more than one NSN was selected.
F7	Page Up	Displays the prior page of the current file being viewed.
F8	Page Down	Displays the next page of the current file being viewed.
F9	Next NSN	Displays the next NSN if more than one NSN was selected.

a. **Screen Explanation.** This screen will display the change data for an INC. When multiple screens are needed to display information, MORE DATA or END OF DATA will appear at the bottom of the screen. The last screen in the series will also display the Totals for all fields.

b. **Field Entry Requirements.** There are no field entries for this screen. Other fields shown on the screen are display-only fields and will display data based on the entries made.

c. **Available Function Keys.** The following unique function keys may be used from the Item Name Change Data screen. All standardized FLIS function keys are available. Refer to Section [16.3.2.e](#) of this document.

F5	Prev Scr	Transfers back to the previous screen.
F7	Page Up	Displays the prior page of the current file being viewed.
F8	Page Down	Displays the next page of the current file being viewed.

a. **Screen Explanation.** This screen displays one or more inquiry results when the user chooses the CRT as the output media and the Identification Data Segment View as an output option.

When multiple screens are needed to display information, MORE DATA or END OF DATA will appear at the bottom of the screen. The last screen in the series will also display the Totals for all fields.

b. **Field Entry Requirements.** There are no field entries for this screen.

c. **Available Function Keys.** The following unique function keys may be used from the Identification Data screen. All standardized FLIS function keys are available. Refer to Section [16.3.2.e](#) of this document.

F5	Cancel	Cancels current search and returns to the screen where the search was started.
F6	Prev NSN	Displays the previous NSN if more than one NSN was selected.
F7	Page Up	Displays the prior page of the current file being viewed.
F8	Page Down	Displays the next page of the current file being viewed.
F9	Next NSN	Displays the next NSN if more than one NSN was selected.
F10	Print	Sends the information displayed to the printer associated with your terminal. Available only after special access has been granted by the security administrator for your facility.
F12	Futures/Current	If presently displaying current data, F12 will display next available futures data. If presently displaying futures data and there is no more next available futures data to be displayed, F12 will display current data.

a. **Screen Explanation.** This screen displays the definition of an item name. When multiple screens are needed to display information, MORE DATA or END OF DATA will appear at the bottom of the screen. The last screen in the series will also display the Totals for all fields.

b. **Field Entry Requirements.** There are no field entries for this screen. Other fields shown on the screen are display-only fields and will display data based on the entries made.

c. **Available Function Keys.** The following unique function keys may be used from the Item Name Definition screen. All standardized FLIS function keys are available. Refers to Section 16.3.2.e of this document.

F5	Start Search Screen	Transfers back to the screen where the screen search was started.
F7	Page Up	Displays the prior page of the current file being viewed.
F8	Page Down	Displays the next page of the current file being viewed.
F9	INC Data	Transfers to the Item Name Data (LOLIND) screen.
F10	Start CHS	Transfers selected item to the Characteristics Search Subsystem.

A.45 LOLIND - Item Name Data Screen

```
SCRNCD: LOLIND          LOGISTICS ON-LINE ACCESS          DATE: 02-NOV-00
USERID: XXXXXXXX       ITEM NAME DATA              TIME: 07:08
-----
INC: 00118  ITEM NAME: CRYSTAL UNIT SET,QUARTZ          FIIG: A23800
-----
                        FSC CONDITION CODE: 1    APP-KEY: A
-----
TAG FSC                MODIFIER                EFF-DTE
-----
_ 5955                                     1974091
                        ** END OF DATA **
```

<MSG 0520> PRESS APPROPRIATE PF KEY FOR THE PROCESSING DESIRED

F1=HELP F2=CLEAR SCR F3=LOLA MENU F4=MAIN MENU F5=START SEARCH SCREEN
F7=PAGE UP F8=PAGE DOWN F9=INC DEF F10=START CHS F11=FSC DESC F12=

a. **Screen Explanation.** This screen displays the reference data for an INC. If the requested INC has been cancelled, the message “INC WAS CANCELLED” will appear at the bottom of the screen. When multiple screens are needed to display information, MORE DATA or END OF DATA will appear at the bottom of the screen. The last screen in the series will also display the Totals for all fields.

b. **Field Entry Requirements.** The valid field entries are described below. Other fields shown on the screen are display only fields and will display data based on the entries made. based on the entries made.

(1) Field Name:	TAG
Entry Requirement:	Must be a single entry.
Valid Entries:	Move to the desired FSC and press F11 (FSC Desc).
Results:	Transfers to the FSC Description (LOLFSC).

c. **Available Function Keys.** The following unique function keys may be used from the Item Name Data screen. All standardized FLIS function keys are available. Refer to Section [16.3.2.e](#) of this document.

F5	Start Search Screen	Transfers back to the screen where the screen search was started.
F7	Page Up	Displays the prior page of the current file being viewed.
F8	Page Down	Displays the next page of the current file being viewed.
F9	INC Def	Transfers to the Item Name Definition (LOLINC) screen.
F10	Start CHS	Transfers selected item to the Characteristics Search Subsystem.
F11	FSC Desc	Transfers to the FSC Description (LOLFSC) screen.

A.46 LOLINM - INC Pick List Screen

SCRNCD: LOLINM LOGISTICS ON-LINE ACCESS DATE: 02-NOV-00
USERID: XXXXXXXX INC PICK LIST TIME: 07:38

SEARCH ITEM NAME:

TAG	INC	ITEM NAME	APP-KEY	FIIG	FSC	COND
_	00440	DELAY CELL	A	A23900	1270	2
_	00440	DELAY CELL	A	A23900	1280	2
_	00440	DELAY CELL	A	A23900	5840	2
_	00440	DELAY CELL	A	A23900	6110	2
_	77777	DELAY CELL SUB-ASSY			5840	

 ** END OF DATA **

<MSG 0624> PICK ONE INC AND PRESS APPROPRIATE PF KEY

F1=HELP F2=CLEAR SCR F3=PREV MENU F4=MAIN MENU F5=CANCEL F6=PROCESS
F7= F9=FULL NAME F10= F11= F12=

a. Screen Explanation. This screen displays a list of INCs based on the Item Name entered and allows the user select an INC to process.

b. Field Entry Requirements. The valid field entries are described below.

(1) Field Name:	TAG
Entry Requirement:	Must be a single entry.
Valid Entries:	Position the cursor on the desired INC and press F6 (Process).
Results:	Transfers to the Item INC Pick List (LOLINP) screen.

c. Available Function Keys. The following unique function keys may be used from the INC Pick List screen. All standardized FLIS function keys are available. Refer to Section [16.3.2.e](#) of this document.

F5	Cancel	Cancels current search and returns to the screen where the search was started.
F6	Process	Transfers a selected INC to the Item INC Pick List (LOLINP) screen.
F7	Page Up	Displays the prior page of the current file being viewed.
F8	Page Down	Displays the next page of the current file being viewed.
F9	Full Name	Displays the full name of the selected item being viewed.

The system limits the number of matches (100) you will see on-line for ITEM NAME CODE SEARCH.

You may continue with the search by specifying more search conditions.

To obtain additional matches for this search, call or forward your request to DLIS's Customer Service Office 1-888-352-9333, e-mail dlis-support@dlis.dla.mil. Please specify how you want the output.

a. **Screen Explanation.** This screen allows the user to pick the item(s) from a list of output from the inquiry being processed. When multiple screens are needed to display information, MORE DATA or END OF DATA will appear at the bottom of the screen. The last screen in the series will also display the Totals for all fields.

b. **Field Entry Requirements.** The valid field entries are described below. Other fields shown on the screen are display-only fields and will display data based on the entries made. It will display only the first 108 lines.

(1) Field Name:	TAG
Entry Requirement:	To select a given NSN(s), place an X in the Tag field to the left of the desired NSN(s). Press F6 (Process) when all desired NSNs have been selected.
Valid Entries:	X
Results:	Sends output as defined to the Select Inquiry Output Options (LOLOUT) screen.

c. **Available Function Keys.** The following unique function keys may be used from the Item INC Pick List screen. All standardized FLIS function keys are available. Refer to Section [16.3.2.e](#) of this document.

F5 Cancel	Cancels current search and returns to the screen where the search was started.
F6 Process	Sends output as defined to the Select Inquiry Output Options (LOLOUT) screen.
F7 Page Up	Displays the prior page of the current file being viewed.
F8 Page Down	Displays the next page of the current file being viewed.
F9 Full Name	Displays the full name of the selected item being viewed.
F10 Change Output	Transfers to the Select Inquiry Options Output Options (LOLOUT) screen.
F12 Proc All	Selects and processes all NSNs on the current list.

A.48 LOLINQ - Start Inquiry Screen

SCRNCD: LOLINQ LOGISTICS ON-LINE ACCESS DATE: 05-OCT-00
USERID: XXXXXXX START INQUIRY TIME: 07:15

NIIN INQUIRY: __ - ___ - ____

---- OR INQUIRY BY ----

PART NUMBER: _____

CAGE CODE: _____ OR CAGE NAME: _____

INC: _____ OR ITEM NAME: _____

<MSG 0492> ENTER CRITERIA AND PRESS <ENTER> KEY
YOU HAVE PRPY ACCESS
F1=HELP F2=CLEAR SCR F3=PREV MENU F4=MAIN MENU F5= F6=MUL NIINS
F7= F8= F9=CAGE ONLY F10=SELECT OUTPUT OPTIONS F12=USER PROF

- a. Screen Explanation. This screen allows the user to enter search criteria for an inquiry.
- b. Field Entry Requirements. The valid field entries are described below.

- (1) Field Name: NIIN INQUIRY
Entry Requirement: May be entered only as a single entry.
Valid Entries: Any valid NIIN and press Enter. First two characters and last four characters of NIIN must be numeric. Others may be alpha or numeric.
Results: Sends output as defined on the Select Inquiry Output Options (LOLOUT) screen, or displays the Canceled NIIN (LOLCAN) screen if that NIIN has been canceled.
- (2) Field Name: PART NUMBER
Entry Requirement: May be entered in combination with a valid CAGE Code or CAGE Name, and/or a valid INC or Item Name.
Valid Entries: Any valid part number or partial part number (delimited by '?') and press Enter.
Results: Transfers to the Item PN Pick List (LOLPNR) screen.
- (3) Field Name: CAGE CODE
Entry Requirement: May be entered in combination with a valid part number or partial part number, and/or a valid INC or Item Name.
Valid Entries: Any valid CAGE Code.
Results: Transfers to the Item CAGE Pick List (LOLCCD) screen.
- (4) Field Name: CAGE NAME
Entry Requirement: May be entered in combination with a valid part number or partial part number, and/or a valid INC or Item Name.
Valid Entries: Any valid keyword of a CAGE name.
Results: Transfers to the CAGE Code Pick List (LOLCNM) screen.
- (5) Field Name: INC
Entry Requirement: May be entered in combination with a valid part number or partial part number, and/or a valid CAGE Code or CAGE Name.

Valid Entries: Any valid INC (must be numeric).
Results: Transfers to the Item INC Pick List (LOLINP) screen.

(6) Field Name: ITEM NAME
Entry Requirement: May be entered in combination with a valid part number or partial part number, and/or a valid CAGE Code or CAGE Name.

Valid Entries: Any valid Item Name.
Results: Transfers to the INC Code Pick List (LOLINM) screen.

c. Available Function Keys. The following unique function keys may be used from the Start Inquiry screen. All standardized FLIS function keys are available. Refer to Section [16.3.2.e](#) of this document.

F10 Select Output Options Transfers to Select Inquiry Output Options (LOLOUT) screen.

F12 USER PROF Displays user's profile. Allows user to change printer number associated to the terminal.

The system limits the number of matches you will see on-line for CAGE Code, INC, and Part Number keyword searches. You may continue with the search by specifying more search conditions.

To obtain additional matches for this search, call or forward your request to DLIS's Customer Service Office 1-888-352-9333, e-mail dlis-support@dlis.dla.mil. Please specify how you want the output.

a. Screen Explanation. This screen displays a list of INCs that result from the search. This will then display screen LOLINP giving a list of NSNs to pick from.

b. Field Entry Requirements. The valid field entries are described below.

- | | |
|--------------------|--|
| (1) Field Name: | TAG |
| Entry Requirement: | Must be entered only as a single entry. |
| Valid Entries: | Tab the cursor to the Tag field of the desired Item Name and press the appropriate function key. |
| Results: | Transfers user to selected function key screen. |

c. Available Function Keys. The following unique function keys may be used from the Item Name/Keyword Search Response screen. All standardized FLIS function keys are available. Refer to Section [16.3.2.e](#) of this document.

- | | | |
|-----|------------|--|
| F5 | Cancel | Cancels current search and returns to the screen where the search was started. |
| F6 | New Search | Performs a search for a valid item name entered in the Search Name field. |
| F7 | Page Up | Displays the prior page of the current file being viewed. |
| F8 | Page Down | Displays the next page of the current file being viewed. |
| F9 | FSC Desc | Transfers selected item name to the FSC Description (LOLFSC) screen. |
| F10 | Start CHS | Transfers selected item to the Characteristics Search Subsystem. |
| F11 | INC Def | Transfers selected item to the Item Name Definition (LOLINC) screen. |

A.50 LOLMGT - Management Data Screen

SCRNCD: LOLMGT LOGISTICS ON-LINE ACCESS DATE: 31-OCT-00
USERID: XXXXXXX MANAGEMENT DATA TIME: 10:44

ITEM NAME: BRACKET, MOUNTING NSN: 5340-01-234-1112

TAG	PHSE	EFF-DT	MOE	AAC	SOS	UI	U-PRICE	QUP	CIIC	SL	REP	MGT-CTL	USC
-		2000275	DF	2	S9I	EA	87.69	1	U	0	N	SF9AY A	F
-		2000275	DS	2	S9I	EA	87.69	1	U	0			I

** END OF VIEW **

<MSG 0640> NO FUTURES DATA AVAILABLE

F1=HELP F2=CLEAR SCR F3=PREV MENU F4=MAIN MENU F5=CANCEL F6=
F7=PAGE UP F8=PAGE DOWN F9= F10= F11=TBJ F12=

a. **Screen Explanation.** This screen displays the inquiry results when the user chooses the CRT as the output media and the Management Data Segment View as an output media. When multiple screens are needed to display information MORE DATA, END OF DATA, or END OF VIEW will appear at the bottom of the screen. The last screen in the series will also display the Totals for all fields.

b. **Field Entry Requirements.** There are no field entries for this screen. Other fields shown on the screen are display-only fields and will display data based on the entries made.

c. **Available Function Keys.** The following unique function keys may be used from the Management Data screen. All standardized FLIS function keys are available. Refer to Section [16.3.2.e](#) of this document.

F5	Cancel	Cancels current search and returns to the screen where the search was started.
F6	Prev NSN	Displays the previous NSN if more than one NSN was selected.
F7	Page Up	Displays the prior page of the current file being viewed.
F8	Page Down	Displays the next page of the current file being viewed.
F9	Next NSN	Displays the next NSN if more than one NSN was selected.
F10	Fut-Phrs	If futures Phrase Data is available, F10 will display available futures data.
F11	TBJ	Displays the DAAS Source of Supply (SOS) for the selected NIIN.
F12	Futures/Current	If presently displaying current data, F12 will display next available futures data. If presently displaying futures data and there is no more futures data to be displayed, F12 will display current data.

A.51 LOLMLT - MRC Reply Selection (Multiple Tables) Screen

SCRNCD: LOLMLT LOGISTICS ON-LINE ACCESS DATE: 02-NOV-00
USERID: XXXXXXX MRC REPLY SELECTION (MULTIPLE TABLES) TIME: 10:07

INC: 37408 ITEM NAME: RESISTOR,VARIABLE,W
MRC: CRGM FUNCTION CONFORMITY PER SECTION

TAG CODE	REPLY-VALUE	REPLY-COUNT
- CR	3RD SECTION	3
B	INDEPENDENT LINEARITY	
- CR	3RD SECTION	2
C	ZERO BASED LINEARITY	
- CR	3RD SECTION	2
E	ABSOLUTE LINEARITY	
- CR	3RD SECTION	2
F	ABSOLUTE CONFORMITY	

*** END OF DATA ***

OPTIONAL REPLY CODE : -----
<MSG 0600> TYPE AN "X" ON ONE OR MORE REPLY VALUES AND PRESS <PF6>
OR CONDITION IS CURRENTLY ACTIVE
F1=HELP F2=CLEAR SCR F3=LOLA MENU F4=MAIN MENU F5=CANCEL F6=PROCESS
F7= F8= F9= F10=AND F11=DETAIL F12=

a. Screen Explanation. This screen displays the composite reply value for a selected MRC using dimensions as the input characteristic. The Optional Reply Value will enable users to reduce number of reply values and to specify characteristics to be processed. The keywords which may be used to initiate a reply on the LOLMLT screen are MIN, MAX, DISPLAY, PROCESS, TO, ?. In the format entry example below, the criteria is a unit of measure.

ENTRY EXAMPLE:

<u>KEYWORD</u>	<u>CRITERIA</u>	<u>EXPLANATION</u>
DISPLAY	PC000532	to display the characteristics for Table PC000532.
DISPLAY	PC000532 TO ?	to display the characteristics for Table PC000532 to end of file.
DISPLAY	PC000532 TO ST534	to display the characteristics for Tables PC000532 through ST534 inclusive.
PROCESS	PC000532	to process the characteristics for Table PC000532.
PROCESS	PC000532 TO ?	to process the characteristics for Table PC000532 to end of file.
PROCESS	PC000532 TO ST534	to process the characteristics for Tables PC000532 through ST534 inclusive.

Also see LORDIM, LOLNUM, LOLTBL, LOLTXT, and LOLTOL for other characteristics.

b. Field Entry Requirements. The valid field entries are described below.

- (1) Field Name: TAG
 Entry Requirements: May be entered with multiple TAG fields.
 Valid Entries: X
 Results: Transfers to the Characteristics Search Results (LOLRES) screen when F6 (Process) is pressed.

- (2) Field Name: OPTIONAL REPLY VALUE
 Entry Requirement: Must be valid keyword and criteria.
 Valid Entries: DISPLAY, PROCESS, TO
 Results: DISPLAY will reduce number of reply values available with given criteria. PROCESS will transfer to the Characteristics Search Results Screen.

c. Available Function Keys. The following unique function keys may be used from the MRC Reply Selection (Multiple Tables) screen. All standardized FLIS function keys are available. Refer to Section [16.3.2.e](#) of this document.

F5	Cancel	Cancels current search and returns to the screen where the search was started.
F6	Process	Transfers to the Characteristics Search Results (LOLRES) screen.
F7	Page Up	Displays the prior page of the current file being viewed.
F8	Page Down	Displays the next page of the current file being viewed.
F9	Next MRC	Displays the next MRC if more than one was selected.
F10	AND/OR	Toggles between 'AND' and 'OR' processing. If user presses F10 then F6, 'AND' processing will be active. Processing will default to 'OR'.
F12	Text	Transfers to the MRC Reply Selection (Text) screen (LOLTXT) if available for this MRC.

A.52 LOLMOD - MOE Rule Data Decoded Screen

SCRNCD: LOLMOD LOGISTICS ON-LINE ACCESS DATE: 31-OCT-00
USERID: XXXXXXX MOE RULE DATA DECODED TIME: 10:42

ITEM NAME: BRACKET, MOUNTING NSN: 5340-01-234-1112

-----NIIN MOE RULE DATA-----

MOE-RL	AMC	AMSC	NIMSC	EFF-DT	IMC	IMCA	AAC
FGKZ	0	0		99121	Z	TG	

SUPP-COLLABORATORS

SUPP-RECEIVERS

DSOR

-----MOE RULE SPECIFIC DATA-----

MOE-RL	MOE	PICA	PICA-LOA	SICA	SICA-LOA	IMC	IMCA	SUBMTR
FGKZ	DF	KZ	01	TG	5D	Z	TG	KZ

AUTH-COLLABORATORS
KZ TU

AUTH-RECEIVERS
KZ TU

** END OF VIEW **

<MSG 0640> NO FUTURES DATA AVAILABLE

F1=HELP F2=CLEAR SCR F3=PREV MENU F4=MAIN MENU F5=CANCEL F6=
F7=PAGE UP F8=PAGE DOWN F9= F10= F11= F12= F12=

a. Screen Explanation. This screen displays the inquiry results when the user chooses the CRT as the output media and the MOE Rule Data Decoded View as an output media.

b. Field Entry Requirements. There are no field entries for this screen.

c. Available Function Keys. The following unique function keys may be used from the MOE Rule Data Decoded screen. All standardized FLIS function keys are available. Refer to Section [16.3.2.e](#) of this document.

F5	Cancel	Cancels current search and returns to the screen where the search was started.
F6	Prev NSN	Displays the previous NSN if more than one NSN was selected.
F7	Page Up	Displays the prior page of the current file being viewed.
F8	Page Down	Displays the next page of the current file being viewed.
F9	Next NSN	Displays the next NSN if more than one NSN was selected.
F10	Print	Sends the information displayed to the printer associated with your terminal. Available only after special access has been granted by the security administrator for your facility.
F12	Futures/Current	If presently displaying current data, F12 will display next available futures data. If presently displaying futures data and there is no more futures data to be displayed, F12 will display current data.

a. **Screen Explanation.** This screen displays the inquiry results when the user chooses the CRT as the output media and the MOE Rule Data Coded Segment View as an output option. When multiple screens are needed to display information, MORE DATA, END OF DATA, or END OF VIEW will appear at the bottom of the screen.

b. **Field Entry Requirements.** There are no field entries for this screen.

c. **Available Function Keys.** The following unique function keys may be used from the MOE Rule Data Coded screen. All standardized FLIS function keys are available. Refer to Section [16.3.2.e](#) of this document.

F5	Cancel	Cancels current search and returns to the screen where the search was started.
F6	Prev NSN	Displays the previous NSN if more than one NSN was selected.
F7	Page Up	Displays the prior page of the current file being viewed.
F8	Page Down	Displays the next page of the current file being viewed.
F9	Next NSN	Displays the next NSN if more than one NSN was selected.
F10	Print	Sends the information displayed to the printer associated with your terminal. Available only after special access has been granted by the security administrator for your facility.
F12	Futures/Current	If presently displaying current data, F12 will display next available futures data. If presently displaying futures data and there is no more futures data to be displayed, F12 will display current data.

A.54 LOLMRC - MRC Pick List Screen

SCRNCD: LOLMRC LOGISTICS ON-LINE ACCESS DATE: 01-NOV-00
USERID: XXXXXXX MRC PICK LIST TIME: 13:00

INC: 11345 ITEM NAME: COVER,BEDSIDE CABIN

TAG	MRC	DESCRIPTION	REPLY-COUNT
_	CNTB	MARBLEIZED COLOR	2
_	APEA	SURFACE CONDITION	1
_	AFEF	INSIDE DEPTH	1
_	ADJU	INSIDE LENGTH	1
_	MATL	MATERIAL	1
_	FEAT	SPECIAL FEATURES	1
_	ADJT	INSIDE WIDTH	1

**** END OF DATA ****

<MSG 0523> PICK ONE OR MORE MRC`S AND PRESS APPROPRIATE FUNCTION KEY

F1=HELP F2=CLEAR SCR F3=LOLA MENU F4=MAIN MENU F5=CANCEL F6=PROCESS
F7= F8= F9= F10= F11= F12=

a. **Screen Explanation.** This screen displays a list of MRCs related to the INC or Item Name inquired by the user. The user may select one or more MRC for further processing. When multiple screens are needed to display information, MORE DATA or END OF DATA will appear at the bottom of the screen. The last screen in the series will also display the Totals for all fields.

b. **Field Entry Requirements.** The valid field entries are described below. Other fields shown on the screen are display-only fields and will display data based on the entries made.

(1) Field Name:	TAG
Entry Requirement:	May be entered as multiple entries with other selected TAG items.
Valid Entries:	X
Results:	Transfers to the appropriate MRC Reply Selection screen.

c. **Available Function Keys.** The following unique function keys may be used from the MRC Pick List screen. All standardized FLIS function keys are available. Refer to Section [16.3.2.e](#) of this document.

F5	Cancel	Cancels current search and returns to the screen where the search was started.
F6	Process	Transfers to the appropriate MRC Reply Selection screen for selected MRCs.
F7	Page Up	Displays the prior page of the current file being viewed.
F8	Page Down	Displays the next page of the current file being viewed.

A.55 LOLMUL - Multiple NIIN Inquiry

SCRNCD: LOLMUL LOGISTICS ON-LINE ACCESS DATE: 02-NOV-00
USERID: XXXXXXX START MULTIPLE NIIN INQUIRY TIME: 10:59

SUBMITTERS MEMO ID: _____

NIIN(S) INQUIRY:

---	---	---	---	---	---	---	---
---	---	---	---	---	---	---	---
---	---	---	---	---	---	---	---
---	---	---	---	---	---	---	---
---	---	---	---	---	---	---	---
---	---	---	---	---	---	---	---
---	---	---	---	---	---	---	---

*** ENTER 1 OR MORE NIINS PRESS THE ENTER KEY OR APPROPRIATE PF KEY ***

<MSG 3000> ENTER SUBMITTERS ID/NIIN(S) TO PROCESS

F1=HELP F2=CLEAR SCR F3=LOLA MENU F4=MAIN MENU F5=CANCEL F6=
F7= F8= F9= F10=SELECT OUTPUT OPTIONS F12=USER PROF

a. **Screen Explanation.** This screen is displayed when a user presses the F6 key from the Start Inquiry Screen (LOLINQ). It allows the user to enter NIINs from 1 to 24, a Submitters-ID, the option to go to Select Output Options (LOLOUT) and the output media desired.

b. **Field Entry Requirements.** The valid field entries are described below.

- | | | |
|-----|---------------------|--|
| (1) | Field Name: | SUBMITTERS MEMO ID |
| | Entry Requirements: | Any ID the user wants. If the user does not submit an ID, it outputs the user's usercode. |
| | Valid Entries: | Any ID or leave blank. |
| | Results: | Enters the ID or user's usercode. |
| (2) | Field Name: | NIIN(S) INQUIRY |
| | Entry Requirement: | Enter NIINs from 1 to 24 |
| | Valid Entries: | Any valid NIIN or PSCN. First two characters and last four characters of NIIN must be numeric. Others may be alpha or numeric. |
| | Results: | Sends output as defined on the Select Inquiry Output Option (LOLOUT) screen for the first NIIN requested. After all data is seen for the first NIIN, the second NIIN's data will appear. |

c. **Available Function Keys.** The following unique function keys may be used from the Start Inquiry screen. All standardized FLIS function keys are available. Refer to Section [16.3.2.e](#) of this document.

- | | | |
|-----|-----------------------|---|
| F10 | Select Output Options | Transfers to Select Inquiry Output Options (LOLOUT) screen. |
| F12 | USER PROF | Displays user's profile. Allows user to change printer number associated to the terminal. |

A.56 LOLNOT - FSG Group Notes Screen

SCRNCD: LOLNOT LOGISTICS ON-LINE ACCESS DATE: 02-NOV-00
USERID: XXXXXXX FSG GROUP NOTES TIME: 07:23

FSG: 58 Communication, Detection, and Coherent Radiation Equipment

Note-Excludes oscillator items which should be classified in FSC 5955 or 5963; fiber optic items which should be classified in Group 60; electronic modules as defined under Class 5963; and electrical cable, cord and wire assemblies, harnesses and sets, related to FSG 58 equipment (see FSC 5995). In Group 58, more than in any other group, it frequently happens that the same name is listed as an index entry in each of several classes. In addition, that name may also appear as an entry in groups other than 58. Each such entry refers to a distinctly different part or assembly, even though the different items have the same name. The listing of the same names in two or more classes indicates that, in one form, the part or assembly covered by the name is applicable to the equipment covered by one class, and in another form is applicable to the equipment covered by another class. For example, the item name CODER, AUDIO FREQUENCY is applicable to two distinctly different assemblies, one of which has an application in cryptologic equipment, covered by Class 5810, and the

 ** MORE **

<MSG 0520> PRESS APPROPRIATE PF KEY FOR THE PROCESSING DESIRED

F1=HELP F2=CLEAR SCR F3=LOLA MENU F4=MAIN MENU F5=START SEARCH SCREEN
F7=PAGE UP F8=PAGE DOWN F9=FSG TITLES F10=FSC DATA F11= F12=

a. **Screen Explanation.** This screen displays the notes for a selected FSG. When multiple screens are needed to display information, MORE DATA or END OF DATA will appear at the bottom of the screen. The last screen in the series will also display the Totals for all fields.

b. **Field Entry Requirements.** There are no field entries for this screen. Other fields shown on the screen are display-only fields and will display data based on the entries made.

c. **Available Function Keys.** The following unique function keys may be used from the FSG Group Notes screen. All standardized FLIS function keys are available. Refer to Section [16.3.2.e](#) of this document.

F5	Start Search Screen	Transfers to the FSG/FSC Item Name Screen Search (LOLSRC) screen.
F7	Page Up	Displays the prior page of the current file being viewed.
F8	Page Down	Displays the next page of the current file being viewed.
F9	FSG Titles	Transfers to the Federal Supply Group Titles (H2-1 Contents) (LOLFSG) screen.
F10	FSC Data	Transfers a selected FSG title to the FSC Data (LOLDES) screen.

A.57 LOLNUM - MRC Reply Selection (Numbers) Screen

SCRNCD: LOLNUM LOGISTICS ON-LINE ACCESS DATE: 02-NOV-00
USERID: XXXXXX MRC REPLY SELECTION (NUMBERS) TIME: 11:06

INC: 48456 ITEM NAME: BANDAGE,GAUZE,IMPRE
MRC: AGUC UNIT PACKAGE QUANTITY

TAG	NUMBER	REPLY-COUNT
-	1.00000000	1
-	12.00000000	6

**** END OF DATA ****

OPTIONAL CODED VALUE: -----
<MSG 0600> TYPE AN "X" ON ONE OR MORE REPLY VALUES AND PRESS <PF6>
OR CONDITION IS CURRENTLY ACTIVE
F1=HELP F2=CLEAR SCR F3=LOLA MENU F4=MAIN MENU F5=CANCEL F6=PROCESS
F7= F8= F9= F10=AND F11= F12=

a. Screen Explanation. This screen displays the reply value for a selected MRC using dimensions as the input characteristic. The Optional Reply Value will enable the user to reduce the number of reply values and to specify characteristics to be processed. The keywords which may be used to initiate a reply on the LOLNUM screen are MIN, MAX, DISPLAY, PROCESS, TO, ?. In the format entry example below, the criteria is a unit of measure.

ENTRY EXAMPLE:

<u>KEYWORD</u>	<u>CRITERIA</u>	<u>EXPLANATION</u>
DISPLAY	5	to display the characteristics for the number 5.
DISPLAY	5 TO ?	to display the characteristics for the number 5 to end of file.
DISPLAY	5 TO 25	to display the characteristics for the numbers 5 through 25 inclusive.
PROCESS	5	to process the characteristics for the number 5.
PROCESS	5 TO ?	to process the characteristics for the number 5 to end of file.
PROCESS	5 TO 25	to process the characteristics for the numbers 5 through 25 inclusive.

Also see LOLDIM, LOLMLT, LOLTBL, LOLTXT, and LOLTOL for other characteristics.

b. Field Entry Requirements. The valid field entries are described below.

- | | | |
|-----|--------------------|---|
| (1) | Field Name: | TAG |
| | Entry Requirement: | May be entered as with multiple TAG fields. |
| | Valid Entries: | X |
| | Results: | Transfers to the Characteristics Search Results (LOLRES) screen when F6 (Process) is pressed. |
| | | |
| (2) | Field Name: | OPTIONAL REPLY VALUE |
| | Entry Requirement: | Must be valid keyword and criteria. |
| | Valid Entries: | DISPLAY, PROCESS, TO, ? |
| | Results: | DISPLAY will reduce number of reply values available with given criteria. PROCESS will transfer to the Characteristics Search Results Screen. |

c. Available Function Keys. The following unique function keys may be used from the MRC Reply Selection (Numbers) screen. All standardized FLIS function keys are available. Refer to Section [16.3.2.e](#) of this document.

F5	Cancel	Cancels current search and returns to the screen where the search was started.
F6	Process	Transfers to the Characteristics Search Results (LOLRES) screen.
F7	Page Up	Displays the prior page of the current file being viewed.
F8	Page Down	Displays the next page of the current file being viewed.
F9	Next MRC	Displays the next MRC if more than one was selected.
F10	And/Or	Toggles between 'AND' and 'OR' processing. If user presses F10 and F6, 'AND' processing will be active. Processing will default to 'OR'.
F12	Text	Transfers to the MRC Reply Selection (Text) screen.

A.58 LOLOUT - Select Inquiry Output Options Screen

FARNCD: LOLOUT LOGISTICS ON-LINE ACCESS DATE: 31-OCT-00
USERID: XXXXXXX SELECT INQUIRY OUTPUT OPTIONS TIME: 07:52

OUTPUT MEDIA: C (CRT), P (PRINTER), O (OVERNIGHT)=> C

_ IDENTIFICATION DATA _ MOE RULE DATA CODED _ *MOE RULE DATA DECODED
_ REF/PART NUMBER DATA _ STANDARDIZATION DATA _ FREIGHT DATA
_ MANAGEMENT/PHRASE DATA _ PACKAGING DATA _ I & S DATA
_ *CODED CHARACTERISTICS _ DECODED CHARACTERISTICS X *BASIC REFERENCE DATA
 _ *REQUISITION DATA _ *CAGE/SUPPLIER DATA

 DESKCODE: _____
SUBMITTERS MEMO ID: LSC1581

<MSG 0530> ENTER CHANGES - PRESS APPROPRIATE PF KEY TO CONTINUE

F1=HELP F2=CLEAR SCR F3=PREV MENU F4=MAIN MENU F5=PREV SCR F6=PROCESS
F9= F10= F11=TAG ALL EXCEPT VIEWS WITH * F12=TAG ALL

a. Screen Explanation. This screen allows the user to select how the results of an inquiry will be output.

b. Field Entry Requirements. The valid field entries are described below.

- (1) Field Name: OUTPUT MEDIA
Entry Requirement: Must be entered in combination with at least one other option.
Valid Entries: C or P
Results: Will sent Inquiry Results to the CRT or the printer associated with your workstation.
- (2) Field Name: IDENTIFICATION DATA
Entry Requirement: May be entered in combination with any option.
Valid Entries: X
Results: Will display the Identification Data (LOLIDD) screen at the end of the inquiry search.
- (3) Field Name: REF/PART NUMBER DATA
Entry Requirement: May be entered in combination with any option.
Valid Entries: X
Results: Will display the Reference/Part Number Data (LOLXRF) screen at the end of the inquiry search.
- (4) Field Name: MANAGEMENT PHRASE DATA
Entry Requirement: May be entered in combination with any option.
Valid Entries: X
Results: Will display the Management Data (LOLMGT) screen at the end of the inquiry search.
- (5) Field Name: CODED CHARACTERISTICS
Entry Requirement: May be entered in combination with any option.
Valid Entries: X
Results: Will display the Coded Characteristics at the end of the inquiry search.
- (6) Field Name: MOE RULE DATA CODED
Entry Requirement: May be entered in combination with any option.
Valid Entries: X
Results: Will display the MOE Rule Data Coded (LOLMOE) screen at the end of the inquiry search.

- (7) Field Name: STANDARDIZATION DATA
Entry Requirement: May be entered in combination with any option.
Valid Entries: X
Results: Will display the Standardization Data (LOLSTD) screen at the end of the inquiry search.
- (8) Field Name: PACKAGING DATA
Entry Requirement: May be entered in combination with any option.
Valid Entries: X
Results: Will display the Packaging Data (LOLPKG) screen at the end of the inquiry search.
- (9) Field Name: DECODED CHARACTERISTICS
Entry Requirement: May be entered in combination with any option.
Valid Entries: X
Results: Will display the decoded characteristics at the end of the inquiry search.
- (10) Field Name: MOE RULE DATA DECODED
Entry Requirement: May be entered in combination with any option.
Valid Entries: X
Results: Will display the MOE Rule Data Decoded (LOLMOD) screen at the end of the inquiry search.
- (11) Field Name: FREIGHT DATA
Entry Requirement: May be entered in combination with any option.
Valid Entries: X
Results: Will display the Freight Data (LOLFRT) screen at the end of the inquiry search.
- (12) Field Name: I&S DATA
Entry Requirement: May be entered in combination with any option.
Valid Entries: X
Results: Will display the I&S Data (LOLIAS) screen at the end of the inquiry search.
- (13) Field Name: BASIC REFERENCE DATA
Entry Requirement: May be entered in combination with any option.
Valid Entries: X

Results: Will display the Basic Reference Data (LOLBAS) screen at the end of the inquiry search screen.

(14) Field Name: REQUISITION DATA
Entry Requirement: May be entered in combination with any option.
Valid Entries: X
Results: Will display the Requisition Data (LOLREQ) screen at the end of the inquiry search.

(15) Field Name: CAGE/SUPPLIER DATA
Entry Requirement: May be entered in combination with any option.
Valid Entries: X
Results: Will display the CAGE/Supplier Data (LOLSUP) screen at the end of the inquiry search.

c. Available Function Keys. The following unique function keys may be used from the Select Inquiry Output Options screen. All standardized FLIS function keys are available. Refer to Section [16.3.2.e](#) of this document.

F5	Prev Scr	Returns to the previous screen.
F6	Process	Continues the current search process or returns to the Start Inquiry (LOLINQ) screen if no search is in progress.
F11	Tag All But Coded	Selects all output options except Coded Characteristics, Decoded MOE Rule, Basic Reference, Requisition and CAGE/Supplier.
F12	Tag All	Selects all output options.

A.59 LOLPHR - PHRASE DATA

SCRNCD: LOLPHR LOGISTICS ON-LINE ACCESS DATE: 17-JUN-03
USERID: INTEGRATED MATERIEL MANAGER TIME: 12:04

ITEM NAME: CIRCUIT CARD ASSEMBLY NSN: 5998-

MOE: DN PHRS-CD PHRASE-CODE-DATA ORDER-OF-USE JUMP-TO-CODE GIIC QPA UM

 R NET PRICE 1928.00

** END OF DATA **

<MSG 0520> PRESS APPROPRIATE PF KEY FOR THE PROCESSING DESIRED

1 NSN(S) SELECTED FOR OUTPUT

F1=HELP F2=CLEAR SCR F3=PREV MENU F4=MAIN MENU F5=CANCEL F6=
F7=PAGE UP F8=PAGE DOWN F9= F10= F11= F12=

a. **Screen Explanation.** This screen displays the inquiry results when the user chooses the CRT as the output media and the Management/Phrase Segment View as an output option.

b. **Field Entry Requirements.** There are no field entries for this screen.

c. **Available Function Keys.** The following unique function keys may be used from the Management/Phrase Data screen. All standardized FLIS Function keys are available. Refer to Section [16.3.2.e](#) of this document.

F5	Cancel	Cancels current search and returns to the screen where the search was started.
F6	Prev NSN	Displays the previous NSN if more than one NSN was selected.
F7	Page Up	Displays the prior page of the current file being viewed.
F8	Page Down	Displays the next page of the current file being viewed.
F9	Next NSN	Displays the next NSN if more than one NSN was selected.

A.59 LOLPKG - PACKAGING DATA PICA

```

SCRNCD: LOLPKG                LOGISTICS ON-LINE ACCESS        DATE: 31-OCT-00
USERID: XXXXXXX              PACKAGING DATA PICA           TIME: 08:48
NSN: 5340-01-234-1111        ITEM NAME: BRACKET,MOUNTING     U/I:
ITEM WEIGHT:                  ITEM DIMENSIONS:

```

CAT CODE			METH C				UNIT L								
P/C	W/F	P	TOS	QUP	ICQ	PRES	N	PRES	WRAP	CUSH	THK	CNTR	P	IC	UCL

	SPC		UNIT PACK		UNIT PACK		UNIT PACK	
LEVEL A:	MKG	PACKING	WEIGHT	LENGTH	WIDTH	DEPTH	CUBE	OPI
B:								
C:								

<MSG 0520> PRESS APPROPRIATE PF KEY FOR THE PROCESSING DESIRED

F1=HELP F2=CLEAR SCR F3=PREV MENU F4=MAIN MENU F5=CANCEL F6=
 F7=PAGE UP F8=PAGE DOWN F9= F10=SICA DAT F11=SUPL INS F12=

a. **Screen Explanation.** This screen displays the packaging data inquiry results when the user chooses the CRT as the output media. When multiple screens are needed to display information MORE DATA, END of DATA or END of VIEW will appear at the bottom of the screen.

b. **Field Entry Requirements.** There are no field entries for this screen. Other fields shown on the screen are display only fields and will display data based on entries made.

c. **Available Function Keys.** The following unique function keys may be used from the Packaging Data PICA screen. All standardized FLIS Function keys are available. Refer to Section [16.3.2.e](#) of this document.

F5	Cancel	Cancels current search and returns to the screen where the search was started.
F6	Prev NSN	Displays the previous NSN if more than one NSN was selected.
F7	Page Up	Displays the prior page of the current file being viewed.
F8	Page Down	Displays the next page of the current file being viewed.
F9	Next NSN	Displays the next NSN if more than one NSN was selected.
F10	Print	Sends the information displayed to the printer associated with your terminal. Available only after special access has been granted by the security administrator for your facility.
F12	Futures/Current	If presently displaying current data, F12 will display next available futures data. If presently displaying futures data and there is no more next futures data to be displayed, F12 will display current data.

a. **Screen Explanation.** This screen displays a list of part numbers based on the part number or partial part number entered. It will display only the first 112 lines, if a partial part number was entered.

b. **Field Entry Requirements.** The valid field entries are described below.

(1) Field Name:	TAG
Entry Requirement:	To select given Part Numbers, place an X in the Tag field to the left of the desired PN(s). Press F6 (Process) when all desired PN(s) are selected.
Valid Entries:	X
Results:	Sends output as defined on the Select Inquiry Output Options (LOLOUT) screen.

c. **Available Function Keys.** The following unique function keys may be used from the Item PN Pick List screen. All standardized FLIS function keys are available. Refer to Section [16.3.2.e](#) of this document.

F5	Cancel	Cancels current search and returns to the screen where the search was started.
F6	Process	Sends output as defined on the Select Inquiry Output Options (LOLOUT) screen.
F7	Page Up	Displays the prior page of the current file being viewed.
F8	Page Down	Displays the next page of the current file being viewed.
F10	Change Output Options	Transfers to Select Inquiry Output Options (LOLOUT).
F12	Proc All	Selects and processes all Part Numbers on the current list.

The system limits the number of matches you will see on-line for PART NUMBER SEARCH.

You may continue with the search by specifying more search conditions.

To obtain additional matches for this search, call or forward your request to DLIS's Customer Service Office 1-888-352-9333, email: dlis-support@dlis.dla.mil. Please specify how you want the output.

A.61 LOLREQ - Requisition Data Screen

SCRNCD: LOLREQ LOGISTICS ON-LINE ACCESS DATE: 31-OCT-00
USERID: XXXXXXX REQUISITION DATA TIME: 08:51

FIIG	INC	ITEM-NAME	SOS	NSN	
A042A0	38089	BRACKET,MOUNTING	S9I	5340-01-234-1111	
UI	AAC	UNIT-PRICE	TYPE	DMIL	RPDMRC
EA	J	5.46	M	A	3

MRC	REQUIREMENT-STATEMENT	CLEAR-TEXT-REPLY
NAME	ITEM NAME	BRACKET,MOUNTING
FEAT	SPECIAL FEATURES	AL ALY TYPE 2024 COND-0,QQ-A-355; ANODIZED MIL-A-8625 TYPE 2; 0A LG 2.750 IN.,0A W 0.656 IN.,0.128 IN.; 3 HOLES UNEQUALLY SPACED DIA 0.190 IN.; IRREGULAR SHAPE
SR-5	THE MANUFACTURERS DATA	
	MANUFACTURERS CODE	78385
	DESIGN CONTROL REFERENCE	130B2762
	** END OF VIEW **	

F1=HELP F2=CLEAR SCR F3=PREV MENU F4=MAIN MENU F5=CANCEL F6=
F7=PAGE UP F8=PAGE DOWN F9= F10= F11= F12=

a. **Screen Explanation.** This screen displays the inquiry results when the user chooses the CRT as the output media and the Requisition Data Segment View as an output option. When multiple screens are needed to display information, MORE DATA, END OF DATA, or END OF VIEW will appear at the bottom of the screen.

b. **Field Entry Requirements.** There are no field entries for this screen.

c. **Available Function Keys.** The following unique function keys may be used from the Requisition Data screen. All standardized FLIS function keys are available. Refer to Section [16.3.2.e](#) of this document.

F5	Cancel	Cancels current search and returns to the screen where the search was started.
F6	Prev NIIN	Displays the previous NIIN if more than one NIIN was selected.
F7	Page Up	Displays the prior page of the current file being viewed.
F8	Page Down	Displays the next page of the current file being viewed.
F9	Next NIIN	Displays the next NIIN if more than one NIIN was selected.
F10	Print	Sends the information displayed to the printer associated with your terminal. Available only after special access has been granted by the security administrator for your facility.

A.62 LOLRES - Characteristics Search Results Screen

SCRNCD: LOLRES LOGISTICS ON-LINE ACCESS DATE: 01-NOV-00
USERID: XXXXXXX CHARACTERISTICS SEARCH RESULTS TIME: 12:58

INC: 11345 ITEM NAME: COVER,BEDSIDE CABIN TOTAL NIINS: 1

TAG NIIN TAG NIIN TAG NIIN TAG NIIN

_ 00-708-9027

 ** END OF DATA **

SECONDARY SEARCH BY CAGE CODE: _____ NUMBER OF SELECTED NIINS: 0
ENTER OUTPUT MEDIA - (C)CRT, (P)PRINTER : C

<MSG 0621> PRESS <ENTER> TO SEARCH BY CAGE CODE, <PF6> TO PROCESS

F1=HELP F2=CLEAR SCR F3=LOLA MENU F4=MAIN MENU F5=CANCEL F6=PROCESS
F7= F8= F10=REDO SEARCH F11=ROUTE TO INQUIRY F12=TAG ALL

a. Screen Explanation. This screen displays the results of the search being processed and allows the user to select the method of output. It also allows the user to limit the scope of the search to a specific CAGE Code or to redo the MRC criteria for the current search prior to selecting output options.

b. Field Entry Requirements. The valid field entries are described below.

- | | |
|--------------------|--|
| (1) Field Name: | SECONDARY SEARCH BY CAGE CODE |
| Entry Requirement: | Any valid CAGE Code. |
| Valid Entries: | Enter a valid CAGE Code and press Enter. |
| Results: | Returns to the Characteristics Search Results screen. |
| (2) Field Name: | TAG |
| Entry Requirement: | May be entered as multiple entries with other selected TAG. |
| Valid Entries: | X |
| Results: | Transfers to the NIIN Search Results (LOLMDC) screen when F6 (Process) is pressed. |
| (3) Field Name: | ENTER OUTPUT MEDIA |
| Entry Requirement: | As defined on the screen. |
| Valid Entries: | As defined on the screen. |
| Results: | Sends each NIIN to the selected location. |

c. Available Function Keys. The following unique function keys may be used from the Characteristics Search Results screen. All standardized FLIS function keys are available. Refer to Section [16.3.2.e](#) of this document.

- | | |
|----------------------|--|
| F5 Cancel | Cancels current search and returns to the screen where the search was started. |
| F6 Process | Displays the search results as defined in the Enter Output Media field. |
| F7 Page Up | Displays the prior page of the current file being viewed. |
| F8 Page Down | Displays the next page of the current file being viewed. |
| F10 Redo Search | Transfers to the MRC Pick List (LOLMRC) screen. |
| F11 Route to Inquiry | Transfers to the Select Inquiry Output Options screen for inquiry processing. |
| F12 Tag All | Selects and processes all NIINs on the current list. |

A.63 LOLSAC - MRC SAC Selection Screen

SCRNCD: LOLSAC LOGISTICS ON-LINE ACCESS DATE: 02-NOV-00
USERID: XXXXXXX MRC SAC SELECTION SCREEN TIME: 13:12

INC: 37408 RESISTOR,VARIABLE,W
MRC: CQCC ELECTRICAL RESISTANCE PER SECTION

TAG SAC DESCRIPTION

- N/A NO SAC VALUE
- A
- B
- C
- D
- E
- F
- G
- H
- J

 ** END OF DATA **

<MSG 0599> SELECT ONE SAC AND PRESS <PF6>

F1=HELP F2=CLEAR SCR F3=LOLA MENU F4=MAIN MENU F5=CANCEL F6=PROCESS
F7= F8= F9= F10= F11= F12=

a. **Screen Explanation.** This screen displays the Secondary Address Code (SAC) and description for a selected MRC. The user may select one of the SAC listed to process the appropriate reply selection screen. The screen will only appear if the selected MRC has at least one associated SAC. When multiple screens are needed to display information, MORE DATA or END OF DATA will appear at the bottom of the screen. The last screen in the series will also display the Totals for all fields.

b. **Field Entry Requirements.** The valid field entries are described below. Other fields shown on the screen are display-only fields and will display data based on the entries made.

- | | |
|--------------------|---|
| (1) Field Name: | TAG |
| Entry Requirement: | None. |
| Valid Entries: | Tab to the desired SAC and press F6 (Process). |
| Results: | Transfers to the selected reply selection screen. |

c. **Available Function Keys.** The following unique function keys may be used from the MRC SAC Selection Screen. All standardized FLIS function keys are available. Refer to Section [16.3.2.e](#) of this document.

- | | | |
|----|-----------|--|
| F5 | Cancel | Cancels current search and returns to the screen where the search was started. |
| F6 | Process | Transfers to the selected reply screen. |
| F7 | Page Up | Displays the prior page of the current file being viewed. |
| F8 | Page Down | Displays the next page of the current file being viewed. |

A.64 LOLSRC - Start FSG/FSC Item Name Search Screen

SCRNCD: LOLSRC LOGISTICS ON-LINE ACCESS DATE: 02-NOV-00
USERID: XXXXXXX START FSG/FSC ITEM NAME SEARCH TIME: 13:14

 ---- SEARCH BY ----
ITEM NAME: _____
 OR
KEYWORD: _____

 OR
FIIG: _____

 ---- OR GET ----
 INC DATA: _____

 ---- OR GET ----
 FSG/FSC DATA: _____

<MSG 0531> ENTER ONE CRITERIA AND PRESS <ENTER> KEY
YOU HAVE PRPY ACCESS
F1=HELP F2=CLEAR SCR F3=LOLA MENU F4=MAIN MENU F5=INC/FSC EFF/CHGS
F9= F10=FSC DATA(CAN-INC`S) F11=INC/FSC DESC/FSG NOTES F12=USER PROF

a. Screen Explanation. This screen allows the user to enter the criteria to initiate an FSG/FSC or item name search.

b. Field Entry Requirements. The valid field entries are described below.

- | | | |
|-----|--------------------|--|
| (1) | Field Name: | ITEM NAME |
| | Entry Requirement: | Must be a single entry only. |
| | Valid Entries: | Any valid Item Name and press Enter. |
| | Results: | Transfers to either the Item Name/Keyword Search Response (LOLINR) screen. |
| (2) | Field Name: | KEYWORD |
| | Entry Requirement: | Must be a single entry only (can enter 1-3 keywords). |
| | Valid Entries: | Any valid Keyword and press Enter. |
| | Results: | Transfers to either the Item Name/Keyword Search Response (LOLINR) screen. |
| (3) | Field Name: | FIIG |
| | Entry Requirement: | Must be a single entry only. |
| | Valid Entries: | Any valid FIIG and press Enter. |
| | Results: | Transfers to the FIIG Search Response (LOLFGR) screen. |
| (4) | Field Name: | INC DATA |
| | Entry Requirement: | Must be a single entry only. |
| | Valid Entries: | Any valid INC and press Enter (must be numeric or alpha G-Z on position 1, numeric on all others). |
| | Results: | Transfers to the Item Name Data (LOLIND) screen. |
| (5) | Field Name: | FSG/FSC DATA |
| | Entry Requirement: | Must be a single entry only. |
| | Valid Entries: | Any valid FSG or FSC. |
| | Results: | Transfers to the FSG Titles (LOLFSG) screen if an FSG is entered. Transfers to the FSC Data (LOLDES) if an FSC is entered. |

c. Available Function Keys. The following unique function keys may be used from the Start FSG/FSC Item Name Search screen. All standardized FLIS function keys are available. Refer to Section [16.3.2.e](#) of this document.

- | | | |
|-----|--|---|
| F5 | INC/FSC EFF DTD Changes | Transfers to the Item Name Change Dated (LOLICH) screen with a valid Item Name, or to the FSC Change Dated (LOLFCH) Screen with a valid FSC. |
| F10 | FSC DATA (Canceled INCs) | Transfers to FSC Data Cancelled INC (LOLDES) screen which displays all cancelled INCs for this FSC. |
| F11 | Item Name Definition/
FSC Description/FSG Notes | Transfers to the Item Name Definition (LOLINC) screen with a valid INC, or to the FSC Description (LOLFSC) screen with a valid FSC or to FSG Group Notes (LOLNOT) with valid FSG. |
| F12 | USER PROFILE | Displays profile of user. Allows user to change printer associated to terminal. |

A.65 LOLSTD - Standardization Data Screen

SCRNCD: LOLSTD LOGISTICS ON-LINE ACCESS DATE: 31-OCT-00
USERID: XXXXXXX STANDARDIZATION DATA TIME: 08:47

ITEM NAME: BRACKET, MOUNTING NSN: 5340-01-234-1111

RELATED-NSN	ISC	ORG-STDZN-DEC	DT-STDZN-DEC	NIIN-STAT-CODE
	5	97	86159	0

** END OF VIEW **

<MSG 0520> PRESS APPROPRIATE PF KEY FOR THE PROCESSING DESIRED

F1=HELP F2=CLEAR SCR F3=PREV MENU F4=MAIN MENU F5=CANCEL F6=
F7=PAGE UP F8=PAGE DOWN F9= F10= F11= F12=

a. **Screen Explanation.** This screen displays the inquiry results when the user chooses the CRT as the output media and the Standardization Data Segment View as an output option. When multiple screens are needed to display information, MORE DATA, END OF DATA, or END OF VIEW will appear at the bottom of the screen.

b. **Field Entry Requirements.** There are no field entries for this screen.

c. **Available Function Keys.** The following unique function keys may be used from the Standardization Data screen. All standardized FLIS function keys are available. Refer to Section [16.3.2.e](#) of this document.

F5	Cancel	Cancels current search and returns to the screen where the search was started.
F6	Prev NSN	Displays the previous NSN if more than one NSN was selected.
F7	Page Up	Displays the prior page of the current file being viewed.
F8	Page Down	Displays the next page of the current file being viewed.
F9	Next NSN	Displays the next NSN if more than one NSN was selected.
F10	Print	Sends the information displayed to the printer associated with your terminal. Available only after special access has been granted by the security administrator for your facility.

A.66 LOLSUP - CAGE/Supplier Data Screen

SCRNCD: LOLSUP LOGISTICS ON-LINE ACCESS DATE: 31-OCT-00
USERID: XXXXXXX CAGE/SUPPLIER DATA TIME: 08:51
ITEM NAME: BRACKET,MOUNTING NSN: 5340-01-234-1111

CAGE CODE: 78385 AFFILIATED CAGE CODE: 57733
PHONE NUMBER =====> VOICE: 317-486-2600 FAX: 317-486-2607
COMPANY NAME STEWART WARNER SOUTH WIND CORP
AND ADDRESS : 2495 DIRECTORS ROW SUITE F

INDIANAPOLIS
IN
46241-5534

TYPE =====> A U.S./CANADA MANUFACTURERS
STATUS =====> A ACTIVE. COMPANY CURRENTLY IN OPERATION. APPLICAB
** END OF DATA **

<MSG 0520> PRESS APPROPRIATE PF KEY FOR THE PROCESSING DESIRED

F1=HELP F2=CLEAR SCR F3=PREV MENU F4=MAIN MENU F5=CANCEL F6=
F7=PAGE UP F8=PAGE DOWN F9= F10=EXP-CAGE F11=

a. **Screen Explanation.** This screen displays the inquiry results when the user chooses the CRT as the output media and the CAGE/Supplier Data Segment View as the output option.

b. **Field Entry Requirements.** There are no field entries for this screen.

c. **Available Function Keys.** The following unique function keys may be used from the CAGE/Supplier Data screen. All standardized FLIS function keys are available. Refer to Section [16.3.2.e](#) of this document.

F5	Cancel	Cancels current search and returns to the screen where the search was started.
F6	Prev NSN	Displays the previous NSN if more than one NSN was selected.
F7	Page Up	Displays the prior page of the current file being viewed.
F8	Page Down	Displays the next page of the current file being viewed.
F9	Next NSN	Displays the next NSN if more than one NSN was selected. Returns to Item Cage Pick List if user came from there.
F10	Print	Sends the information displayed to the printer associated with your terminal. Available only after special access has been granted by the security administrator for your facility.

A.67 LOLTBJ - DAAS SOS Record

SCRNCD: LOLTBJ
USERID: XXXXXXX

LOGISTICS ON-LINE ACCESS
DAAS SOS RECORD

DATE: 02-NOV-00
TIME: 12:47

ITEM NAME: SEAT,VALUE

NSN: 4810-01-365-9124

```
-----  
MOE CD: DS   EFF-DT  IMM  DRN      ARMY  AF    NAVY  NAVY SP  INACT SOS  
-----  
          99033   S9C  0274      XZZ   S9C   S9C   AZ
```

** END OF VIEW **

<MSG 0520> PRESS APPROPRIATE PF KEY FOR THE PROCESSING DESIRED

1 NSN(S) SELECTED FOR OUTPUT

F1=HELP F2=CLEAR SCR F3=PREV MENU F4=MAIN MENU F5=CANCEL F6=
F7= F8= F9= F10= F11= F12=

a. **Screen Explanation.** This screen displays the DAAS Source of Supply (SOS) record in Management Data for the selected NIIN.

b. **Field Entry Requirements.** There are no field entries for this screen. Other fields shown on the screen are display only fields and will display data based on entries made.

c. **Available Function Keys.** The following unique function keys may be used from the DAAS SOS Record screen. All standardized FLIS function keys are available. Refer to Section [16.3.2.e](#) of this document.

F5	Cancel	Cancels current search and returns to the screen where the search was started.
F12	Futures/Current	If presently displaying current data, F12 will display next available futures data. If presently displaying futures data and there is no more futures data to be displayed, F12 will display current data.

A.68 LOLTBL - MRC Reply Selection (Tables) Screen

SCRNCD: LOLTBL LOGISTICS ON-LINE ACCESS DATE: 02-NOV-00
USERID: XXXXXXX MRC REPLY SELECTION (TABLES) TIME: 13:21

INC: 00199 ITEM NAME: ADHESIVE TAPE,SURGI
MRC: HUES COLOR

TAG	CODE	REPLY-VALUE	REPLY-COUNT
-	CL0001	COLORLESS	2
-	MS0013	BUFF	1
-	NA0000	NATURAL	1
-	WH0000	WHITE	2

**** END OF DATA ****

OPTIONAL REPLY CODE : -----
<MSG 0655> PRESS PF12 TO DISPLAY TEXT REPLY
OR CONDITION IS CURRENTLY ACTIVE
F1=HELP F2=CLEAR SCR F3=LOLA MENU F4=MAIN MENU F5=CANCEL F6=PROCESS
F7= F8= F9= F10=AND F11= F12=TEXT

a. Screen Explanation. This screen displays the reply value for a selected MRC that has a single table as the characteristic. There is only one keyword which may be entered to initiate a reply on the LOLTBL screen. The keyword choices are TO, DISPLAY, PROCESS, ?. The format is the reply table in the example below.

ENTRY EXAMPLE:

<u>KEYWORD</u>	<u>CRITERIA</u>	<u>EXPLANATION</u>
DISPLAY	AD0001	to display the characteristics for Table AD0001.
DISPLAY	AD0001 TO ?	to display the characteristics for Table AD0001 to end of file.
DISPLAY	AD0001 TO AG0500	to display the characteristics for Table AD0001 through AG0500 inclusive.
PROCESS	AD0001	to process the characteristics for Table AD0001.
PROCESS	AD0001 TO ?	to process the characteristics for Table AD0001 to end of file.
PROCESS	AD0001 TO AG0500	to process the characteristics for Table AD0001 through AG0500 inclusive.

Also see LOLDIM, LOLMLT, LOLNUM, LOLTXT, and LOLTOL for other characteristics.

b. Field Entry Requirements. The valid field entries are described below.

- (1) Field Name: TAG
 Entry Requirements: May be entered with multiple TAG fields.
 Valid Entries: X
 Results: Transfers to the Characteristics Search Results (LOLRES) screen when F6 (Process) is pressed.

- (2) Field Name: OPTIONAL REPLY VALUE
 Entry Requirement: Must be valid keyword and criteria.
 Valid Entries: DISPLAY, PROCESS, TO, ?
 Results: DISPLAY will reduce number of reply values available with given criteria. PROCESS will transfer to the Characteristics Search Results Screen.

c. Available Function Keys. The following unique function keys may be used from the MRC Reply Selection (Tables) screen. All standardized FLIS function keys are available. Refer to Section [16.3.2.e](#) of this document.

F5	Cancel	Cancels current search and returns to the screen where the search was started.
F6	Process	Transfers to the Characteristics Search Results (LOLRES) screen.
F7	Page Up	Displays the prior page of the current file being viewed.
F8	Page Down	Displays the next page of the current file being viewed.
F9	Next MRC	Displays the next MRC if more than one was selected. Returns to Item Cage Pick List if user came from there.
F10	AND/OR	A toggle to allow either 'AND' or 'OR' selections from the Reply-Value screen. 'OR' will allow for MRC to contain either of the replies picked. 'AND' - MRC will contain all of the replies picked. NOTE: Selection shows in the message field as to current toggle.
F12	Text	Transfers to the MRC Reply Selection (Text) screen (LOLTXN) if available for this MRC.

A.69 LOLTOL - MRC Reply Selection (Tolerances) Screen

SCRNCD: LOLTOL LOGISTICS ON-LINE ACCESS DATE: 02-NOV-00
 USERID: XXXXXXX MRC REPLY SELECTION (TOLERANCES) TIME: 13:34

 INC: 00009 ITEM NAME: RESISTOR,ADJUSTABLE
 MRC: AAPQ RESISTANCE TOLERANCE IN PERCENT

TAG	MINIMUM	MAXIMUM	REPLY-COUNT
-	-20.0000000	20.0000000	3
-	-15.0000000	10.0000000	1
-	-15.0000000	15.0000000	5
-	-10.0000000	5.0000000	1
-	-10.0000000	10.0000000	1201
-	-10.0000000	20.0000000	1
-	-5.0000000	5.0000000	578
-	-5.0000000	10.0000000	156
-	-5.0000000	50.0000000	1
-	-2.0000000	2.0000000	4

**** MORE ****

OPTIONAL CODED VALUE: _____

<MSG 0600> TYPE AN "X" ON ONE OR MORE REPLY VALUES AND PRESS <PF6>

OR CONDITION IS CURRENTLY ACTIVE

F1=HELP F2=CLEAR SCR F3=LOLA MENU F4=MAIN MENU F5=CANCEL F6=PROCESS
 F7= F8=PAGE DOWN F9=NEXT MRC F10=AND F11= F12=

a. Screen Explanation. This screen displays the reply value for a selected MRC using dimensions as the input characteristic. The Optional Reply Value will enable users to reduce number of reply values and to specify characteristics to be processed. The keywords which may be used to initiate a reply on the LOLTOL screen are MIN, MAX, DISPLAY, PROCESS, TO, ?. In the format entry example below, the criteria is a unit of measure.

ENTRY EXAMPLE:

<u>KEYWORD</u>	<u>CRITERIA</u>	<u>EXPLANATION</u>
DISPLAY	100	to display the characteristics for the item displayed having a tolerance of 100.
DISPLAY	100 TO ?	to display the characteristics for the item displayed having a tolerance of 100 to the end of file.
DISPLAY	100 TO 500	to display the characteristics for the item displayed having tolerances of 100 through 500 inclusive.
DISPLAY	100 WITHIN 5%	to display the characteristics for the item displayed having a tolerance within the range of 5% of 100.
PROCESS	100	to process the characteristics for the item displayed having a tolerance of 100.
PROCESS	100 TO ?	to process the characteristics for the item displayed having a tolerance of 100 to end of file.
PROCESS	100 TO 500	to process the characteristics for the items displayed having tolerances of 100 through 500 inclusive.
PROCESS	100 WITHIN 5%	to process the characteristics for the items displayed having a tolerance within the range of 5% of 100.

Also see LOLDIM, LOLMLT, LOLNUM, LOLTBL, and LOLTXT for other characteristics.

b. Field Entry Requirements. The valid field entries are described below.

- (1) Field Name: TAG
- Entry Requirements: May be entered with multiple TAG fields.

Valid Entries: X
Results: Transfers to the Characteristics Search Results (LOLRES) screen when F6 (Process) is pressed.

(2) Field Name: OPTIONAL REPLY VALUE
Entry Requirement: Must be valid keyword and criteria.
Valid Entries: DISPLAY, PROCESS, TO, WITHIN, % ?
Results: DISPLAY will reduce number of reply values available with given criteria. PROCESS will transfer to the Characteristics Search Results Screen.

c. Available Function Keys. The following unique function keys may be used from the MRC Reply Selection (Tolerances) screen. All standardized FLIS function keys are available. Refer to Section [16.3.2.e](#) of this document.

F5	Cancel	Cancels current search and returns to the screen where the search was started.
F6	Process	Transfers to the Characteristics Search Results (LOLRES) screen.
F7	Page Up	Displays the prior page of the current file being viewed.
F8	Page Down	Displays the next page of the current file being viewed.
F9	Next MRC	Displays the next MRC if more than one was selected.
F10	And/Or	Toggles between 'AND' and 'OR' processing. If user presses F10 and F6, 'AND' processing will be active. Processing will default to 'OR'.
F12	Text	Transfers to the MRC Reply Selection (Text) screen (LOLTX) if available for this MRC.

A.70 LOLTXT - MRC Reply Selection (Text) Screen

SCRNCD: LOLTXT LOGISTICS ON-LINE ACCESS DATE: 02-NOV-00
USERID: XXXXXXX MRC REPLY SELECTION (TEXT) TIME: 13:36

INC: 61638 ITEM NAME: CIRCUIT CARD ASSEMB
MRC: AEAS MAJOR COMPONENTS

TAG	REPLY-VALUE
-	ADAPTER 1,CAPACITOR 8,CONNECTOR 1,DIODE 8,PRINTED WIRING BOARD 1,RESISTOR 24,TRANSFORMER 1,TRANSISTOR 10
-	CAPACITOR 1; INTEGRATED CIRCUIT 28; EJECTOR 1; PRINTED CIRCUIT BOARD 1
-	CAPACITOR 12,CONNECTOR 1,DIODE 26,JACK 8,MICROCIRCUIT 3,PRINTED WIRING BOARD 1,RELAY 1,RESISTOR 52
-	CAPACITOR 12,CRYSTAL 1,DIODE 1,INDUCTOR 4,PRINTED WIRING BOARD 1,RESISTOR 11,TRANSISTOR 3
-	CAPACITOR 13,CONNECTOR 1,DIODE 11,JACK 5,MICROCIRCUIT 3,PRINTED WIRING BOARD 1,RELAY 3,RESISTOR 41,TRANSISTOR 5
-	CAPACITOR 14; DIODE 2; PRINTED WIRING BOARD 1; RESISTOR 3

 ** MORE **

SEARCH: -----

<MSG 0600> TYPE AN "X" ON ONE OR MORE REPLY VALUES AND PRESS <PF6>
OR CONDITION IS CURRENTLY ACTIVE
F1=HELP F2=CLEAR SCR F3=LOLA MENU F4=MAIN MENU F5=CANCEL F6=PROCESS
F7= F8=PAGE DOWN F9=NEXT MRC F10=AND F11= F12=

a. **Screen Explanation.** This screen displays the reply value for a selected MRC using dimensions as the input characteristic. The Optional Reply Value will enable users to reduce number of reply values and to specify characteristics to be processed. The keywords which may be used to initiate a reply on the LOLTXT screen are MIN, MAX, DISPLAY, PROCESS, TO, ?. In the format entry example below, the criteria is a unit of measure.

ENTRY EXAMPLE:

<u>KEYWORD</u>	<u>CRITERIA</u>	<u>EXPLANATION</u>
DISPLAY	100	to display the characteristics for the item displayed having a tolerance of 100.
DISPLAY	100 TO ?	to display the characteristics for the item displayed having a tolerance of 100 to the end of file.
DISPLAY	Bolt? Engine? Screw?	
PROCESS	Bolt? Engine? Screw?	

Also see LOLDIM, LOLMLT, LOLNUM, LOLTBL, and LOLTXT for other characteristics.

b. **Field Entry Requirements.** The valid field entries are described below.

- (1) **Field Name:** TAG
Entry Requirements: May be entered with multiple TAG fields.
Valid Entries: X
Results: Transfers to the Characteristics Search Results (LOLRES) screen when F6 (Process) is pressed.

- (2) **Field Name:** OPTIONAL REPLY VALUE
Entry Requirement: Must be valid keyword and criteria. One to three keywords, at least two characters per keyword. Keywords must end with ?.
Valid Entries: DISPLAY, PROCESS
Results: DISPLAY will reduce number of reply values available with given criteria. PROCESS will transfer to the Characteristics Search Results Screen.

c. **Available Function Keys.** The following unique function keys may be used from the MRC Reply Selection (Text) screen. All standardized FLIS function keys are available. Refer to Section [16.3.2.e](#) of this document.

F5	Cancel	Cancels current search and returns to the screen where the search was started.
F6	Process	Transfers to the Characteristics Search Results (LOLRES) screen.
F7	Page Up	Displays the prior page of the current file being viewed.
F8	Page Down	Displays the next page of the current file being viewed.
F9	Next MRC	Displays the next MRC if more than one was selected.

A.71 LOLXRF - Reference/Part Number Data Screen

FERNCD: LOLXRF LOGISTICS ON-LINE ACCESS DATE: 31-OCT-00
USERID: XXXXXXX REFERENCE/PART NUMBER DATA TIME: 10:43

ITEM NAME: BRACKET, MOUNTING NSN: 5340-01-234-1112

REFERENCE/PART NUMBER	CAGE	C	C	C	C	C	C	C	C	HCC	MSDS
142319	09205	3	2	3	MG						

** END OF VIEW **

<MSG 0520> PRESS APPROPRIATE PF KEY FOR THE PROCESSING DESIRED

F1=HELP F2=CLEAR SCR F3=PREV MENU F4=MAIN MENU F5=CANCEL F6=
F7=PAGE UP F8=PAGE DOWN F9= F10= F11= F12=

a. **Screen Explanation.** This screen displays the inquiry results when the user chooses the CRT as the output media and the Reference/Part Number Data Segment View as an output option.

b. **Field Entry Requirements.** There are no valid field entries for this screen not covered by Section 16.9.B.55.c, Available Function Keys. When multiple screens are needed to display information, MORE DATA, END OF DATA, or END OF VIEW will appear at the bottom of the screen.

c. **Available Function Keys.** The following unique function keys may be used from the Reference/Part Number Data screen. All standardized FLIS function keys are available. Refer to Section [16.3.2.e](#) of this document.

F5	Cancel	Cancels current search and returns to the screen where the search was started.
F6	Prev NSN	Displays the previous NSN if more than one NSN was selected.
F7	Page Up	Displays the prior page of the current file being viewed.
F8	Page Down	Displays the next page of the current file being viewed.
F9	Next NSN	Displays the next NSN if more than one NSN was selected.
F10	Print	Sends the information displayed to the printer associated with your terminal. Available only after special access has been granted by the security administrator for your facility.

APPENDIX A

PART 2 SCREEN LAYOUTS

This appendix contains the Screen Layouts and how to use the screens.

The following are the only LOLA screens that may be directly invoked using Expert Navigation:

1. [LOLINQ](#) - Start Inquiry Screen
2. [LOLCHS](#) - Start Characteristics Search Screen
3. [LOLSRC](#) - Start FSG/FSC Item Name Search Screen
4. [LOLUPD](#) - LOLA On-Line Update

Within any LOLA Subsystem screen, you may jump to any of the screens available to your group. This is defined in the Table REC_MENU3.

A.72 LOLUPD - LOLA Update Main Menu Screen

SCRNCD LOLUPD L O L A U P D A T E DATE: 03-OCT-00
USERID: XXXXXXXX M A I N M E N U TIME: 07:22

- | | |
|---------------------------------|----------------------------------|
| - REVIEW RESULTS OF TRANSACTION | - NIIN ASSIGNMENT |
| - PROCESS MULTIPLE DICS (LMD) | - PROCESS MULTIPLE NIINS (LMX) |
| - MAINTAIN DATA GROUP | - MAINTAIN DATA ELEMENT |
| - NIIN REINSTATEMENT | - MAINTAIN CANCELLATIONS |
| - DAAS CRITICAL SOS CHANGE | - NIIN STATUS CODE CHANGE |
| - TEMPLATE LIST | - REQUEST FOR CODIFICATION (LSB) |

<MSG 2100> POSITION CURSOR NEXT TO DESIRED OPTION AND PRESS <ENTER> KEY

F1=HELP F2=CLEAR SCR F3=LOLA MENU F4=MAIN MENU F5= F6=
F7= F8= F9= F10= F11= F12=

a. Screen Explanation. This screen allows the user to select the type of update to be performed. After making a selection, the TRANSACTION HEADER Screen will be displayed. After entering all required data, the appropriate input screen/menu will be displayed dependant on the selection made on this screen.

b. Field Entry Requirements. The valid entries are described below.

REVIEW RESULTS OF
TRANSACTION -

Selection of this option will forward you to the TRANSACTION COMPLETED LIST screen where you can view the results of transactions submitted via On-line Update. This screen will also allow you to “fix” and reprocess a transaction that did not pass the internal MIOS edits.

NIIN ASSIGNMENT -

(DICs LNC, LNK, LNR, LNW) Selection of this option will forward you to the TRANSACTION HEADER screen, followed by the menu screen. The appropriate input screens will be provided dependent on the selection made on that screen.

PROCESS MULTIPLE
DICS -

(DIC LMD) Selection of this option will forward you to the TRANSACTION HEADER screen, followed by the CHANGE MULTIPLE DATA GROUPS menu screen. The appropriate input screens will be provided dependent on the selection made on that screen.

PROCESS MULTIPLE NIIN
-

(DIC LMX) Selection of this option will forward you to the TRANSACTION HEADER screen, followed by the NIIN SCREEN menu screen. The appropriate input followed by the NIIN ASSIGNMENT/ REINSTATEMENT menu screen. The appropriate input screens will be provided dependent on the selection made on that screen.

NIIN REINSTATEMENT -

(DICs LBK, LBC, LBR, LBW) Selection of this option will forward you to the TRANSACTION HEADER screen, screens will be provided dependent on that screen.

MAINTAIN DATA GROUP -	(DICs LAU, LCU, LDU, LAR, LCR, LDR, LAS, LCS, LDS, LCZ, LAB, LAF, LCF, LDF, LAM, LCM, LDM, LCC) Selection of this option will forward you to the TRANSACTION HEADER screen, followed by the DATA GROUP MAINTENANCE menu screen. The appropriate input will be provided dependent on the selection made on that screen.
MAINTAIN DATA ELEMENT -	(DICs LAD, LCD, LDD, LCC, LTU, LTV, LTW; commonly referred to as “R Segment” updates for Segments A, B, G, and H). Selection of this option will forward you to the TRANSACTION HEADER screen, followed by the DATA ELEMENT MAINTENANCE menu screen. The appropriate input will be provided dependent on the selection made on that screen.
MAINTAIN CANCELLATIONS -	(DICs LKD, LKU, LKV, LKI, LKE) Selection of this option will forward you to the TRANSACTION HEADER screen, followed by the CANCELLATION menu screen. Input screens will be provided and selection made on that screen.
DASS CRITICAL SOS CHG -	(DIC LSS) Selection of this option will forward you to the TRANSACTION HEADER screen, followed by the appropriate input screen.
NIIN STATUS CD CHG -	(DIC LCI) Selection of this option will forward you to the TRANSACTION HEADER screen, followed by the appropriate input screen.
TEMPLATE LIST -	User can review their own personal Template TRANSACTION.
REQUEST FOR CODIFICATION -	(DIC LSB) Selection of this option will forward you to segment 2, B or H.

c. Available Function Keys. No unique function keys are used from the LOLA UPDATE MAIN MENU screen. All standardized FLIS function keys are available. Refer to Section [16.3.2.e](#) of this document.

a. Screen Explanation. This screen allows the user to enter update Header criteria. All of the fields on this screen are MANDATORY. When all of the fields have been filled press ENTER. At this time each field is checked to see if the values entered are valid. If an invalid or missing value is entered a message will be displayed on the screen. It is important to note that the checks that are being made are valid entry or "basic edits". For example ORIGINATING ACTIVITY is checked to see if a valid Activity Code was entered, not that the Activity entered can originate this transaction. SUBMITTING ACTIVITY is automatically loaded from your 'USER PROFILE' and can be changed only if the user has multiple activities in their user profile.

b. Field Entry Requirements. The valid entries are described below.

- (1) Field Name: NATIONAL STOCK NUMBER
Entry Requirement: For maintenance transactions enter the NIIN only. The cursor will be located at the first position of the NIIN field. The appropriate FSC will be loaded for you. For new NSN assignment enter the appropriate FSC only, a new NIIN will be assigned for you at DLIS.
Valid Entries: The 9 position NIIN, for maintenance transactions or the 4 position FSC, for new NIIN assignments.
Results: Be moved to the Document Control Number field.
- (2) Field Name: DOCUMENT CONTROL NUMBER
Entry Requirement: The 7 position Document Control Number.
Valid Entries: Any Alpha-Numeric characters.
Results: Be moved to the Originating Activity field.
- (3) Field Name: ORIGINATING ACTIVITY
Entry Requirement: A valid Activity Code.
Valid Entries: A two position alpha-numeric Activity Code.
Results: Be moved to the Submitting Activity field.
- (4) Field Name: TRANSACTION DATE
Entry Requirement: The Julian Date that the transaction is to be processed on. Today's date will be displayed by default, for EFFECTIVE DATED transactions enter the appropriate Effective Date.
Valid Entries: The Julian Date is a 5 position Numeric field that is structured as follows: YYDDD. Where the first 2 positions are the Year and the last 3 positions are the Day, i.e., 91234.

Results: This Header portion of the transaction is now ready for Submittal. Press ENTER to process the Header and to start building the transaction.

c. Available Function Keys. The following unique function keys may be used from the TRANSACTION HEADER screen. All standardized FLIS function keys are available. Refer to Section [16.3.2.e](#) of this document.

F5	Cancel	Cancels current search and returns to the LOLA Update Main Menu.
----	--------	--

A.74 LOLSSM - Type of NIIN Assignment

SCRNCD: LOASSM L O L A U P D A T E DATE: 14-JUN-01
USERID: XXXXXXX NIIN ASSIGNMENT/REINSTATEMENT TIME: 13:19

-
- _ LNC - NIIN ASSIGNMENT PARTIAL DESCRIPTION W/REFERENCE NUMBERS
 - _ LNK - NIIN ASSIGNMENT REFERENCE METHOD
 - _ LNR - NIIN ASSIGNMENT FULL DESCRIPTION W/REFERENCE NUMBERS
 - _ LNW - NIIN ASSIGNMENT FULL DESCRIPTION W/O REFERENCE NUMBERS
 - _ LBC - REINSTATE NIIN PARTIAL DESCRIPTION W/REFERENCE NUMBERS
 - _ LBK - REINSTATE NIIN REFERENCE METHOD
 - _ LBR - REINSTATE NIIN FULL DESCRIPTION W/REFERENCE NUMBERS
 - _ LBW - REINSTATE NIIN FULL DESCRIPTION W/O REFERENCE NUMBERS

<MSG 2287> POSITION CURSOR TO SELECTION AND PRESS ENTER

F1=HELP F2=CLEAR SCR F3=LOLA MENU F4=MAIN MENU F5=CANCEL F6=
F7= F8= F9= F10= F11= F12=

a. Screen Explanation. This screen allows the user to select the type of Item Identification that is to be applied to the NIIN assignment transaction.

b. Field Entry Requirements. The valid entries are described below.

- (1) Field Name: (LNC) NIIN ASSIGNMENT PARTIAL DESCRIPTION
W/REFERENCE NUMBERS

Entry Requirement: Position the cursor next to this option and press ENTER.

Valid Entries: No entries are required.

Results: The following Data Group input screens will be displayed:
ITEM IDENTIFICATION, MOE RULE, REFERENCE
NUMBER, STANDARDIZATION, CATALOG
MANAGEMENT and CHARACTERISTICS.
- (2) Field Name: (LNK) NIIN ASSIGNMENT REFERENCE METHOD

Entry Requirement: Position the cursor next to this option and press ENTER.

Valid Entries: No entries are required.

Results: The following Data Group input screens will be displayed:
ITEM IDENTIFICATION, MOE RULE, REFERENCE
NUMBER, STANDARDIZATION and CATALOG
MANAGEMENT.
- (3) Field Name: (LNR) NIIN ASSIGNMENT FULL DESCRIPTION
W/REFERENCE NUMBERS

Entry Requirement: Position the cursor next to this option and press ENTER.

Valid Entries: No entries are required.

Results: The following Data Group input screens will be displayed:
ITEM IDENTIFICATION, MOE RULE, REFERENCE
NUMBER, STANDARDIZATION, CATALOG
MANAGEMENT and CHARACTERISTICS.
- (4) Field Name: (LNW) NIIN ASSIGNMENT FULL DESCRIPTION W/O
REFERENCE NUMBERS

Entry Requirement: Position the cursor next to this option and press ENTER.

Valid Entries: No entries are required.

Results: The following Data Group input screens will be displayed:
ITEM IDENTIFICATION, MOE RULE,
STANDARDIZATION, CATALOG MANAGEMENT and
CHARACTERISTICS.

(5) Field Name: (LBC) REINSTATE NIIN PARTIAL DESCRIPTION
W/REFERENCE NUMBERS

Entry Requirement: Position the cursor next to this option and press ENTER.

Valid Entries: No entries are required.

Results: The following Data Group input screens will be displayed:
ITEM IDENTIFICATION, MOE RULE, REFERENCE
NUMBER, CATALOG MANAGEMENT and
CHARACTERISTICS.

(6) Field Name: (LBK) REINSTATE NIIN REFERENCE METHOD

Entry Requirement: Position the cursor next to this option and press ENTER.

Valid Entries: No entries are required.

Results: The following Data Group input screens will be displayed:
ITEM IDENTIFICATION, MOE RULE, REFERENCE
NUMBER, CATALOG MANAGEMENT and
CHARACTERISTICS.

(7) Field Name: (LBR) REINSTATE NIIN FULL DESCRIPTION W/
REFERENCE NUMBERS

Entry Requirement: Position the cursor next to this option and press ENTER.

Valid Entries: No entries are required.

Results: The following Data Group input screens will be displayed:
ITEM IDENTIFICATION, MOE RULE, REFERENCE
NUMBER, CATALOG MANAGEMENT and
CHARACTERISTICS.

(8) Field Name: (LBW) REINSTATE NIIN FULL DESCRIPTION W/O
REFERENCE NUMBERS

Entry Requirement: Position the cursor next to this option and press ENTER.
Valid Entries: No entries are required.
Results: The following Data Group input screens will be displayed:
ITEM IDENTIFICATION, MOE RULE, REFERENCE
NUMBER, CATALOG MANAGEMENT and
CHARACTERISTICS.

c. Available Function Keys. The following unique function keys may be used from the TYPE OF NIIN/REINSTATEMENT screen. All standardized FLIS function keys are available. Refer to Section [16.3.2.e](#) of this document.

F5	Cancel	Cancels current search and returns to the LOLA Update Main Menu.
----	--------	--

The NIIN ASSIGNMENT/REINSTATEMENT menu screen allows you to select the type of item identification that is to be applied to the NIIN assignment/reinstatement transaction. After you have selected the type of NIIN ASSIGNMENT/REINSTATEMENT, you will be forwarded to the input screens required for the transaction you are creating.

A.75 LOLGRP - Data Group Maintenance Screen

SCRNCD: LOLGRP L O L A U P D A T E DATE: 03-OCT-00
USERID: XXXXXXX DATA GROUP MAINTENANCE TIME: 08:28

- MOE RULE DATA
- REFERENCE NUMBER DATA
- ADD NIIN AS REFERENCE NUMBER
- STANDARDIZATION DATA
- STANDARDIZATION RELATIONSHIP
- FREIGHT DATA
- CATALOG MANAGEMENT DATA
- CHARACTERISTICS DATA

<MSG 0531> ENTER ONE CRITERIA AND PRESS <ENTER> KEY

<MSG 1694> ENTER "A" (ADD), "C" (CHANGE), OR "D" (DELETE)

F1=HELP F2=CLEAR SCR F3=LOLA MENU F4=MAIN MENU F5=CANCEL F6=
F7= F8= F9= F10= F11= F12=

a. Screen Explanation. This screen allows the user to enter their update criteria. This screen is for the Data Group maintenance, see the “RESULTS” portion of the Field Entry Requirements (below), for the specific DIC that will be generated from your choice.

b. Field Entry Requirements. The valid entries are described below.

- (1) Field Name: MOE RULE DATA
Entry Requirement: Position the cursor next to this option and enter the appropriate code.
Valid Entries: (A) to add to the MOE RULE Data Group, (D) to delete from the MOE RULE Data Group or (C) to change a MOE RULE Data Group.
Results: Selecting this option creates an LAU, LDU or LCU transaction.
- (2) Field Name: REFERENCE NUMBER DATA
Entry Requirement: Position the cursor next to this option and enter the appropriate code.
Valid Entries: (A) to add, (C) to change, or (D) to delete from the REFERENCE NUMBER Data Group.
Results: Selecting this option creates an LAR, LCR, or LDR transaction.
- (3) Field Name: ADD NIIN AS REFERENCE NUMBER (LAB)
Entry Requirement: Position the cursor next to this option and enter the appropriate code.
Valid Entries: (A) to add is the only valid option.
Results: Selecting this option creates an LAB transaction.
- (4) Field Name: STANDARDIZATION DATA
Entry Requirement: Position the cursor next to this option and enter the appropriate code.
Valid Entries: (C) to change the STANDARDIZATION DATA.
Results: Selecting this option creates an LCS to change REPLACED NIIN, or an LCZ to change a REPLACEMENT NIIN. The appropriate DIC will be determined programmatically.
- (5) Field Name: STANDARDIZATION RELATIONSHIP
Entry Requirement: Position the cursor next to this option and enter the appropriate code.

- Valid Entries: (A) to add, or (D) to delete from the STANDARDIZATION Data Group.
- Results: Selecting this option creates an LAS to add REPLACED NSN's, or LDS to delete REPLACED NSNs.
- (6) Field Name: FREIGHT DATA
- Entry Requirement: Position the cursor next to this option and enter the appropriate code.
- Valid Entries: (A) to add, (C) to change, or (D) to delete from the FREIGHT Data Group.
- Results: Selecting this option creates an LAF, LCF or LDF transaction.
- (7) Field Name: CATALOG MANAGEMENT DATA
- Entry Requirement: Position the cursor next to this option and enter the appropriate code.
- Valid Entries: (A) to add, (C) to change, or (D) to delete from the FREIGHT Data Group.
- Results: Selecting this option will create a LAF, LCF, of LDF transaction.
- (8) Field Name: CHARACTERISTICS DATA
- Entry Requirement: Position the cursor next to this option and enter the appropriate code.
- Valid Entries: (A) to add, (C) to change, or (D) to delete from the CHARACTERISTICS DATA Group.
- Results: Selecting this option will create an LCC transaction.

c. Available Function Keys. The following unique function keys may be used from the DATA GROUP MAINTENANCE screen. All standardized FLIS function keys are available. Refer to Section [16.3.2.e](#) of this document.

F5 Cancel Cancels current search and returns to the LOLA Update Main Menu.

A.76 LOLELE - Data Element Maintenance Screen

SCRNCD: LOLELE L O L A U P D A T E DATE: 03-OCT-00
USERID: XXXXXXX DATA ELEMENT MAINTENANCE TIME: 08:32

- ITEM IDENTIFICATION DATA
- MOE RULE DATA
- FREIGHT DATA
- CATALOG MANAGEMENT DATA
- NUCLEAR ORDNANCE SOURCE OF SUPPLY

ADD (LAD) - A CHANGE (LCD) - C DELETE (LDD) - D CHANGE (LCG) - F
 (LTU) (LTV) (LTW)

<MSG 0531> ENTER ONE CRITERIA AND PRESS <ENTER> KEY

F1=HELP F2=CLEAR SCR F3=LOLA MENU F4=MAIN MENU F5=CANCEL F6=
F7= F8= F9= F10= F11= F12=

a. Screen Explanation. This screen allows the user to select the type of Data Element maintenance transaction to be performed. One of the codes displayed on the bottom of the screen must be entered next to one of the selections.

b. Field Entry Requirements. The valid entries are described below.

- (1) Field Name: ITEM IDENTIFICATION DATA
Entry Requirement: Position the cursor next to this selection and enter the appropriate code.
Valid Entries: An A, C, D, or F.
Results: Entering a 'A' will create an LAD transaction.
Entering a 'C' will create an LCD transaction.
Entering a 'D' will create an LDD transaction.
Entering a 'F' will create an LCG transaction.
- (2) Field Name: MOE RULE DATA
Entry Requirement: Position the cursor next to this selection and enter the appropriate code.
Valid Entries: An A, C, or D.
Results: Entering a 'A' will create an LAD transaction.
Entering a 'C' will create an LCD transaction.
Entering a 'D' will create an LDD transaction.
- (3) Field Name: FREIGHT DATA
Entry Requirement: Position the cursor next to this selection and enter the appropriate code.
Valid Entries: An A, C, or D.
Results: Entering a 'A' will create an LAD transaction.
Entering a 'C' will create an LCD transaction.
Entering a 'D' will create an LDD transaction
- (4) Field Name: CATALOG MANAGEMENT DATA
Entry Requirement: Position the cursor next to this selection and enter the appropriate code.
Valid Entries: An A, C, or D.
Results: Entering a 'A' will create an LAD transaction.
Entering a 'C' will create an LCD transaction.
Entering a 'D' will create an LDD transaction

- (5) **Field Name:** NUCLEAR ORDNANCE SOURCE OF SUPPLY
Entry Requirement: Position the cursor next to this selection and enter the appropriate code.
Valid Entries: An A, C, or D.
Results: Entering a 'A' will create an LTU transaction.
Entering a 'C' will create an LTV transaction.
Entering a 'D' will create an LTW transaction

c. Available Function Keys. The following unique function keys may be used from the DATA ELEMENT MAINTENANCE screen. All standardized FLIS function keys are available. Refer to Section [16.3.2.e](#) of this document.

F5 Cancel Cancels current search and returns to the LOLA Update Main Menu.

A.77 LOLADA - Add Item Identification Data Screen

SCRNCD: LOLADA L O L A U P D A T E DATE: 03-OCT-00
USERID: xxxxxxxx ADD/CHANGE ITEM IDENTIFICATION DATA ELEMENTS TIME: 08:38

NSN 5962 01222222 LAD

INC _____
NONAPPROVED ITEM NAME _____

TYPE OF II -
FIIG _____
DEMIL -
RPDMRC -
CRITICALITY CODE -
PMIC -
ADPE CODE -
ESDC -
HMIC -

<MSG 2578> ENTER DATA AND PRESS PF6 TO PROCESS

F1=HELP F2=CLEAR SCR F3=LOLA MENU F4=MAIN MENU F5=CANCEL F6=PROC SCREEN
F7= F8= F9=FILE DATA F10= F11= F12=PROC TRANS

a. Screen Explanation. This screen will create an LAD transaction(s) for the Item Identification (A segment) Data Group. If all fields have values entered, 6 (six) LAD transactions will be created for you. Once the appropriate field entries have been made press F-6.

b. Field Entry Requirements. The valid entries are described below.

- (1) Field Name: ITEM NAME CODE (INC)
Entry Requirement: Enter the appropriate INC and press F6.
Valid Entries: Valid entries can be obtained by positioning the cursor on the input field and pressing F1 for HELP. While in HELP a definition and a list of valid Values will appear. Position the cursor next to the appropriate value and use the “sticky cursor” option. The selected value will be entered into the field automatically.
Results: A LAD transaction will be sent to update the selected NIIN.
- (2) Field Name: NONAPPROVED ITEM NAME (NAIN)
Entry Requirement: Enter the appropriate NAIN and press F6.
Valid Entries: Valid entries can be obtained by positioning the cursor on the input field and pressing F1 for HELP. While in HELP a definition and a list of Valid Values will appear. Position the cursor next to the appropriate value and use the “sticky cursor” option. The selected value will be entered into the field automatically.
Results: A LAD transaction will be sent to update the selected NIIN.
- (3) Field Name: PRECIOUS METALS INDICATOR CODE
Entry Requirement: Enter the appropriate PMIC and press F6.
Valid Entries: Valid entries can be obtained by positioning the cursor on the input field and pressing F1 for HELP. While in HELP a definition and a list of Valid Values will appear. Position the cursor next to the appropriate value and use the “sticky cursor” option. The selected value will be entered into the field automatically.
Results: A LAD transaction will be sent to update the selected NIIN.
- (4) Field Name: ELECTRO STATIC DISCHARGE CODE
Entry Requirement: Enter the appropriate ESDC and press F6.

Valid Entries: Valid entries can be obtained by positioning the cursor on the input field and pressing F1 for HELP. While in HELP a definition and a list of Valid Values will appear. Position the cursor next to the appropriate value and use the “sticky cursor” option. The selected value will be entered into the field automatically.

Results: A LAD transaction will be sent to update the selected NIIN.

- (5) **Field Name:** AUTOMATIC DATA PROCESSING EQUIPMENT CODE
Entry Requirement: Enter the appropriate ADPEC and press F6.
Valid Entries: Valid entries can be obtained by positioning the cursor on the input field and pressing F1 for HELP. While in HELP a definition and a list of Valid Values will appear. Position the cursor next to the appropriate value and use the “sticky cursor” option. The selected value will be entered into the field automatically.
Results: A LAD transaction will be sent to update the selected NIIN.

c. Available Function Keys. The following unique function keys may be used from the ADD ITEM IDENTIFICATION DATA screen. All standardized FLIS function keys are available. Refer to Section [16.3.2.e](#) of this document.

- | | | |
|----|---------|--|
| F5 | Cancel | Cancels current search and returns to the LOLA Update Main Menu. |
| F6 | PROCESS | Validate the data input on the screen and sends the transaction to be processed. |

A.78 LOLSGG - Freight Data

SCRNCD: LOLSGG
USERID: XXXXXXXX

L O L A U P D A T E
FREIGHT DATA

DATE: 03-OCT-00
TIME: 08:30

NSN: 5962 012222222
INTEGRITY CODE *
NMFC 061700
NMFC SUB ITEM NUMBER X
UFC CODE (MODIFIED) 34580
HAZARDOUS MATERIEL CODE **
CLASS RATING J
LESS THAN CARLOAD RATING CODE *
RAIL VARIATION CODE *
WATER COMMODITY CODE 65A
TYPE OF CARGO CODE 3
SPECIAL HANDLING CODE 9
AIR COMMODITY/SPECIAL HANDLING HZ
AIR DIMENSION CODE A

<MSG 1223> PRESS PF6 TO PROCESS DELETE
F1=HELP F2=CLEAR SCR F3=LOLA MENU F4=MAIN MENU F5=CANCEL F6=PROC SCREEN
F7= F8= F9= F10= F11= F12=PROC TRANS

a. Screen Explanation. This screen will create an LAF, LCF, or LDF transaction. Enter the appropriate values into the fields and press F6.

b. Field Entry Requirements. The valid field entries are described below.

- (1) Field Name: INTEGRITY CODE
Entry Requirement: Enter the appropriate INTEGRITY CODE.
Valid Entries: Valid entries can be obtained by positioning the cursor on the input field and pressing F1 for HELP. While in HELP a definition and a list of Valid Values will appear. Position the cursor next to the appropriate value and use the “sticky cursor” option. The selected value will be entered into the field automatically.
Results: The cursor will be placed on the next input field.
- (2) Field Name: (NMFC)
Entry Requirement: Enter the appropriate NATIONAL MOTOR FREIGHT CODE.
Valid Entries: Valid entries can be obtained by positioning the cursor on the input field and pressing F1 for HELP. While in HELP a definition and a list of Valid Values will appear. Position the cursor next to the appropriate value and use the “sticky cursor” option. The selected value will be entered into the field automatically.
Results: The cursor will be placed on the next input field.
- (3) Field Name: NMFC SUB ITEM NUMBER.
Entry Requirement: Enter the appropriate NATIONAL MOTOR FREIGHT CODE SUB ITEM NUMBER.
Valid Entries: Valid entries can be obtained by positioning the cursor on the input field and pressing F1 for HELP. While in HELP a definition and a list of Valid Values will appear. Position the cursor next to the appropriate value and use the “sticky cursor” option. The selected value will be entered into the field automatically.
Results: The cursor will be placed on the next input field.
- (4) Field Name: UFC CODE (MODIFIED).
Entry Requirement: Enter the appropriate UNIFORM FREIGHT CLASSIFICATION (UFC) CODE (MODIFIED).

Valid Entries: Valid entries can be obtained by positioning the cursor on the input field and pressing F1 for HELP. While in HELP a definition and a list of Valid Values will appear. Position the cursor next to the appropriate value and use the “sticky cursor” option. The selected value will be entered into the field automatically.

Results: The cursor will be placed on the next input field.

- (5) **Field Name:** HAZARDOUS MATERIEL CODE (HMC)
Entry Requirement: Enter the appropriate HMC.
Valid Entries: Valid entries can be obtained by positioning the cursor on the input field and pressing F1 for HELP. While in HELP a definition and a list of Valid Values will appear. Position the cursor next to the appropriate value and use the “sticky cursor” option. The selected value will be entered into the field automatically.
Results: The cursor will be placed on the next input field.

- (6) **Field Name:** CLASS RATING
Entry Requirement: Enter appropriate CLASS RATING Code.
Valid Entries: Valid entries can be obtained by positioning the cursor on the input field and pressing F1 for HELP. While in HELP a definition and a list of Valid Values will appear. Position the cursor next to the appropriate value and use the “sticky cursor” option. The selected value will be entered into the field automatically.
Results: The cursor will be placed on the next input field.

- (7) **Field Name:** LESS THAN CARLOAD RATING CODE
Entry Requirement: Enter the LESS THAN CARLOAD RATING CODE.
Valid Entries: Valid entries can be obtained by positioning the cursor on the input field and pressing F1 for HELP. While in HELP a definition and a list of Valid Values will appear. Position the cursor next to the appropriate value and use the “sticky cursor” option. The selected value will be entered into the field automatically.
Results: The cursor will be placed on the next input field.

- (8) **Field Name:** RAIL VARIATION CODE
Entry Requirement: Enter the appropriate RAIL VARIATION CODE.
Valid Entries: Valid entries can be obtained by positioning the cursor on the input field and pressing F1 for HELP.

Results: The cursor will be positioned on the next input field.

- (9) Field Name: WATER COMMODITY CODE
Entry Requirement: Enter the appropriate WATER COMMODITY CODE.
Valid Entries: The Data Element definition can be obtained by positioning the cursor on the input field and pressing F1 for HELP. The Format for this Element is as follows: the first position must be numeric 1-9, the second position must be numeric 0-9, and the third position can be alpha or numeric.

Results: The cursor will be positioned on the next input field.

- (10) Field Name: TYPE OF CARGO CODE
Entry Requirement: Enter the appropriate TYPE OF CARGO CODE.
Valid Entries: Valid entries can be obtained by positioning the cursor on the input field and pressing F1 for HELP. While in HELP a definition and a list of Valid Values will appear. Position the cursor next to the appropriate value and use the “sticky cursor” option. The selected value will be entered into the field automatically.

Results: The cursor will be positioned on the next input field.

- (11) Field Name: SPECIAL HANDLING CODE
Entry Requirement: Enter the appropriate SPECIAL HANDLING CODE.
Valid Entries: Valid entries can be obtained by positioning the cursor on the input field and pressing F1 for HELP. While in HELP a definition and a list of Valid Values will appear. Position the cursor next to the appropriate value and use the “sticky cursor” option. The selected value will be entered into the field automatically.

Results: The cursor will be positioned on the next input field.

- (12) Field Name: AIR COMMODITY/SPECIAL HANDLING
Entry Requirement: Enter the AIR COMMODITY/SPECIAL HANDLING.
Valid Entries: The Data element definition can be obtained by positioning the cursor on the input field and pressing F1 for HELP.

Results: The cursor will be positioned on the next input field.

- (13) Field Name: AIR DIMENSION CODE
Entry Requirement: Enter the appropriate AIR DIMENSION CODE.

Valid Entries: Valid entries can be obtained by positioning the cursor on the input field and pressing F1 for HELP. While in HELP a definition and a list of Valid Values will appear. Position the cursor next to the appropriate value and use the “sticky cursor” option. The selected value will be entered into the field automatically.

Results: Press F6 to process screen, then F12 to process transaction.

c. Available Function Keys. The following unique function keys may be used from the FREIGHT DATA screen. All standardized FLIS function keys are available. Refer to Section [16.3.2.e](#) of this document.

F5	Cancel	Cancels current search and returns to the LOLA Update Main Menu.
F6	PROC SCREEN	Validate the data input on the screen. This key must be used prior to submitting the transaction.
F12	PROC TRANS	This will create the transaction and send the user to the next input screen/menu.

**A.79 LOLCGA - Change FSC and/or FSC Related Data
(LCG) Screen**

SCRNCD: LOLCGA L O L A U P D A T E DATE: 03-OCT-00
USERID: xxxxxxxx CHANGE FSC AND/OR FSC RELATED DATA TIME: 07:49

NSN 7035 012345555

EFFECTIVE DATE _____
FEDERAL SUPPLY CLASS _____
ITEM NAME CODE _____
NON APPROVED ITEM NAME _____
REF-PTL-DESCR-MTHD-RSN _____
TYPE OF ITEM IDENTIFICATION _____

<MSG 2578> ENTER DATA AND PRESS PF6 TO PROCESS

F1=HELP F2=CLEAR SCR F3=LOLA MENU F4=MAIN MENU F5=CANCEL F6=PROC SCREEN
F7= F8= F9=FILE DATA F10= F11= F12=PROC TRANS

a. **Screen Explanation.** This screen will create an LCG transaction for FSC or FSC related data. If data exists on the input NIIN, that data will be displayed. If data does not exist the field will be displayed with asterisks (*). In either case enter values into the field(s) that are to be changed, then Process (F6) the transaction.

b. **Field Entry Requirements.** The valid entries are described below.

- (1) **Field Name:** EFFECTIVE DATE
Entry Requirement: Enter the Julian Date that the transaction will be processed.
Valid Entries: The field will default to todays date. If a different date is required enter the desired Effective Date for the input transaction.
Results: The cursor will be positioned on the Federal Supply Class field.
- (2) **Field Name:** FEDERAL SUPPLY CLASS
Entry Requirement: Enter the appropriate FEDERAL SUPPLY CLASS and either press F6 to process the update or continue to add values to this screen.
Valid Entries: A valid ASSIGNED FSC is required.
Results: A LCG transaction will be sent to update the selected NIIN, if F6 is entered. The other fields can also be entered if required.
- (3) **Field Name:** ITEM NAME CODE
Entry Requirement: Enter the appropriate ITEM NAME CODE and either press F6 to process the update or continue to add values to this screen.
Valid Entries: A valid ITEM NAME CODE is required.
Results: A LCG transaction will be sent to update the selected NIIN, if F6 is entered.
- (4) **Field Name:** NON APPROVED ITEM NAME
Entry Requirement: Enter the 19 character NON APPROVED ITEM NAME and press F6 to process the update.
Valid Entries: Valid entries may be an Item Identifying Name that adequately describes the NIIN on the input field.
Results: A LCG transaction will be sent to update the selected NIIN, if F6 is entered. The other fields can also be entered if desired. If other fields are entered, then separate transactions will be created.

- (5) **Field Name:** REF-PTL-DESCR-MTHD-RSN
Entry Requirement: Enter the appropriate RPD MRC and press F6 to process the update.
Valid Entries: Valid entries can be obtained by positioning the cursor on the input field and pressing F1 for HELP. While in HELP a definition and a list of Valid Values will appear. Position the cursor next to the appropriate value and use the “sticky cursor” option. The selected value will be entered into the field automatically.
Results: A LCG transaction will be sent to update the selected NIIN, if F6 is entered. The other fields can also be entered if desired. If other fields are entered, then separate transactions will be created.
- (6) **Field Name:** TYPE OF ITEM IDENTIFICATION
Entry Requirement: Enter the appropriate TYPE OF ITEM IDENTIFICATION CODE and press F6 to process the update.
Valid Entries: Valid entries can be obtained by positioning the cursor on the input field and pressing F1 for HELP. While in HELP a definition and a list of Valid Values will appear. Position the cursor next to the appropriate value and use the “sticky cursor” option. The selected value will be entered into the field automatically.
Results: A LCG transaction will be sent to update the selected NIIN, if F6 is entered. The other fields can also be entered if desired. If other fields are entered, then separate transactions will be created.

c. Available Function Keys. The following unique function keys may be used from the CHANGE FSC OR FSC RELATED DATA screen. All standardized FLIS function keys are available. Refer to Section [16.3.2.e](#) of this document.

F5	Cancel	Cancels current search and returns to the LOLA Update Main Menu.
F6	PROCESS	Validate the data input on the screen and sends the transaction to be processed.
F9	FILE DATA	Displays current file data.

A.80 LOLADG - Add Data Element Screen

SCRNID: LOLADG
USERID: xxxxxxxx

L O L A U P D A T E
ADD DATA ELEMENT

DATE: 03-OCT-00
TIME: 08:37

ENTER REQUIRED VALUE(S) :

NSN 6150 012333333

HAZARDOUS MATERIAL CODE —

INTEGRITY CODE —

LESS THAN CARLOAD RATING CD _

RAIL VARIATION CODE —

F1=HELP F2=CLEAR SCR F3=LOLA MENU F4=MAIN MENU F5=CANCEL F6=PROCESS
F7= F8= F9= F10= F11= F12=

a. Screen Explanation. This screen will be used to Add data to the FREIGHT DATA Group (LAD).

b. Field Entry Requirements. The valid entries are described below.

- (1) Field Name: HAZARDOUS MATERIAL CODE
Entry Requirement: Enter the HAZARDOUS MATERIAL CODE and press F6.
Valid Entries: Valid entries can be obtained by positioning the cursor on the input field and pressing F1 for HELP. While in HELP a definition and a list of Valid Values will appear. Position the cursor next to the appropriate value and use the “sticky cursor” option. The selected value will be entered into the field automatically.
Results: A LAD transaction will be sent to update the selected NIIN, if F6 is entered. Other fields can also be entered. If other fields are entered, separate transactions will be created.
- (2) Field Name: INTEGRITY CODE
Entry Requirement: Enter the INTEGRITY CODE and press F6 to process.
Valid Entries: Valid entries can be obtained by positioning the cursor on the input field and pressing F1 for HELP. While in HELP a definition and a list of Valid Values will appear. Position the cursor next to the appropriate value and use the “sticky cursor” option. The selected value will be entered into the field automatically.
Results: A LAD transaction will be sent to update the selected NIIN, if F6 is entered. Other fields can also be entered. If other fields are entered, separate transactions will be created.
- (3) Field Name: LESS THAN CARLOAD RATING CD
Entry Requirement: Enter the appropriate LESS THAN CARLOAD RATING CODE and press F6 to process the update.
Valid Entries: Valid entries can be obtained by positioning the cursor on the input field and pressing F1 for HELP. While in HELP a definition and a list of Valid Values will appear. Position the cursor next to the appropriate value and use the “sticky cursor” option. The selected value will be entered into the field automatically.
Results: A LAD transaction will be sent to update the selected NIIN, if F6 is entered. Other fields can also be entered. If other fields are entered, separate transactions will be created.

- (4) **Field Name:** RAIL VARIATION CODE
Entry Requirement: Enter the appropriate RAIL VARIATION CODE and press F6 to process the update.
Valid Entries: Valid entries can be obtained by positioning the cursor on the input field and pressing F1 for HELP. While in HELP a definition and a list of Valid Values will appear. Position the cursor next to the appropriate value and use the “sticky cursor” option. The selected value will be entered into the field automatically.
Results: A LAD transaction will be sent to update the selected NIIN, if F6 is entered. Other fields can also be entered. If other fields are entered, separate transactions will be created.

c. Available Function Keys. The following unique function keys may be used from the ADD DATA ELEMENT screen. All standardized FLIS function keys are available. Refer to Section [16.3.2.e](#) of this document.

- | | | |
|----|---------|---|
| F5 | Cancel | Cancels current search and returns to the LOLA Update Main Menu. |
| F6 | PROCESS | Validate the data input on the screen and forward the transaction for processing. |

A.81 LOLSGA - Identification Data Group Screen

SCRNCD: LOLSGA L O L A U P D A T E DATE: 03-OCT-00
USERID: XXXXXXX ITEM IDENTIFICATION DATA GROUP TIME: 07:26

NSN 5310

INC	_____
OR ITEM NAME	_____
TYPE OF II	-
FIIG	_____
DEMIL	-
RPDMRC	-
CRITICALITY CODE	-
PMIC	-
ADPE CODE	-
ESDC	-
HMIC	-

<MSG 3032> ENTER NEW DATA AND PRESS PF6 TO PROCESS

F1=HELP	F2=CLEAR SCR	F3=LOLA MENU	F4=MAIN MENU	F5=CANCEL	F6=PROC SCREEN
F7=	F8=	F9=	F10=	F11=	F12=PROC TRANS

a. Screen explanation. This screen is used for new NIIN Assignments (LN_) or NIIN Reinstatements (LB_). This will be required for input, to create the selected transaction.

b. Field Entry Requirements. The valid entries are described below.

- | | | |
|-----|--------------------|--|
| (1) | Field Name: | INC |
| | Entry Requirement: | Enter the ITEM NAME CODE and press F6. |
| | Valid Entries: | An ITEM NAME CODE. |
| | Results: | The cursor will move to the next input field. |
| (2) | Field Name: | ITEM NAME |
| | Entry Requirement: | To be used when an INC is not entered, this field is used for Non Approved Item Names only. |
| | Valid Entries: | An item Identifying Name. |
| | Results: | The cursor will move to the next input field. |
| (3) | Field Name: | TYPE OF II |
| | Entry Requirement: | Enter the TYPE OF ITEM IDENTIFICATION CODE. |
| | Valid Entries: | Valid entries can be obtained by positioning the cursor on the input field and pressing F1 for HELP. While in HELP a definition and a list of Valid Values will appear. Position the cursor next to the appropriate value and use the "sticky cursor" option. The selected value will be entered into the field automatically. |
| | Results: | The cursor will move to the next input field. |
| (4) | Field Name: | FIIG |
| | Entry Requirement: | Enter the appropriate Guide Number FIIG. |
| | Valid Entries: | A valid FIIG Number must be entered. |
| | Results: | The cursor will move to the next input field. |
| (5) | Field Name: | DEMIL |
| | Entry Requirement: | Enter the appropriate Demilitarization Code. |
| | Valid Entries: | Valid entries can be obtained by positioning the cursor on the input field and pressing F1 for HELP. While in HELP a definition and a list of Valid Values will appear. Position the cursor next to the appropriate value and use the "sticky cursor" option. The selected value will be entered into the field automatically. |
| | Results: | The cursor will move to the next input field. |
| (6) | Field Name: | RPDMRC |

Entry Requirement: Enter the appropriate RPD MRC.
Valid Entries: Valid entries can be obtained by positioning the cursor on the input field and pressing F1 for HELP. While in HELP a definition and a list of Valid Values will appear. Position the cursor next to the appropriate value and use the “sticky cursor” option. The selected value will be entered into the field automatically.
Results: The cursor will move to the next input field.

(7) Field Name: CRITICALITY CODE
Entry Requirement: Enter the appropriate CRITICALITY CODE.
Valid Entries: Valid entries can be obtained by positioning the cursor on the input field and pressing F1 for HELP. While in HELP a definition and a list of Valid Values will appear. Position the cursor next to the appropriate value and use the “sticky cursor” option. The selected value will be entered into the field automatically.
Results: The cursor will move to the next input field.

(8) Field Name: PMIC
Entry Requirement: Enter the appropriate PMIC.
Valid Entries: Valid Entries can be obtained by positioning the cursor on the input field and pressing F1 for HELP. While in HELP a definition and a list of Valid Values will appear. Position the cursor next to the appropriate value and use the “sticky cursor” option. The selected value will be entered into the field automatically.
Results: The cursor will move to the next input field.

(9) Field Name: ADPE CODE
Entry Requirement: Enter the ADPEC and press F6 to process.
Valid Entries: Valid entries can be obtained by positioning the cursor on the input field and pressing F1 for HELP. While in HELP a definition and a list of Valid Values will appear. Position the cursor next to the appropriate value and use the “sticky cursor” option. The selected value will be entered into the field automatically.
Results: The cursor will move to the next input field.

(10) Field Name: ESDC
Entry Requirement: Enter the appropriate ESDC.

Valid Entries: Valid entries can be obtained by positioning the cursor on the input field and pressing F1 for HELP. While in HELP a list of Valid Values will appear. Position the cursor next to the appropriate value and use the “sticky cursor” option. The selected value will be entered into the field automatically.

Results: The cursor will move to the next input field.

(11) Field Name: HMIC

Entry Requirement: Enter the appropriate HMIC.

Valid Entries: Valid entries can be obtained by positioning the cursor on the input field and pressing F1 for HELP. While in HELP a definition and a list of Valid Values will appear. Position the cursor next to the appropriate value and use the “sticky cursor” option. The selected value will be entered into the field automatically.

Results: The MOE RULE DATA GROUP screen will be displayed.

c. Available Function Keys. The following unique function keys may be used from the IDENTIFICATION DATA GROUP screen. All standardized FLIS function keys are available. Refer to Section [16.3.2.e](#) of this document.

F5	Cancel	Cancels current search and returns to the LOLA Update Main Menu.
F6	PROC SCREEN	Validate the data input on the screen. This key must be used prior to submitting the transaction.
F12	PROC TRANS	This will create the transaction and send the user to the next input screen/menu.

a. Screen Explanation. This screen will be used to create a LCD transaction to change data in the Catalog Management Data Group.

b. Field Entry Requirements. The valid entries are described below.

- (1) Field Name: MOE/MAC
Entry Requirement: The MOE Code is used when there is only one (1) “line” of CMD Data recorded for the Users Service. The MAC is used when multiple “lines” of CMD Data are recorded for the Users Service.
Valid Entries: Press F1 for help on the MOE Code MS, SS.
Results: The cursor will be moved to the next input field.
- (2) Field Name: EFFECTIVE DATE
Entry Requirement: A valid Julian date for an Effective Dated Transaction or '00000' if you want the transaction to process now.
Valid Entries: The 5 position Julian date or 5 '0s'.
Results: The cursor will be moved to the next input field.
- (3) Field Name: CHANGE SERVICE RELATED CMD DATA
Entry Requirement: Enter an 'X' to select this option and press F6.
Valid Entries: Valid entry is 'X'.
Results: The user will be sent to their Service Related data screen. The following data can be updated dependent on the Service of the user.
ARMY: MANAGEMENT CONTROL DATA, ARMY RECOVERABILITY CODE, ARMY
AIR FORCE: MANAGEMENT CONTROL DATA, AIR FORCE ERRC CODE, AIR FORCE
COAST GUARD: MANAGEMENT CONTROL DATA, COAST GUARD REPARABILITY CODE, COAST GUARD
MARINE CORPS: MANAGEMENT CONTROL DATA, MARINE CORPS RECOVERABILITY CODE, MARINE CORPS
NAVY: MANAGEMENT CONTROL DATA, NAVY MATERIAL CONTROL CODE, NAVY
- (4) Field Name: CHANGE BASIC MANAGEMENT DATA
Entry Requirement: Enter an 'X' next to this option and press F6.
Valid Entries: An 'X' is required to select this option.

- Results: The cursor will move to the next input field, or you can press F6 to create a transaction for this option. If other fields are selected, then separate LCD transactions will be created.
- (5) Field Name: CHANGE UNIT OF ISSUE DATA
Entry Requirement: Enter an 'X' next to this option and press F6.
Valid Entries: An 'X' is required to select this option.
Results: The cursor will move to the next input field, or you can press F6 to create a transaction for this option. If other fields are selected, then separate LCD transactions will be created.
- (6) Field Name: CHANGE FORMER PHRASE RELATIONSHIP GROUP
Entry Requirement: Enter an 'X' next to this option and press F6.
Valid Entries: An 'X' is required to select this option.
Results: The cursor will move to the next input field, or you can press F6 to create a transaction for this option. If other fields are selected, then separate LCD transactions will be created.
- (7) Field Name: CHANGE QUANTITATIVE EXPRESSION
Entry Requirement: Enter an 'X' next to this option and press F6.
Valid Entries: An 'X' is required to select this option.
Results: Press F6 to create a transaction for this option. If other fields have been selected, then separate LCD transactions will be created.

c. Available Function Keys. The following unique function keys may be used from the CHANGE CATALOG MANAGEMENT DATA screen. All standardized FLIS function keys are available. Refer to Section [16.3.2.e](#) of this document.

- | | | |
|----|---------|---|
| F5 | Cancel | Cancels current search and returns to the LOLA Update Main Menu. |
| F6 | PROCESS | Validate the data input on the screen and forward the transaction for processing. |

A.83 LOLSGB - MOE Rule Data Group Screen

SCRNCD: LOLSGB
USERID: XXXXXXXX

L O L A U P D A T E
M O E R U L E D A T A G R O U P

DATE: 03-OCT-00
TIME: 07:29

NSN 5310

EFFECTIVE DATE _____

TAG	MOE	FMR	A	M	I	M	A	M	C	DSOR	SUPPL-RCVR	SUPPL-COLLBR
MOE	MOE	MOE	M	S	M	C	A	S	I			
RULE	RULE	RULE	C	C	C	A	C	C	C			
-	_____	_____	-	-	-	-	-	-	-	_____	_____	_____
-	_____	_____	-	-	-	-	-	-	-	_____	_____	_____
-	_____	_____	-	-	-	-	-	-	-	_____	_____	_____
-	_____	_____	-	-	-	-	-	-	-	_____	_____	_____
-	_____	_____	-	-	-	-	-	-	-	_____	_____	_____
-	_____	_____	-	-	-	-	-	-	-	_____	_____	_____
-	_____	_____	-	-	-	-	-	-	-	_____	_____	_____
-	_____	_____	-	-	-	-	-	-	-	_____	_____	_____
-	_____	_____	-	-	-	-	-	-	-	_____	_____	_____

<MSG 3032> ENTER NEW DATA AND PRESS PF6 TO PROCESS

F1=HELP F2=CLEAR SCR F3=LOLA MENU F4=MAIN MENU F5=CANCEL F6=PROC SCREEN
F7=PAGE UP F8=PAGE DOWN F9=DLT ROW F10=FILE DATA F12=PROC TRANS

a. Screen Explanation. This screen will be used to create or maintain the MOE RULE Data Group. The use of this screen is determined by prior MENU selections. The transactions that use this screen are the LN_, LB_, LAU, LCU, and LDU transactions. Use F6 to process the screen, then F12 to process the transaction. If more MOE Rule transactions are required, use F8 after F6. Repeat as necessary. If you want to delete a MOE rule and associated data that was previously input (during the creation of this transaction), F7 or F8 to that MOE Rule and press F9. (NOTE: F2 only clears the screen, it will not delete the data from the transaction, you must use F9-DLT SCRN.)

b. Field Entry Requirements. The valid entries are described below.

- | | | |
|-----|--------------------|---|
| (1) | Field Name: | EFFECTIVE DATE |
| | Entry Requirement: | Enter the Julian Date that the transaction is to be effective. The default value will be todays date. |
| | Valid Entries: | Numeric values representing the Year and Day that the transaction is to be effective i.e, YYDDD. |
| | Results: | The Effective Date will be loaded into the transaction and the cursor will move to next field. |
| (2) | Field Name: | TAG |
| | Entry Requirement: | User may tag with a X |
| | Valid Entries: | and hit F9 to Delete the line. |
| | Results: | The cursor will move to the next field. |
| (3) | Field Name: | MOE RULE |
| | Entry Requirement: | The appropriate MOE Rule Number |
| | Valid Entries: | A valid MOE RULE Number. |
| | Results: | The cursor will move to the next field. |
| (4) | Field Name: | FMR MOE RULE |
| | Entry Requirement: | This field is required when changing a MOE RULE (LCU) transaction. |
| | Valid Entries: | A VALID MOE RULE. |
| | Results: | The cursor will move to the next field. |
| (5) | Field Name: | AMC |
| | Entry Requirement: | Enter the appropriate ACQUISITION METHOD CODE and press F6 to process the screen or continue to add/ modify the other fields. |

Valid Entries: Valid entries can be obtained by positioning the cursor on the input field and pressing F1 for HELP. While in HELP a definition and a list of Valid Values will appear. Position the cursor next to the appropriate value and use the “sticky cursor” option. The selected value will be entered into the field automatically.

Results: The cursor will move to the next input field.

(6) Field Name: AMSC
Entry Requirement: Enter the appropriate ACQUISITION METHOD SUFFIX CODE and press F6 to process the screen or continue to add/modify the other fields.

Valid Entries: Valid entries can be obtained by positioning the cursor on the input field and pressing F1 for HELP. While in HELP a definition and a list of Valid Values will appear. Position the cursor next to the appropriate value and use the “sticky cursor” option. The selected value will be entered into the field automatically.

Results: The cursor will move to the next input field.

(7) Field Name: IMC
Entry Requirement: Enter the appropriate ITEM MANAGEMENT CODE and press F6 to process the screen or continue to add/modify the other fields.

Valid Entries: Valid entries can be obtained by positioning the cursor on the input field and pressing F1 for HELP. While in HELP a definition and a list of Valid Values will appear. Position the cursor next to the appropriate value and use the “sticky cursor” option. The selected value will be entered into the field automatically.

Results: The cursor will move to the next input field.

(8) Field Name: IMCA
Entry Requirement: Enter the appropriate ITEM MANAGEMENT CODING ACTIVITY and press F6 to process the screen or continue to add/modify the other fields.

Valid Entries: A valid Activity Code can be found by positioning the cursor on the input field and pressing F1 for HELP. While in HELP a definition and a list of Valid Values will appear. Position the cursor next to the appropriate value and use the “sticky cursor” option. The selected value will be entered into the field automatically.

Results: The cursor will move to the next input field.

- (9) **Field Name:** DSOR
Entry Requirement: Enter the appropriate DEPOT SOURCE OF REPAIR CODE and press F6 to process the screen or continue to add/modify the other fields.
Valid Entries: A valid Activity Code can be obtained by positioning the cursor on the input field and pressing F1 for HELP. While in HELP a definition and a list of Valid Values will appear. Position the cursor next to the appropriate value and use the “sticky cursor” option. The selected value will be entered into the field automatically.
Results: The cursor will move to the next input field.
- (10) **Field Name:** NIMSC
Entry Requirement: Enter the appropriate NIMSC and press F6 to process the screen or continue to add/modify the other fields.
Valid Entries: Valid entries can be obtained by positioning the cursor on the input field and pressing F1 for HELP. While in HELP a definition and a list of Valid Values will appear. Position the cursor next to the appropriate value and use the “sticky cursor” option. The selected value will be entered into the field automatically.
Results: The cursor will move to the next input field.
- (11) **Field Name:** CIC
Entry Requirement: Enter the appropriate CARD IDENTIFICATION CODE and press F6 to process the screen or continue to add/modify the other fields.
Valid Entries: Valid entries can be obtained by positioning the cursor on the input field and pressing F1 for HELP. While in HELP a definition and a list of Valid Values will appear. Position the cursor next to the appropriate value and use the “sticky cursor” option. The selected value will be entered into the field automatically.
Results: The cursor will move to the next input field.
- (12) **Field Name:** SUPPL-RCVR
Entry Requirement: Enter the appropriate SUPPLEMENTAL RECEIVER CODE and press F6 to process the update or continue to add/modify the other fields.

Valid Entries: A Valid Activity Code can be obtained by positioning the cursor on the input field and pressing F1 for HELP. While in HELP a definition and a list of Valid Values will appear. Position the cursor next to the appropriate value and use the “sticky cursor” option. The selected value will be entered into the field automatically.

Results: The cursor will move to the next input field.

(13) Field Name: SUPPL-COLLBR

Entry Requirement: Enter the appropriate SUPPLEMENTAL COLLABORATOR CODE(S) and press F6 to process the screen.

Valid Entries: A valid Activity Code can be obtained by positioning the cursor on the input field and pressing F1 for HELP. While in HELP a definition and a list of Valid Values will appear. Position the cursor next to the appropriate value and use the “sticky cursor” option. The selected value will be entered into the field automatically.

Results: Press F6 to process the screen, then F12 to process the transaction.

c. Available Function Keys. The following unique function keys may be used from the MOE RULE DATA GROUP screen. All standardized FLIS function keys are available. Refer to Section [16.3.2.e](#) of this document.

F5	Cancel	Cancels current search and returns to the LOLA Update Main Menu.
F6	PROC SCREEN	Validate the data input on the screen. This key must be used prior to submitting the transaction.
F7	PREV MOE	Displays the first MOE Rule transaction for this session if the screen is blank. If data has been entered, the previous input MOE Rule will be displayed.
F8	NEXT MOE	Clears the input fields and allows another MOE Rule to be entered unless you were paging up (F7) in which case it takes you to the next record.
F9	DLT SCRN	Deletes the specific MOE Rule displayed on the screen and displays the next MOE Rule entered for this session, unless it was the last record, in which case it will display a blank screen.
F12	PROC TRANS	This will create the transaction and send the user to the next input screen/menu.

A.84 LOLDDDB - Delete MOE Rule Data Screen

SCRNCD: LOLDDDB L O L A U P D A T E DATE: 03-OCT-00
USERID: XXXXXXXX DELETE MOE RULE DATA TIME: 07:50

NSN 6150 012333333

MOE RULE _____

SUPPL-RECEIVER
DELETE TAG

SUPPL-COLLABORATOR
DELETE TAG

DEPOT SOURCE OF REPAIR
DELETE TAG

<MSG 1692> ENTER MOE RULE OF DATA TO BE DELETED

<MSG 0534> PRESS PF6 TO PROCESS

F1=HELP F2=CLEAR SCR F3=LOLA MENU F4=MAIN MENU F5=CANCEL F6=PROCESS SCR
F7= F8= F9= F10= F11= F12=PROCESS TRAN

a. Screen Explanation. The screen is used to delete Element(s) from the MOE RULE Data Group. It will not delete the MOE RULE from the NIIN.

b. Field Entry Requirements. The valid entries are described below.

- | | | |
|-----|--------------------|---|
| (1) | Field Name: | NSN |
| | Entry Requirement: | No entry requirements, the value is defaulted. |
| | Valid Entries: | Not applicable. |
| | Results: | The NSN is the stock number that the transaction will be processed against. |
| (2) | Field Name: | MOE RULE |
| | Entry Requirement: | Enter Valid MOE RULE and Press F6. |
| | Valid Entries: | A MOE RULE registered on the displayed NSN. |
| | Results: | Data for the requested MOE RULE will be returned to the screen. |
| (3) | Field Name: | EFFECTIVE DATE |
| | Entry Requirement: | The Julian Date the transaction is to be effective. |
| | Valid Entries: | A numeric date 0-9. |
| | Results: | The cursor will move to the next input field. |
| (4) | Field Name: | SUPPL-RCVR |
| | Entry Requirement: | Place an 'X' next to one or more SUPPLEMENTAL RECEIVERS. |
| | Valid Entries: | 'X'. |
| | Results: | The tagged SUPPLEMENTAL RECEIVER(S) will be deleted if F6 is pressed or other Data Elements can be deleted as well. |
| (5) | Field Name: | SUPPL-COLL |
| | Entry Requirement: | Place an 'X' next to one or more SUPPLEMENTAL COLLABORATORS. |
| | Valid Entries: | 'X'. |
| | Results: | The tagged SUPPLEMENTAL COLLABORATOR(S) will be deleted if F6 is pressed or other Data Elements can be deleted as well. |
| (6) | Field Name: | DEPOT SOURCE OF REPAIR |
| | Entry Requirement: | Place an 'X' next to one or more DEPOT SOURCE OF REPAIR. |
| | Valid Entries: | 'X'. |

Results: The tagged DEPOT SOURCE OF REPAIR(S) will be deleted if F6 is pressed as well as the other tagged Data Elements.

c. Available Function Keys. The following unique function keys may be used from the DELETE MOE RULE DATA screen. All standardized FLIS function keys are available. Refer to Section [16.3.2.e](#) of this document.

F5	Cancel	Cancels current search and returns to the LOLA Update Main Menu.
F6	PROCESS	Validate the data input on the screen and process the transaction.

A.85 LOLSGC - Reference Number Data Screen

SCRNCD: LOLSGC
USERID: XXXXXXXX

L O L A U P D A T E
REFERENCE NUMBER DATA

DATE: 03-OCT-00
TIME: 07:30

DLT TAG	CAGE	REFERENCE NUMBER	R	R	N	R	R	R	S
		NSN: 5310	N	N	D	A	N	N	N
			C	V	A	A	F	S	J
			C	C	C	C	C	C	C
-	---	-----	-	-	-	-	-	-	-
-	---	-----	-	-	-	-	-	-	-
-	---	-----	-	-	-	-	-	-	-
-	---	-----	-	-	-	-	-	-	-
-	---	-----	-	-	-	-	-	-	-
-	---	-----	-	-	-	-	-	-	-
-	---	-----	-	-	-	-	-	-	-
-	---	-----	-	-	-	-	-	-	-

<MSG 2291> ENTER CRITERIA AND PRESS PF6 TO COMMIT

F1=HELP F2=CLEAR SCR F3=LOLA MENU F4=MAIN MENU F5=CANCEL F6=PROC SCREEN
F7=PAGE UP F8=PAGE DOWN F9=DLT ROW F10= F11= F12=PROC TRANS

a. Screen Explanation. This screen is used to Add, Change, or Delete Reference Number Data. To view Reference Data that is assigned to the submitted NIIN use the F7 and F8 keys to page through Reference Numbers. After entering data use F6 to process screen, then press the appropriate F key for the processing desired. If more Reference Numbers are required press F8 and repeat this process as necessary. Once all the reference number transactions have been entered press F12. If you want to delete a Reference Number and associated data that was previously entered on this transaction use F7/F8 until the desired data is displayed on the screen then press F9. (NOTE: F2 only clears the screen, it will not delete the data from the transaction, you must use F9-DLT SCRN.)

b. Field Entry Requirements. The valid entries are described below.

- | | | |
|-----|--------------------|--|
| (1) | Field Name: | CAGE CODE |
| | Entry Requirement: | Enter the appropriate CAGE CODE. |
| | Valid Entries: | A valid CAGE CODE must be entered. |
| | Results: | The cursor will move to next input field. |
| (2) | Field Name: | REFERENCE NUMBER |
| | Entry Requirement: | Enter the appropriate REFERENCE NUMBER. |
| | Valid Entries: | A valid Reference Number (the first position cannot be blank). |
| | Results: | The cursor will be positioned on the next field or TAB to next field. |
| (3) | Field Name: | RNCC |
| | Entry Requirement: | Enter the appropriate RNCC. |
| | Valid Entries: | Valid entries can be obtained by positioning the cursor on the input field and pressing F1 for HELP. While in HELP a definition and a list of Valid Values will appear. Position the cursor next to the appropriate value and use the “sticky cursor” option. The selected value will be entered into the field automatically. |
| | Results: | The cursor will move to next field. |
| (4) | Field Name: | RNVC |
| | Entry Requirement: | Enter the appropriate RNVC. |
| | Valid Entries: | Valid entries can be obtained by positioning the cursor on the input field and pressing F1 for HELP. While in HELP a definition and a list of Valid Values will appear. Position the cursor next to the appropriate value and use the “sticky cursor” option. The selected value will be entered into the field automatically. |
| | Results: | The cursor will move to the next input field. |

- (5) **Field Name:** DAC
Entry Requirement: Enter the appropriate DAC.
Valid Entries: Valid entries can be obtained by positioning the cursor on the input field and pressing F1 for HELP. While in HELP a definition and a list of Valid Values will appear. Position the cursor next to the appropriate value and use the “sticky cursor” option. The selected value will be entered into the field automatically.
Results: The cursor will move to next input field.
- (6) **Field Name:** RNAAC
Entry Requirement: Enter the appropriate RNAAC.
Valid Entries: Valid entries can be obtained by positioning the cursor on the input field and pressing F1 for HELP. While in HELP a definition and a list of Valid Values will appear. Position the cursor next to the appropriate value and use the “sticky cursor” option. The selected value will be entered into the field automatically.
Results: The cursor will move to next input field.
- (7) **Field Name:** RNFC
Entry Requirement: Enter the appropriate RNFC.
Valid Entries: Valid entries can be obtained by positioning the cursor on the input field and pressing F1 for HELP. While in HELP a definition and a list of Valid Values will appear. Position the cursor next to the appropriate value and use the “sticky cursor” option. The selected value will be entered into the field automatically.
Results: The cursor will move to the next input field.
- (8) **Field Name:** RNSC
Entry Requirement: Enter the appropriate RNSC.
Valid Entries: Valid entries can be obtained by positioning the cursor on the input field and pressing F1 for HELP. While in HELP a definition and a list of Valid Values will appear. Position the cursor next to the appropriate value and use the “sticky cursor” option. The selected value will be entered into the field automatically.
Results: The cursor will move to the next input field.
- (9) **Field Name:** RNJC

Entry Requirement: Enter the appropriate RNJC.
Valid Entries: Valid entries can be obtained by positioning the cursor on the input field and pressing F1 for HELP. While in HELP a definition and a list of Valid Values will appear. Position the cursor next to the appropriate value and use the “sticky cursor” option. The selected value will be entered into the field automatically.
Results: The cursor will move to the next input field.

(10) Field Name: SADC
Entry Requirement: Enter the appropriate SADC
Valid Entries: Valid entries can be obtained by positioning the cursor on the input field and pressing F1 for HELP. While in HELP a definition and a list of Valid Values will appear. Position the cursor next to the appropriate value and use the “sticky cursor” option. The selected value will be entered into the field automatically.
Results: The cursor will move to the next input field.

c. Available Function Keys. The following unique function keys may be used from the REFERENCE NUMBER DATA screen. All standardized FLIS function keys are available. Refer to Section [16.3.2.e](#) of this document.

F5	Cancel	Cancels current search and returns to the LOLA Update Main Menu.
F6	PROC SCREEN	Validate the data input on the screen. This key must be used prior to submitting the transaction.
F7	PREV REF	Displays the first Reference Number input for this transaction if the screen is blank. If data has been entered and F6 pressed, the previous input will be displayed.
F8	NEXT REF	Clears the input fields and allows another reference number to be input. If you were paging up (F7), it will take you to the next record.
F9	DLT SCRIN	Deletes the data displayed on the screen and displays the next record, unless it was the last record in which case it will display a blank screen.
F12	PROC TRANS	This will create the transaction and send the user to the next input screen/menu.

A.86 LOLSGE - Standardization Relationship Data Screen

SCRNCD: LOLSGE L O G R U N U P D A T E DATE: 03-OCT-00
 USERID: XXXXXXX STANDARDIZATION RELATIONSHIP DATA TIME: 07:32

```

-----
      REPLACEMENT                ORIG                STDZN DEC
      NSN                        STDZN DEC          DATE
      5310                       -                  -
=====
      REPLACED                   RPLD              ORIG                STDZN DEC
      NSN                        ISC                STDZN DEC          DATE
      _____                -                  -                  -
      _____                -                  -                  -
      _____                -                  -                  -
      _____                -                  -                  -
      _____                -                  -                  -
      _____                -                  -                  -
      _____                -                  -                  -
      _____                -                  -                  -
      _____                -                  -                  -
      _____                -                  -                  -
      _____                -                  -                  -
  
```

<MSG 2527> ENTER DATA INTO REPLACEMENT AND REPLACED DATA FIELDS
 <MSG 2532> PF6 (PROCESS SCREEN), PF12 (PROCESS TRANSACTION), OR PF5 (CANCEL)
 F1=HELP F2=CLEAR SCR F3=LOLA MENU F4=MAIN MENU F5=CANCEL F6=PROC SCREEN
 F7= PAGE UP F8= PAGE DOWN F9= F10= F12= PROC TRANS

a. Screen Explanation. Only REPLACEMENT NSN's are allowed to utilize this screen to create an LAS or LDS transaction. If you entered a REPLACED NSN on the Build Header Screen and wanted to create an LDS transaction, the NSN that was entered has been overlaid with the proper REPLACEMENT NSN. If this is not a valid situation press F5 to exit and try the STANDARDIZATION DATA option. If a LAS is required, input required data into the fields. If an LDS is required place an 'X' in the TAG Field corresponding to the NSN that is to be deleted from this relationship. Use F7/F8 to view additional screens. You must use F6 prior to paging up or down or processing the transaction.

b. Field Entry Requirements. The valid entries are described below.

- | | | |
|-----|--------------------|--|
| (1) | Field Name: | TAG |
| | Entry Requirement: | For LDS transactions only. Used to indicate which NSN is to be deleted for LDS transactions. |
| | Valid Entries: | 'X'. |
| | Results: | The cursor is moved to the next input field. |
| (2) | Field Name: | REPLACED NSN |
| | Entry Requirement: | A valid NSN. |
| | Valid Entries: | An NSN. |
| | Results: | The cursor will be moved to the next input field. |
| (3) | Field Name: | ISC |
| | Entry Requirement: | A valid ITEM STANDARDIZATION CODE. |
| | Valid Entries: | Valid entries can be obtained by positioning the cursor on the input field and pressing F1 for HELP. While in HELP a definition and a list of Valid Values will appear. Position the cursor next to the appropriate value and use the "sticky cursor" option. The selected value will be entered into the field automatically. |
| | Results: | The cursor will be moved to the next input field. |
| (4) | Field Name: | ORIG STDZN DEC |
| | Entry Requirement: | A valid ORIGINATOR STANDARDIZATION DECISION CODE. |
| | Valid Entries: | Valid entries can be obtained by positioning the cursor on the input field and pressing F1 for HELP. While in HELP a definition and a list of Valid Values will appear. Position the cursor next to the appropriate value and use the "sticky cursor" option. The selected value will be entered into the field automatically. |
| | Results: | The cursor will be moved to the next input field. |

- (5) Field Name: STDZN DEC DATE
Entry Requirement: A valid STANDARDIZATION DECISION DATE.
Valid Entries: The Julian date that the Standardization decision was made.
Results: The cursor will be move to the next input field, or press F6 to save the data that has been input on the screen.

c. Available Function Keys. The following unique function keys may be used from the STANDARDIZATION RELATIONSHIP DATA screen. All standardized FLIS function keys are available. Refer to Section [16.3.2.e](#) of this document.

- | | | |
|-----|-------------|---|
| F5 | Cancel | Cancels current search and returns to the LOLA Update Main Menu. |
| F6 | PROC SCREEN | Validate the data input on the screen. This key must be used prior to submitting the transaction. |
| F7 | PAGE UP | To view the previous screens data. |
| F8 | PAGE DOWN | To view/input the next screens data. |
| F12 | PROC TRANS | This will create the transaction and send the user to the next input screen/menu. |

A.87 LOLDDA - Delete Item Identification Data Screen

SCRNCD: LOLDDA L O L A U P D A T E DATE: 03-OCT-00
USERID: XXXXXXX DELETE ITEM IDENTIFICATION DATA TIME: 08:33

NSN 5962 012222222

	DELETE TAG		LDD
-	ADPEC		0
-	ESDC		B
-	DEMIL		Q

<MSG 1676> ENTER "X" TO TAG ITEM(S) FOR DELETION

<MSG 0534> PRESS PF6 TO PROCESS

F1=HELP F2=CLEAR SCR F3=LOLA MENU F4=MAIN MENU F5=CANCEL F6=PROCESS SCR
F7= F8= F9= F10= F11= F12=PROCESS TRAN

a. Screen Explanation. This screen will create an LDD transaction against the Item Identification Data Group.

b. Field Entry Requirements. The valid entries are described below.

- | | |
|--------------------|--|
| (1) Field Name: | ADPEC |
| Entry Requirement: | Enter the appropriate ADPEC. |
| Valid Entries: | Valid entries can be obtained by positioning the cursor on the input field and pressing F1 for HELP. While in HELP a definition and a list of Valid Values will appear. Position the cursor next to the appropriate value and use the "sticky cursor" option. The selected value will be entered into the field automatically. |
| Results: | The LDD transaction is now ready to be submitted. |

c. Available Function Keys. The following unique function keys may be used from the DELETE ITEM IDENTIFICATION DATA screen. All standardized FLIS function keys are available. Refer to Section [16.3.2.e](#) of this document.

- | | | |
|----|---------|--|
| F5 | Cancel | Cancels current search and returns to the LOLA Update Main Menu. |
| F6 | PROCESS | Validate the data input on the screen and process the transaction. |

a. Screen Explanation. This screen allows the user to select the appropriate Catalog Management Data for their LAD Transaction. If Service Related CMD Data is selected the user will be automatically transferred to their Service Management Control Data.

b. Field Entry Requirements. The valid entries are described below.

- | | | |
|-----|--------------------|--|
| (1) | Field Name: | MOE/MAC |
| | Entry Requirement: | User may leave the MOE/MAC displayed or change to another valid MOE/MAC. If no change Tab to next field. |
| | Valid Entries: | A list of valid MOE Codes can be viewed by positioning the cursor on the input field and pressing F1 for Help. A definition and valid values will display. Position cursor next to required value and use "sticky cursor". The selected value will be placed in the field automatically. |
| | Results: | Cursor will move to next input field or use Tab key. |
| (2) | Field Name: | EFFECTIVE DATE |
| | Entry Requirement: | Enter the Julian Date the transaction is to process. |
| | Valid Entries: | A valid Julian Date: all numerics (0-9). |
| | Results: | Cursor will be moved to next field on the screen. |
| (3) | Field Name: | ADD SERVICE RELATED CMD DATA |
| | Entry Requirement: | Place the cursor next to option and press F6. |
| | Valid Entries: | No entry is required. |
| | Results: | The appropriate Add Service Management Data Element screen will be displayed. |
| (4) | Field Name: | ADD PHRASE RELATIONSHIP GROUP |
| | Entry Requirement: | Place cursor next to this option and press F6. |
| | Valid Entries: | No entry is required. |
| | Results: | Receive 'ADD PHRASE RELATIONSHIP' screen. |
| (5) | Field Name: | ADD PHRASE (TECHNICAL DOCUMENT NUMBER) ONLY |
| | Entry Requirement: | Place cursor next to this option and press F6. |
| | Valid Entries: | No entry is required. |
| | Results: | Receive 'ADD TECHNICAL DOCUMENT NUMBER' screen. |
| (6) | Field Name: | ADD JTC RELATIONSHIP GROUP |
| | Entry Requirement: | Place cursor next to this option and press F6. |
| | Valid Entries: | No entry is required. |

Results: Receive 'ADD JTC RELATIONSHIP' screen.

c. Available Function Keys. The following unique function keys may be used from the ADD CATALOG MANAGEMENT DATA screen. All standardized FLIS function keys are available. Refer to Section [16.3.2.e](#) of this document.

F5	Cancel	Cancels current search and returns to the LOLA Update Main Menu.
F6	PROCESS	Validate the data input on the screen and process the transaction.

a. Screen Explanation. This screen is used to Change Management Data using the LCD transaction. Fill in the field(s) that are to be changed and press F6, then F12. A LCD transaction will be created for each field that has a valid entry.

b. Field Entry Requirements. The valid entries are described below.

- (1) Field Name: EFFECTIVE DATE
Entry Requirement: Automatically entered from previous screen.
Valid Entries: N/A
Results: N/A

- (2) Field Name: MOE/MAC CODE
Entry Requirement: Automatically entered from previous screen.
Valid Entries: N/A
Results: N/A

- (3) Field Name: ACQUISITION ADVICE CODE
Entry Requirement: Enter the appropriate ACQUISITION ADVICE CODE.
Valid Entries: Valid entries can be obtained by positioning the cursor on the input field and pressing F1 for HELP. While in HELP a definition and a list of Valid Values will appear. Position the cursor next to the appropriate value and use the “sticky cursor” option. The selected value will be entered into the field automatically.
Results: A LCD transaction will be sent to update the selected NIIN. The other fields can also be entered if desired. If other fields are entered, then separate transactions will be created.

- (4) Field Name: SOURCE OF SUPPLY/SOSM CD
Entry Requirement: Enter the appropriate SOURCE OF SUPPLY or SOURCE OF SUPPLY MODIFIER CODE.
Valid Entries: Valid entries can be obtained by positioning the cursor on the input field and pressing F1 for HELP. While in HELP a definition and a list of Valid Values will appear. Position the cursor next to the appropriate value and use the “sticky cursor” option. The selected value will be entered into the field automatically. There will be no valid values available for the Source of Supply Modifier.
Results: A LCD transaction will be sent to update the selected NIIN. The other fields can also be entered if desired. If other fields are entered, then separate transactions will be created.

- (5) **Field Name:** UNIT OF ISSUE CD
Entry Requirement: Enter the appropriate UNIT OF ISSUE CODE.
Valid Entries: Valid entries can be obtained by positioning the cursor on the input field and pressing F1 for HELP. While in HELP a definition and a list of Valid Values will appear. Position the cursor next to the appropriate value and use the “sticky cursor” option. The selected value will be entered into the field automatically.
Results: A LCD transaction will be sent to update the selected NIIN. The other fields can also be entered if desired. If other fields are entered, then separate transactions will be created.
- (6) **Field Name:** QUANTITY UNIT PACK CODE
Entry Requirement: Enter the appropriate QUANTITY UNIT PACK CODE.
Valid Entries: Valid entries can be obtained by positioning the cursor on the input field and pressing F1 for HELP. While in HELP a definition and a list of Valid Values will appear. Position the cursor next to the appropriate value and use the “sticky cursor” option. The selected value will be entered into the field automatically.
Results: A LCD transaction will be sent to update the selected NIIN. The other fields can also be entered if desired. If other fields are entered, then separate transactions will be created.
- (7) **Field Name:** CONTROLLED INVENTORY ITEM CODE
Entry Requirement: Enter the CONTROLLED INVENTORY ITEM CODE.
Valid Entries: Valid entries can be obtained by positioning the cursor on the input field and pressing F1 HELP. While in HELP a definition and a list of values will appear. Place cursor next to the appropriate value and use the “sticky cursor” option. The selected value will be entered into the field automatically.
Results: A LCD transaction will be sent to update the selected NIIN. The other fields can also be entered if desired. If other fields are entered, then separate transactions will be created.
- (8) **Field Name:** SHELF LIFE CODE
Entry Requirement: Enter the appropriate SHELF LIFE CODE.

Valid Entries: Valid entries can be obtained by positioning the cursor on the input field and pressing F1 for HELP. While in HELP a definition and a list of Valid Values will appear. Position the cursor next to the appropriate value and use the “sticky cursor” option. The selected value will be entered into the field automatically.

Results: A LCD transaction will be sent to update the selected NIIN. The other fields can also be entered if desired. If other fields are entered, then separate transactions will be created.

(9) Field Name: PHRASE CODE
Entry Requirement: Enter the appropriate PHRASE CODE.
Valid Entries: Valid entries can be obtained by positioning the cursor on the input field and pressing F1 for HELP. While in HELP a definition and a list of Valid Values will appear. Position the cursor next to the appropriate value and use the “sticky cursor” option. The selected value will be entered into the field automatically.

Results: A LCD transaction will be sent to update the selected NIIN. The other fields can also be entered if desired. If other fields are entered, then separate transactions will be created.

(10) Field Name: UNIT PRICE
Entry Requirement: Enter the appropriate UNIT PRICE.
Valid Entries: A valid NUMERIC (0-9) Unit Price must be entered.
Results: A LCD transaction will be sent to update the selected NIIN. The other fields can also be entered if desired. If other fields are entered, then separate transactions will be created.

c. Available Function Keys. The following unique function keys may be used from the Change Management Data screen. All standardized FLIS function keys are available. Refer to Section [16.3.2.e](#) of this document.

F5	Cancel	Cancels current search and returns to the LOLA Update Main Menu.
F6	PROC SCREEN	Validate the data input on the screen.
F12	PROC TRANS	Forwards the transaction for processing.

A.90 LOLCDB - Change MOE Rule Data Group Screen

SCRNCD: LOLCDB
USERID: xxxxxxxx

L O L A U P D A T E
ADD/CHANGE MOE RULE DATA

DATE: 03-OCT-00
TIME: 07:50

NSN 7035 012345555

MOE RULE _____

LCD

(ONLY ON NIMSC UPDATE) EFFECTIVE DATE _____

NIMSC	---								
CIC	---								
AMC	---								
AMSC	---								
IMC	---								
IMCA	---								
AAC	---								
DSOR	---	---	---	---					
FORMER DSOR	---	---	---	---					
SUPPL-COLLBR	---	---	---	---	---	---	---	---	---
FORMER COLLBR	---	---	---	---	---	---	---	---	---
SUPPL-RCVR	---	---	---	---	---	---	---	---	---
FORMER RCVR	---	---	---	---	---	---	---	---	---

ENTER MOE RULE AND PF6 TO PROCESS

F1=HELP F2=CLEAR SCR F3=LOLA MENU F4=MAIN MENU F5=CANCEL F6=PROC SCREEN
F7= F8= F9=FILE DATA F10= F11= F12=PROC TRANS

a. Screen Explanation. This screen will be used to change the MOE RULE Data assigned to a particular NIIN.

b. Field Entry Requirements. The valid entries are described below.

- (1) Field Name: MOE RULE
Entry Requirement: Enter the appropriate MOE RULE and press F6.
Valid Entries: A valid MOE RULE is required.
Results: The data associated with the input MOE will be returned to the screen.

- (2) Field Name: EFF DATE
Entry Requirement: Enter the Julian Date that the transaction will be processed, required with NIMSC only.
Valid Entries: The field will not be displayed until the NIMSC is changed and F6 is processed.
Results: The appropriate transaction will be created if F6 is entered. The other fields can also be entered if required.

- (3) Field Name: CIC
Entry Requirement: Enter the appropriate CARD IDENTIFICATION CODE, ITEM MANAGEMENT CODING and press F6 to process.
Valid Entries: Valid entries can be obtained by positioning the cursor on the input field and pressing F1 for HELP. While in HELP a definition and a list of Valid Values will appear. Position the cursor next to the appropriate value and use the “sticky cursor” option. The selected value will be entered into the field automatically.
Results: A transaction will be sent to update the selected NIIN, if F6 is entered. The other fields may be changed prior to pressing F6.

- (4) Field Name: AMC
Entry Requirement: Enter the appropriate ACQUISITION METHOD CODE and press F6 to process the update.
Valid Entries: Valid entries can be obtained by positioning the cursor on the input field and pressing F1 for HELP. While in HELP a definition and a list of Valid Values will appear. Position the cursor next to the appropriate value and use the “sticky cursor” option. The selected value will be entered into the field automatically.
Results: A transaction will be sent to update the selected NIIN, if F6 is entered. The other fields may be changed.

- (5) **Field Name:** AMC SUF
Entry Requirement: Enter the appropriate ACQUISITION METHOD SUFFIX CODE and press F6 to process the update.
Valid Entries: Valid entries can be obtained by positioning the cursor on the input field and pressing F1 for HELP. While in HELP a definition and a list of Valid Values will appear. Position the cursor next to the appropriate value and use the “sticky cursor” option. The selected value will be entered into the field automatically.
Results: Transaction will be sent to update the selected NIIN, if F6 is entered: The other fields may be changed.
- (6) **Field Name:** IMC
Entry Requirement: Enter the appropriate ITEM MANAGEMENT CODE and press F6 to process the update.
Valid Entries: Valid entries can be obtained by positioning the cursor on the input field and pressing F1 for HELP. While in HELP a definition and a list of Valid Values will appear. Position the cursor next to the appropriate value and use the “sticky cursor” option. The selected value will be entered into the field automatically.
Results: A transaction will be sent to update the selected NIIN, if F6 is entered. The other fields may be changed.
- (7) **Field Name:** IMCA
Entry Requirement: Enter the appropriate ITEM MANAGEMENT CODING ACTIVITY and press F6 to process the update.
Valid Entries: A listing of valid Activity Codes can be obtained by positioning the cursor on the input field and pressing F1 for HELP. While in HELP a definition and a list of Valid Values will appear. Position the cursor next to the appropriate value and use the “sticky cursor” option. The selected value will be entered into the field automatically.
Results: A transaction will be sent to update the selected NIIN, if F6 is entered. The other fields may be changed.
- (8) **Field Name:** DSOR
Entry Requirement: Enter the appropriate DEPOT SOURCE OF REPAIR and press F6 to process the update.

Valid Entries: A listing of valid Activity Codes can be obtained by positioning the cursor on the input field and pressing F1 for HELP. While in HELP a definition and a list of Valid Values will appear. Position the cursor next to the appropriate value and use the “sticky cursor” option. The selected value will be entered into the field automatically.

Results: A transaction will be sent to update the selected NIIN, if F6 is entered. The other fields may be changed.

(9) Field Name: SUPPL-COLLBR
Entry Requirement: Enter the appropriate SUPPLEMENTAL COLLABORATOR and press F6 to process the update.

Valid Entries: A listing of valid Activity Codes can be obtained by positioning the cursor on the input field and pressing F1 for HELP. While in HELP a definition and a list of Valid Values will appear. Position the cursor next to the appropriate value and use the “sticky cursor” option. The selected value will be entered into the field automatically.

Results: A transaction will be sent to update the selected NIIN, if F6 is entered. The other fields may be changed.

(10) Field Name: SUPPL-RCVR
Entry Requirement: Enter the appropriate SUPPLEMENTAL RECEIVER and press F6 to process the update.

Valid Entries: A listing of valid Activity Codes can be obtained by positioning the cursor on the input field and pressing F1 for HELP. While in HELP a definition and a list of Valid Values will appear. Position the cursor next to the appropriate value and use the “sticky cursor” option. The selected value will be entered into the field automatically.

Results: A transaction will be sent to update the selected NIIN, if F6 is entered. The other fields may be changed.

c. Available Function Keys. The following unique function keys may be used from the CHANGE MOE RULE DATA screen. All standardized FLIS function keys are available. Refer to Section [16.3.2.e](#) of this document.

F5	Cancel	Cancels current search and returns to the LOLA Update Main Menu.
F6	PROCESS	Validate the data input on the screen and forward the transaction for processing.

A.91 LOLCDG - Change Freight Data Screen

SCRNCD: LOLCDG
USERID: xxxxxxxx

L O L A U P D A T E
CHANGE FREIGHT DATA

DATE: 03-OCT-00
TIME: 08:35

NSN 6150 012333333

HZRD MTL

LCL

RAIL VAR

WATER CMDTY

TYPE CGO

SPCL HDLG

AIR DIM

AIR CMDTY

INTGTY CD

<MSG 2394> FILE DATA NOT PRESENT FOR NIIN.

F1=HELP F2=CLEAR SCR F3=LOLA MENU F4=MAIN MENU F5=CANCEL F6=PROCESS
F7= F8= F9= F10= F11= F12=

a. Screen Explanation. This screen is used to change Freight data on a NIIN. The screen can be used for a 'LCD' transaction.

b. Field Entry Requirements. The valid entries are described below.

- (1) Field Name: HZRD MTL
Entry Requirement: Enter the appropriate HAZARDOUS MATERIAL CODE, press F6 to process, or continue making changes.
Valid Entries: Valid entries can be obtained by positioning the cursor on the input field and pressing F1 for HELP. While in HELP a definition and a list of Valid Values will appear. Position the cursor next to the appropriate value and use the "sticky cursor" option. The selected value will be entered into the field automatically.
Results: The appropriate transaction will be sent to update the selected NIIN, if F6 is entered. The other fields can also be entered if required.
- (2) Field Name: LCL
Entry Requirement: Enter the appropriate LESS THAN CARLOAD CODE, press F6 to process, or continue making changes.
Valid Entries: Valid entries can be obtained by positioning the cursor on the input field and pressing F1 for HELP. While in HELP a definition and a list of Valid Values will appear. Position the cursor next to the appropriate value and use the "sticky cursor" option. The selected value will be entered into the field automatically.
Results: The appropriate transaction will be sent to update the selected NIIN, if F6 is entered. The other fields can also be entered if required.
- (3) Field Name: RAIL VAR
Entry Requirement: Enter the appropriate RAIL VARIATION CODE, press F6 to process or continue making changes.
Valid Entries: Valid entries can be obtained by positioning the cursor on the input field and pressing F1 for HELP. While in HELP a definition and a list of Valid Values will appear. Position the cursor next to the appropriate value and use the "sticky cursor" option. The selected value will be entered into the field automatically.
Results: The appropriate transaction will be sent to update the selected NIIN, if F6 is entered. The other fields can also be entered if required.

- (4) **Field Name:** WATER CMDTY
Entry Requirement: Enter the appropriate WATER COMMODITY CODE, press F6 to process or continue making changes.
Valid Entries: Valid entries can be obtained by positioning the cursor on the input field and pressing F1 for HELP. While in HELP a definition and a list of Valid Values will appear. Position the cursor next to the appropriate value and use the “sticky cursor” option. The selected value will be entered into the field automatically.
Results: The appropriate transaction will be sent to update the selected NIIN, if F6 is entered. The other fields can also be entered if required.
- (5) **Field Name:** TYPE CGO
Entry Requirement: Enter the appropriate TYPE OF CARGO CODE, press F6 to process or continue making changes.
Valid Entries: Valid entries can be obtained by positioning the cursor on the input field and pressing F1 for HELP. While in HELP a definition and a list of Valid Values will appear. Position the cursor next to the appropriate value and use the “sticky cursor” option. The selected value will be entered into the field automatically.
Results: The appropriate transaction will be sent to update the selected NIIN, if F6 is entered. The other fields can also be entered if required.
- (6) **Field Name:** SPCL HDLG
Entry Requirement: Enter the appropriate SPECIAL HANDLING CODE, press F6 to process or continue making changes.
Valid Entries: Valid entries can be obtained by positioning the cursor on the input field and pressing F1 for HELP. While in HELP a definition and a list of Valid Values will appear. Position the cursor next to the appropriate value and use the “sticky cursor” option. The selected value will be entered into the field automatically.
Results: The appropriate transaction will be sent to update the selected NIIN, if F6 is entered. The other fields can also be entered if required.
- (7) **Field Name:** AIR DIM
Entry Requirement: Enter the appropriate AIR DIMENSION CODE, press F6 to process or continue making changes.

Valid Entries: Valid entries can be obtained by positioning the cursor on the input field and pressing F1 for HELP. While in HELP a definition and a list of Valid Values will appear. Position the cursor next to the appropriate value and use the “sticky cursor” option. The selected value will be entered into the field automatically.

Results: The appropriate transaction will be sent to update the selected NIIN, if F6 is entered. The other fields can also be entered if required.

- (8) Field Name: AIR CMDTY
Entry Requirement: Enter the appropriate AIR COMMODITY CODE, press F6 to process or continue making changes.
Valid Entries: To obtain a definition of this field press F1. No table values are available for this field.
Results: The transaction will be sent to update the selected NIIN, if F6 is entered. The other fields can also be entered if required.

- (9) Field Name: INTGTY CD
Entry Requirement: Enter the appropriate INTEGRITY CODE, press F6 to process or continue making changes.
Valid Entries: Valid entries can be obtained by positioning the cursor on the input field and pressing F1 for HELP. While in HELP a definition and a list of Valid Values will appear. Position the cursor next to the appropriate value and use the “sticky cursor” option. The selected value will be entered into the field automatically.
Results: The appropriate transaction will be sent to update the selected NIIN, if F6 is entered. The other fields can also be entered if required.

c. Available Function Keys. The following unique function keys may be used from the CHANGE FREIGHT DATA screen. All standardized FLIS function keys are available. Refer to Section [16.3.2.e](#) of this document.

- | | | |
|----|---------|---|
| F5 | Cancel | Cancels current search and returns to the LOLA Update Main Menu. |
| F6 | PROCESS | Validate the data input on the screen and forward the transaction for processing. |

A.92 LOLDDG - Delete Freight Data Screen

SCRNCD: LOLDDG
USERID: XXXXXXXX

L O L A U P D A T E
DELETE FREIGHT DATA

DATE: 03-OCT-00
TIME: 08:31

NSN 6150 012333333

HAZARDOUS MATERIAL CODE

LESS THAN CAR LOAD

RAIL VARIATION CODE

INTEGRITY CODE

<MSG 2394> FILE DATA NOT PRESENT FOR NIIN.

F1=HELP F2=CLEAR SCR F3=LOLA MENU F4=MAIN MENU F5=CANCEL F6=PROCESS
F7= F8= F9= F10= F11= F12=

a. Screen Explanation. This screen is used to delete Freight data on a particular NIIN.

b. Field Entry Requirements. The valid entries are described below.

- | | | |
|-----|--------------------|--|
| (1) | Field Name: | HAZARDOUS MATERIAL CODE |
| | Entry Requirement: | Enter an 'X' if you wish to delete this data; if not Tab to next field or F5. |
| | Valid Entries: | 'X'. |
| | Results: | The cursor will be positioned on the next field. |
| (2) | Field Name: | LESS THAN CARLOAD |
| | Entry Requirement: | Enter an 'X' if you wish to delete this data; if not, Tab to next field or F5. |
| | Valid Entries: | 'X'. |
| | Results: | The cursor will be placed on the next input field. |
| (3) | Field Name: | RAIL VARIATION CODE |
| | Entry Requirement: | Enter an 'X' if you wish to delete this data; if not, Tab to next field or F5. |
| | Valid Entries: | 'X'. |
| | Results: | The cursor will be placed on the next input field. |
| (4) | Field Name: | INTEGRITY CODE |
| | Entry Requirement: | Enter an 'X' if you wish to delete this data; if not, Tab to next field, F5, or F6. |
| | Valid Entries: | 'X'. |
| | Results: | The cursor will be positioned on the next input field, or press F6 to process the transaction. |

c. Available Function Keys. The following unique function keys may be used from the DELETE FREIGHT DATA screen. All standardized FLIS function keys are available. Refer to Section [16.3.2.e](#) of this document.

- | | | |
|----|---------|---|
| F5 | Cancel | Cancels current search and returns to the LOLA Update Main Menu. |
| F6 | PROCESS | Validate the data input on the screen and forward the transaction for processing. |

a. Screen Explanation. This screen is used to delete a MOE RULE data group. The User inputs the effective date, the Deletion Reason Code and the MOE RULE of the data they wish to delete and presses F6 to process.

b. Field Entry Requirements. Valid entries are described below.

- | | | |
|-----|--------------------|--|
| (1) | Field Name: | EFFECTIVE DATE |
| | Entry Requirement: | Enter the appropriate EFFECTIVE DATE. |
| | Valid Entries: | A valid Julian date (numeric 0-9). A definition of this field may be obtained by pressing F1. |
| | Results: | The cursor will be placed on the next input field. |
| (2) | Field Name: | DELETION REASON CODE |
| | Entry Requirement: | Enter a valid DELETION REASON CODE. |
| | Valid Entries: | Valid entries can be obtained by positioning the cursor on the input field and pressing F1 for HELP. While in HELP a definition and a list of Valid Values will appear. Position the cursor next to the appropriate value and use the “sticky cursor” option. The selected value will be entered into the field automatically. |
| | Results: | The cursor will be placed on the next input field. |
| (3) | Field Name: | MOE RULE |
| | Entry Requirement: | Enter a valid MOE RULE on the input NIIN. |
| | Valid Entries: | Valid entries can be obtained by positioning the cursor on the input field and pressing F1 for HELP. While in HELP a definition and a list of Valid Values will appear. Position the cursor next to the appropriate value and use the “sticky cursor” option. The selected value will be entered into the field automatically. |
| | Results: | Transaction is ready for processing, Press F6. |

c. Available Function Keys. The following unique function keys may be used from the DELETE MOE RULE DATA screen. All standardized FLIS function keys are available. Refer to Section [16.3.2.e](#) of this document.

- | | | |
|----|---------|---|
| F5 | Cancel | Cancels current search and returns to the LOLA Update Main Menu. |
| F6 | PROCESS | Validate the data input on the screen and forward the transaction for processing. |

a. Screen Explanation. This screen will create an LCD transaction for the Phrase Relationship Data Group. Enter the values that are to be changed and press F6 to process the transaction.

b. Field Entry Requirements. The valid entries are described below.

- | | | |
|-----|--------------------|--|
| (1) | Field Name: | EFFECTIVE DATE |
| | Entry Requirement: | No entry is required, data is forwarded from previous screen. |
| | Valid Entries: | N/A |
| | Results: | N/A |
| (2) | Field Name: | MOE/MAC CODE |
| | Entry Requirement: | Entry not required. User's MOE/MAC will be displayed. |
| | Valid Entries: | No Entry is required. |
| | Results: | N/A |
| (3) | Field Name: | PHRASE CD |
| | Entry Requirement: | Enter the appropriate PHRASE CODE. |
| | Valid Entries: | Valid entries can be obtained by positioning the cursor on the input field and pressing F1 for HELP. While in HELP a definition and a list of Valid Values will appear. Position the cursor next to the appropriate value and use the "sticky cursor" option. The selected value will be entered into the field automatically. |
| | Results: | The cursor will be placed on the next input field. |
| (4) | Field Name: | RELATED NSN |
| | Entry Requirement: | Enter the appropriate RELATED NSN. |
| | Valid Entries: | The appropriate RELATED NSN. The definition of this field can be obtained by pressing F1. |
| | Results: | The cursor will be placed on the next input field or press F6 to process the transaction. |
| (5) | Field Name: | FORMER NSN |
| | Entry Requirement: | Enter the appropriate FORMER NSN. |
| | Valid Entries: | The appropriate FORMER NSN. The definition of this field can be obtained by pressing F1. |
| | Results: | The cursor will be placed on the next input field or press F6 to process the transaction. |

c. Available Function Keys. The following unique function keys may be used from the CHANGE CMD DATA CHAIN (LCD) screen. All standardized FLIS function keys are available. Refer to Section [16.3.2.e](#) of this document.

F5	Cancel	Cancels current search and returns to the LOLA Update Main Menu.
F6	PROCESS	Validate the data input on the screen and forward the transaction for processing.

A.95 LOLCH5 - Change CMD Data Chain (LCD) Screen

SCRNCD: LOLCH5 L O L A U P D A T E DATE: 03-OCT-00
USERID: XXXXXX CATALOG MANAGEMENT DATA CHAIN 0218 TIME: 08:40

NSN: 6150 012333333

UNIT OF ISSUE CHANGE DATA:

EFFECTIVE DATE	00000
MOE/MAC CODE	DS
UNIT OF ISSUE	—
UNIT PRICE	_____
QUANTITY PER UNIT PACK	-
UI CONVERSION FACTOR	_____

<MSG 2578> ENTER DATA AND PRESS PF6 TO PROCESS

F1=HELP	F2=CLEAR	F3=LOLA MENU	F4=MAIN MENU	F5=CANCEL	F6=PROC SCREEN
F7=	F8=	F9=	F10=	F11=	F12=PROC TRANS

a. Screen Explanation. This screen will create LCD transactions for the Management Data Group. Enter values to be changed; press F6 process.

b. Field Entry Requirements. The valid entries are described below.

- | | | |
|-----|--------------------|--|
| (1) | Field Name: | EFFECTIVE DATE |
| | Entry Requirement: | No entry required, displayed from previous screen. |
| | Valid Entries: | N/A |
| | Results: | N/A |
| (2) | Field Name: | MOE/MAC CODE |
| | Entry Requirement: | Entry not required. User's MOE/MAC is displayed. |
| | Valid Entries: | No Entry is required. |
| | Results: | N/A |
| (3) | Field Name: | UNIT OF ISSUE |
| | Entry Requirement: | Enter the appropriate UNIT OF ISSUE. |
| | Valid Entries: | Valid entries can be obtained by positioning the cursor on the input field and pressing F1 for HELP. While in HELP a definition and a list of Valid Values will appear. Position the cursor next to the appropriate value and use the "sticky cursor" option. The selected value will be entered into the field automatically. |
| | Results: | The cursor will be placed on the next input field. |
| (4) | Field Name: | FORMER UNIT OF ISSUE |
| | Entry Requirement: | Enter the appropriate FORMER UNIT OF ISSUE. |
| | Valid Entries: | Valid entries can be obtained by positioning the cursor on the input field and pressing F1 for HELP. While in HELP a definition and a list of Valid Values will appear. Position the cursor next to the appropriate value and use the "sticky cursor" option. The selected value will be entered into the field automatically. |
| | Results: | The cursor will be placed in the next input field. |
| (5) | Field Name: | UNIT PRICE |
| | Entry Requirement: | Enter the appropriate UNIT PRICE. |
| | Valid Entries: | A valid UNIT PRICE. A definition of this field can be obtained by pressing F1. |
| | Results: | The cursor will be placed on the next input field. |
| (6) | Field Name: | QTY PER UNIT PACK |

Entry Requirement: Enter the appropriate QUANTITY PER UNIT PACK.
Valid Entries: A valid QUANTITY PER UNIT PACK. A definition of this field can be obtained by pressing F1.
Results: The cursor will be placed on the next input field.

(7) Field Name: UNIT OF ISSUE CONVERSION FACTOR
Entry Requirement: Enter the UNIT OF ISSUE CONVERSION FACTOR.
Valid Entries: A valid UNIT OF ISSUE CONVERSION FACTOR. A definition of this field can be obtained by pressing F1.
Results: The cursor will be placed on the next input field.

c. Available Function Keys. The following unique function keys may be used from the CHANGE CMD DATA CHAIN (LCD) screen. All standardized FLIS function keys are available. Refer to Section [16.3.2.e](#) of this document.

F5	Cancel	Cancels current search and returns to the LOLA Update Main Menu.
F6	PROCESS	Validate the data input on the screen and forward the transaction for processing.

a. Screen Explanation. This screen generates Data Element Deletion (LDD) transaction(s) for the selected sub groupings of the Management Data Group. If Service Related CMD Data is selected the appropriate Service Peculiar Data Screen will be displayed. The Delete I&S Jump To Relationship Grp can only be selected by itself, no other option will be available. Otherwise any or all of the remaining choices may be selected.

b. Field Entry Requirements. The valid entries are described below.

- | | | |
|-----|--------------------|--|
| (1) | Field Name: | MOE/MAC |
| | Entry Requirement: | The MOE Code is used when there is only one (1) "line" of CMD Data recorded for the Users Service. The MAC is used when multiple "lines" of CMD Data are recorded for the Users Service. |
| | Valid Entries: | Press F1 for help on the MOE Code; MS,SS. |
| | Results: | The cursor will move to the next input field. |
| | | |
| (2) | Field Name: | EFFECTIVE DATE |
| | Entry Requirement: | A valid Julian date for an Effective Dated Transaction or '00000' if you want the transaction to process now. |
| | Valid Entries: | The 5 position Julian date or 5 '0s'. |
| | Results: | The cursor will move to the next input field. |
| | | |
| (3) | Field Name: | DELETE SERVICE RELATED CMD DATA |
| | Entry Requirement: | Input an 'X' in the field and press F6 or continue making selections. |
| | Valid Entries: | 'X'. |
| | Results: | The cursor will move to the next input field. |
| | | |
| (4) | Field Name: | DELETE PHRASE RELATIONSHIP GROUP |
| | Entry Requirement: | Input an 'X' in the field and press F6 or continue making selections. |
| | Valid Entries: | 'X'. |
| | Results: | The cursor will move to the next input field. |
| | | |
| (5) | Field Name: | DELETE TECH DOC NUM OR DLA REPAIR CD |
| | Entry Requirement: | Input an 'X' in the field and press F6. |
| | Valid Entries: | 'X'. |
| | Results: | The cursor will move to the next input field. |
| | | |
| (6) | Field Name: | DELETE I&S JUMP TO RELATIONSHIP |
| | Entry Requirement: | Input an 'X' in the field and press F6 to process. |
| | Valid Entries: | 'X'. |

Results: The cursor will move to the next input field.

c. Available Function Keys. The following unique function keys may be used from the DELETE CATALOG MANAGEMENT DATA screen. All standardized FLIS function keys are available. Refer to Section [16.3.2.e](#) of this document.

F2	CLEAR SCREEN	Clears all input fields.
F5	Cancel	Cancels current search and returns to the LOLA Update Main Menu.
F6	PROCESS	Displays the next input screen or it will send the selected transaction to be processed by the Update Programs.

A.97 LOESEG - Standardization Data Screen

SCRNCD LOESEG L O L A U P D A T E DATE: 03-OCT-00
USERID: **XXXXXXXX** STANDARDIZATION DATA TIME: 07:44

NSN: 7035 012345555

ITEM STANDARDIZATION CODE 5
ORIGINATOR STANDARDIZATION DECISION 97
STANDARDIZATION DECISION DATE

<MSG 2436> ENTER CHANGE DATA AND PRESS PF6 TO PROCESS

F1=HELP F2=CLEAR SCR F3=LOLA MENU F4=MAIN MENU F5=CANCEL F6=PROC SCREEN
F7= F8= F9= F10= F11= F12=PROC TRANS

a. Screen Explanation. This screen creates an LCS or LCZ Standardization Data Change. If the Input NIIN was a REPLACED NIIN an LCS will be created. If the input NIIN is a REPLACEMENT NIIN an LCZ will be created.

b. Field Entry Requirements. The valid entries are described below.

- | | | |
|-----|--------------------|--|
| (1) | Field Name: | ITEM STANDARDIZATION CODE |
| | Entry Requirement: | Enter the appropriate ITEM STANDARDIZATION CODE. |
| | Valid Entries: | Valid entries can be obtained by positioning the cursor on the input field and pressing F1 for HELP. While in HELP a definition and a list of Valid Values will appear. Position the cursor next to the appropriate value and use the “sticky cursor” option. The selected value will be entered into the field automatically. |
| | Results: | The cursor will be placed on the next input field. |
| (2) | Field Name: | ORIGINATOR STANDARDIZATION DECISION |
| | Entry Requirement: | Enter the appropriate ACTIVITY CODE. |
| | Valid Entries: | Valid entries can be obtained by positioning the cursor on the input field and pressing F1 for HELP. While in HELP a definition and a list of Valid Values will appear. Position the cursor next to the appropriate value and use the “sticky cursor” option. The selected value will be entered into the field automatically. |
| | Results: | The cursor will be placed on the next input field. |
| (3) | Field Name: | STANDARDIZATION DECISION DATE |
| | Entry Requirement: | The Julian Date that the STANDARDIZATION DECISION was made. |
| | Valid Entries: | A valid Julian Date. |
| | Results: | The transaction is ready to be processed once all required input fields have been entered. |

c. Available Function Keys. The following unique function keys may be used from the STANDARDIZATION DATA screen. All standardized FLIS function keys are available. Refer to Section [16.3.2.e](#) of this document.

- | | | |
|-----|-------------|--|
| F5 | Cancel | Cancels current search and returns to the LOLA Update Main Menu. |
| F6 | PROC SCREEN | Validates the data input on the screen. |
| F12 | PROC TRANS | Forwards the transaction for processing. |

A.98 LOLDH4 - Data Element Screen

SCRNID: LOLDH4 L O L A U P D A T E DATE: 03-OCT-00
USERID: XXXXXXXX ADDING DATA ELEMENT TIME: 07:54

NSN: 6505 012344444 DLA REPARABLE CHAR CD

PHRASE RELATIONSHIP GROUP:

EFFECTIVE DATE 00000
MOE/MAC CODE DS
PHRASE-CD -
TECHNICAL DOC NBR _____

<MSG 2578> ENTER DATA AND PRESS PF6 TO PROCESS

F1=HELP F2=CLEAR F3=LOLA MENU F4=MAIN MENU F5=CANCEL F6=PROC SCREEN
F7= F8= F9= F10= F11= F12=PROC TRANS

a. Screen Explanation. This screen is used to add or delete Technical Document Numbers. Previous input determined the action to take effect.

b. Field Entry Requirements. The valid entries are described below.

- | | | |
|-----|--------------------|--|
| (1) | Field Name: | EFFECTIVE DATE |
| | Entry Requirement: | None Required. |
| | Valid Entries: | N/A |
| | Results: | N/A |
| (2) | Field Name: | MOE/MAC CODE |
| | Entry Requirement: | None Required. |
| | Valid Entries: | N/A |
| | Results: | N/A |
| (3) | Field Name: | PHRASE CODE |
| | Entry Requirement: | A valid PHRASE CODE. |
| | Valid Entries: | A valid PHRASE CODE for an add or the PHRASE CODE registered on the input NIIN, associated with the Technical Document Number that is to be deleted. |
| | Results: | The cursor will move to the next input field. |
| (4) | Field Name: | TECHNICAL DOCUMENT NUMBER |
| | Entry Requirement: | The TECHNICAL DOCUMENT NUMBER to be added or registered on the input NIIN that is to be deleted. |
| | Valid Entries: | The TECHNICAL DOCUMENT NUMBER must be registered on the input NIIN for delete transactions. |
| | Results: | The transaction is ready to be processed. |

c. Available Function Keys. The following unique function keys may be used from this screen. All standardized FLIS function keys are available. Refer to Section [16.3.2.e](#) of this document.

- | | | |
|----|---------|--|
| F5 | Cancel | Cancels current search and returns to the LOLA Update Main Menu. |
| F6 | PROCESS | Validate the data input on the screen and send the user to the next input screen/menu. |

A.99 LOLSGH - Catalog Management Data Screen

SCRNCD: LOLSGH L O L A U P D A T E DATE: 03-OCT-00
USERID: XXXXXXX C A T A L O G M A N A G E M E N T D A T A TIME: 07:32

NSN: 5310

DATE EFFECTIVE	*****
MOE/MAC CODE	—
ACQUISITION ADVICE CODE	—
SOURCE OF SUPPLY/SOSM CD	—
UNIT OF ISSUE CD	—
UNIT OF ISSUE CONVERSION FACTOR	*****
UNIT PRICE	—————
QUANTITY PER UNIT PACK	—
CONTROLLED INVENTORY ITEM CODE	—
SHELF LIFE CODE	—
DLA REPARABLE CHARACTERISTICS INDICATOR CODE	—
SERVICE CODE	

<MSG 3032> ENTER NEW DATA AND PRESS PF6 TO PROCESS

F1=HELP F2=CLEAR SCR F3=LOLA MENU F4=MAIN MENU F5=CANCEL F6=PROC SCREEN
F7=PAGE UP F8=PAGE DOWN F9=FILE DATA F10= F11=BYPASS F12=PROC TRANS

a. Screen Explanation. This screen is used to create transactions to add (LAM), change (LCM), or delete (LDM) data from the Catalog Management Data group. It is also used to input data for NIIN Assignment and Reinstatements (LN_) (LB_) transactions. Enter data into appropriate fields. Prompts and messages will indicate which field are required. (An '*' indicates data not available for field).

b. Field Entry Requirements. The valid entries are described below.

- | | | |
|-----|---|---|
| (1) | Field Name:
Entry Requirement:
Valid Entries:

Results: | EFFECTIVE DATE
Enter the appropriate EFFECTIVE DATE
Enter a Julian date that is equal to or greater than todays date. A definition of this field can be obtained by pressing F1.
The cursor will be placed on the next input field. |
| (2) | Field Name:
Entry Requirement:
Valid Entries:

Results: | MOE/MAC CODE
Enter the appropriate MOE/MAC code.
Valid entries can be obtained by positioning the cursor on the input field and pressing F1 for HELP. While in HELP a definition and a list of Valid Values will appear. Position the cursor next to the appropriate value and use the "sticky cursor" option. The selected value will be entered into the field automatically. MAC codes values are MS/SS.
The cursor will be placed on the next input field. |
| (3) | Field Name:
Entry Requirement:
Valid Entries:

Results: | ACQUISITION ADVICE CODE
Enter the appropriate ACQUISITION ADVICE CODE
Valid entries can be obtained by positioning the cursor on the input field and pressing F1 for HELP. While in HELP a definition and a list of Valid Values will appear. Position the cursor next to the appropriate value and use the "sticky cursor" option. The selected value will be entered into the field automatically.
The cursor will be placed on the next input field. |
| (4) | Field Name:
Entry Requirement: | SOURCE OF SUPPLY/SOSM CD
Enter the appropriate SOURCE OF SUPPLY or SOURCE OF SUPPLY MODIFIER CODE |

Valid Entries: For the SOURCE OF SUPPLY CODE valid entries can be obtained by positioning the cursor on the input field and pressing F1 for HELP. While in HELP a definition and a list of Valid Values will appear. Position the cursor next to the appropriate value and use the “sticky cursor” option. The selected value will be entered into the field automatically. There will be no HELP available for the SOURCE OF SUPPLY MODIFIER.

Results: The cursor will be placed on the next input field.

(5) **Field Name:** UNIT OF ISSUE CD
Entry Requirement: Enter the appropriate UNIT OF ISSUE CODE
Valid Entries: Valid entries can be obtained by positioning the cursor on the input field and pressing F1 for HELP. While in HELP a definition and a list of Valid Values will appear. Position the cursor next to the appropriate value and use the “sticky cursor” option. The selected value will be entered into the field automatically.

Results: The cursor will be placed on the next input field.

(6) **Field Name:** UNIT OF ISSUE CONVERSION FACTOR
Entry Requirement: Enter a valid UNIT OF ISSUE CONVERSION FACTOR
Valid Entries: A definition of this field can be obtained by pressing F1 (no table values will be displayed).

Results: The cursor will move to next input field.

(7) **Field Name:** UNIT PRICE
Entry Requirement: Enter the appropriate DOLLAR VALUE UNIT PRICE
Valid Entries: A definition of this field can be obtained by pressing F1 (no table values will be displayed).

Results: The cursor will move to the next input field.

(8) **Field Name:** QUANTITY PER UNIT PACK (QUP)
Entry Requirement: Enter the appropriate QUANTITY UNIT PACK (QUP).
Valid Entries: Valid entries can be obtained by positioning the cursor on the input field and pressing F1 for HELP. While in HELP a definition and a list of Valid Values will appear. Position the cursor next to the appropriate value and use the “sticky cursor” option. The selected value will be entered into the field automatically.

Results: The cursor will move to the next input field.

- (9) Field Name: CONTROLLED INVENTORY ITEM CODE
Entry Requirement: Enter a valid CONTROLLED INVENTORY ITEM CODE.
Valid Entries: Valid entries can be obtained by positioning the cursor on the input field and pressing F1 for HELP. While in HELP a definition and a list of Valid Values will appear. Position the cursor next to the appropriate value and use the “sticky cursor” option. The selected value will be entered into the field automatically.
Results: The cursor will move to the next input field.
- (10) Field Name: SHELF LIFE CODE
Entry Requirement: Enter the appropriate SHELF LIFE CODE.
Valid Entries: Valid entries can be obtained by positioning the cursor on the input field and pressing F1 for HELP. While in HELP a definition and a list of Valid Values will appear. Position the cursor next to the appropriate value and use the “sticky cursor” option. The selected value will be entered into the field automatically.
Results: The cursor will move to the next input field.
- (11) Field Name: DLA REPARABLE CHARACTERISTICS INDICATOR CODE
Entry Requirement: Enter the appropriate DLA REPARABLE CHARACTERISTICS INDICATOR CODE.
Valid Entries: Valid entries can be obtained by positioning the cursor on the input field and pressing F1 for HELP. While in HELP a definition and a list of Valid Values will appear. Position the cursor next to the appropriate value and use the “sticky cursor” option. The selected value will be entered into the field automatically.
Results: The cursor will be positioned on the first input field. Press F6 to process the screen.

c. Available Function Keys. The following unique function keys may be used from the CATALOG MANAGEMENT DATA screen. All standardized FLIS function keys are available. Refer to Section [16.3.2.e](#) of this document.

- | | | |
|----|-------------|---|
| F5 | Cancel | Cancels current search and returns to the LOLA Update Main Menu. |
| F6 | PROC SCREEN | Validate the data input on the screen; this key must be used prior to submitting the transaction. |

F11 BYPASS

This key allows activities not required to input Catalog Management Data to 'bypass' this screen.

F12 PROC TRANS

This key creates the transaction and sends the user to the next input screen or menu.

A.100 LOARMY - Army Management Data Screen

SCRNCD: LOARMY L O L A U P D A T E DATE: 03-OCT-00
USERID: **XXXXXX** ARMY MANAGEMENT DATA TIME: 08:02

NSN 6150 012333333 EFFECTIVE DATE 00000
MOE / MAC SS

RECOVERABILITY CODE -

MATERIEL CATEGORY CODE _____

ACCOUNTING REQUIREMENTS CODE -

<MSG 2578> ENTER DATA AND PRESS PF6 TO PROCESS

F1=HELP F2=CLEAR SCR F3=LOLA MENU F4=MAIN MENU F5=CANCEL F6=PROC SCREEN
F7= F8= F9= F10= F11= F12=PROC TRANS

a. Screen Explanation. This screen is used to create transactions to ADD, CHANGE or DELETE data elements or the entire data group from the Army peculiar Catalog Management Data. It is also used for NIIN Assignments and Reinstatements. Screen prompts and messages will indicate if the field is required. If no data is entered do not use F6; use F12 only. If any data is entered, use F6 and F12 in that order. When reprocessing/correcting a transaction and a change is made in the Basic Catalog Management Data, all data on the service peculiar screen will be removed and must be re-input.

b. Field Entry Requirements. The valid entries are described below.

- (1) Field Name: RECOVERABILITY CODE
Entry Requirement: Enter the appropriate RECOVERABILITY CODE
Valid Entries: Valid entries can be obtained by positioning the cursor on the input field and pressing F1 for HELP. While in HELP a definition and a list of Valid Values will appear. Position the cursor next to the appropriate value and use the “sticky cursor” option. The selected value will be entered into the field automatically.
Results: The cursor will be positioned on the next input field or press F6 to process screen.
- (2) Field Name: MATERIAL CATEGORY CODE
Entry Requirement: Enter the appropriate MATERIEL CATEGORY CODE
Valid Entries: A definition of this field can be obtained by pressing F1 (no table values will be displayed).
Results: The cursor will be positioned on the next input field or press F6 to process screen.
- (3) Field Name: ACCOUNTING REQUIREMENTS CODE
Entry Requirement: Enter a valid ACCOUNTING REQUIREMENTS CODE
Valid Entries: Valid entries can be obtained by positioning the cursor on the input field and pressing F1 for HELP. While in HELP a definition and a list of Valid Values will appear. Position the cursor next to the appropriate value and use the “sticky cursor” option. The selected value will be entered into the field automatically.
Results: The cursor will be positioned on the first input field; or press F6 to process screen, then F12 to process transaction.

c. Available Function Keys. The following unique function keys may be used from the ARMY MANAGEMENT DATA screen. All standardized FLIS function keys are available. Refer to Section [16.3.2.e](#) of this document.

F5	Cancel	Cancels current search and returns to the LOLA Update Main Menu.
F6	PROC SCREEN	Validate the data input on the screen; this key must be used prior to submitting the transaction.
F12	PROC TRANS	This will create the transaction and send the user to the next input screen/menu. It is also used to bypass the screen, if no data is entered.

A.101 LOCSGD - Coast Guard Management Data Screen

SCRNCD: LOCSGD L O L A U P D A T E DATE: 03-OCT-00
USERID: **XXXXXXXX** COAST GUARD MANAGEMENT DATA TIME: 08:03

NSN: 6150 012333333 EFFECTIVE DATE 00000
MOE / MAC SS

REPARABILITY CODE -
INVENTORY ACCOUNT CODE -
SERIAL NUMBER CONTROL CODE -
SPECIAL MATERIAL CONTENT CODE -

<MSG 2578> ENTER DATA AND PRESS PF6 TO PROCESS

F1=HELP F2=CLEAR SCR F3=LOLA MENU F4=MAIN MENU F5=CANCEL F6=PROC SCREEN
F7= F8= F9= F10= F11= F12=PROC TRANS

a. **Screen Explanation.** This screen is used to create Add, Change and Delete transactions for data elements and data groups for Coast Guard peculiar Catalog Management Data. It is also used with NIIN Assignments and Reinstatements. Enter data into the displayed fields, if appropriate. Screen prompts and messages will indicate required fields. If data is entered, you must use F6 then F12 in that order; if no data is entered, use F12 only. When reprocessing/correcting a transaction and a change is made in the Basic Catalog Management Data, all data on the service peculiar screen will be removed and must be re-input.

b. **Field Entry Requirements.** The valid entries are described below.

- | | | |
|-----|---|---|
| (1) | Field Name:
Entry Requirement:
Valid Entries:

Results: | REPARABILITY CODE
Enter the appropriate REPARABILITY CODE
Valid entries can be obtained by positioning the cursor on the input field and pressing F1 for HELP. While in HELP a definition and a list of Valid Values will appear. Position the cursor next to the appropriate value and use the “sticky cursor” option. The selected value will be entered into the field automatically.
The cursor will move to the next input field. |
| (2) | Field Name:
Entry Requirement:
Valid Entries:

Results: | INVENTORY ACCOUNT CODE
Enter the appropriate INVENTORY ACCOUNT CODE
Valid entries can be obtained by positioning the cursor on the input field and pressing F1 for HELP. While in HELP a definition and a list of Valid Values will appear. Position the cursor next to the appropriate value and use the “sticky cursor” option. The selected value will be entered into the field automatically.
The cursor will move to the next input field. |
| (3) | Field Name:
Entry Requirement:
Valid Entries:

Results: | SERIAL NUMBER CONTROL CODE
Enter a valid SERIAL NUMBER CONTROL CODE
Valid entries can be obtained by positioning the cursor on the input field and pressing F1 for HELP. While in HELP a definition and a list of Valid Values will appear. Position the cursor next to the appropriate value and use the “sticky cursor” option. The selected value will be entered into the field automatically.
The cursor will move to the next input field. |
| (4) | Field Name: | SPECIAL MATERIAL CONTENT CODE |

Entry Requirement:	Enter the appropriate SPECIAL MATERIAL CONTENT CODE
Valid Entries:	Valid entries can be obtained by positioning the cursor on the input field and pressing F1 for HELP. While in HELP a definition and a list of Valid Values will appear. Position the cursor next to the appropriate value and use the “sticky cursor” option. The selected value will be entered into the field automatically.
Results:	The cursor will move to the next input field.

c. Available Function Keys. The following unique function keys may be used from the COAST GUARD MANAGEMENT DATA screen. All standardized FLIS function keys are available. Refer to Section [16.3.2.e](#) of this document.

F5 Cancel	Cancels current search and returns to the LOLA Update Main Menu.
F6 PROC SCREEN	Validate the data input on the screen; this key must be used prior to submitting the transaction.
F12 PROC TRANS	This will create the transaction and send the user to the next input screen/menu, also used to bypass the screen, if no data is entered.

A.102 LOARFC - Air Force Management Data Screen

SCRNCD: LOARFC L O L A U P D A T E DATE: 03-OCT-00
USERID: **XXXXXXXX** AIR FORCE MANAGEMENT DATA TIME: 07:56

NSN 6505 012344444 EFFECTIVE DATE 00000
MOE / MAC SS

EXPENDABILITY RECOVERABILITY REPARABILITY CATEGORY CODE -

FUND CODE -

BUDGET CODE - MANAGEMENT DATA LIST -

MATERIEL MANAGEMENT AGGREGATION CODE -

PRICE VALIDATION CD -

<MSG 2578> ENTER DATA AND PRESS PF6 TO PROCESS

F1=HELP F2=CLEAR SCR F3=LOLA MENU F4=MAIN MENU F5=CANCEL F6=PROC SCREEN
F7= F8= F9= F10= F11= F12=PROC TRANS

a. **Screen Explanation.** This screen is used to create Add, Change and Delete transactions for data elements and data groups for Air Force peculiar Catalog Management Data. It is also used with NIIN Assignments and Reinstatements. Enter data into the displayed fields, if appropriate. Screen prompts and messages will indicate required fields. If data is entered you must use F6 then F12 in that order: If no data is entered use F12 only. When reprocessing/correcting a transaction and a change is made in the Basic Catalog Management Data, all data on the service peculiar screen will be removed and must be re-input.

b. **Field Entry Requirements.** The valid entries are described below.

- (1) **Field Name:** EXPENDABILITY RECOVERABILITY REPARABILITY CATEGORY CODE
Entry Requirement: Enter the appropriate ERRC CODE.
Valid Entries: Valid entries can be obtained by positioning the cursor on the input field and pressing F1 for HELP. While in HELP a definition and a list of Valid Values will appear. Position the cursor next to the appropriate value and use the “sticky cursor” option. The selected value will be entered into the field automatically.
Results: The cursor will move to the next input field.
- (2) **Field Name:** FUND CODE
Entry Requirement: Enter the appropriate FUND CODE.
Valid Entries: Valid entries can be obtained by positioning the cursor on the input field and pressing F1 for HELP. While in HELP a definition and a list of Valid Values will appear. Position the cursor next to the appropriate value and use the “sticky cursor” option. The selected value will be entered into the field automatically.
Results: The cursor will move to the next input field.
- (3) **Field Name:** BUDGET CODE - MANAGEMENT DATA LIST
Entry Requirement: Enter the appropriate BUDGET CODE MDL.
Valid Entries: Valid entries can be obtained by positioning the cursor on the input field and pressing F1 for HELP. While in HELP a definition and a list of Valid Values will appear. Position the cursor next to the appropriate value and use the “sticky cursor” option. The selected value will be entered into the field automatically.
Results: The cursor will move to the next input field.
- (4) **Field Name:** MATERIEL MANAGEMENT AGGREGATION CODE

Entry Requirement: Enter the appropriate MATERIEL MANAGEMENT AGGREGATION CODE.

Valid Entries: Valid entries can be obtained by positioning the cursor on the input field and pressing F1 for HELP. While in HELP a definition and a list of Valid Values will appear. Position the cursor next to the appropriate value and use the “sticky cursor” option. The selected value will be entered into the field automatically.

Results: The cursor will move to the next input field.

(5) Field Name: PRICE VALIDATION CODE

Entry Requirement: Enter the appropriate PRICE VALIDATION CODE.

Valid Entries: Valid entries can be obtained by positioning the cursor on the input field and pressing F1 for HELP. While in HELP a definition and a list of Valid Values will appear. Position the cursor next to the appropriate value and use the “sticky cursor” option. The selected value will be entered into the field automatically.

Results: The cursor will move to the first input field.

c. Available Function Keys. The following unique function keys may be used from the AIR FORCE MANAGEMENT DATA screen. All standardized FLIS function keys are available. Refer to Section [16.3.2.e](#) of this document.

F5	CANCEL	Cancels the current transaction and returns to the LOLA Update Main Menu.
F6	PROC SCREEN	Validate the data input on the screen. This key must be used prior to submitting the transaction.
F12	PROC TRANS	This will create the transaction and send the user to the next input screen/menu, or is used to bypass the screen when no data is input.

a. **Screen Explanation.** This screen is used to create Add, Change and Delete transactions for data elements and data groups for Marine Corps peculiar Catalog Management Data. It is also used with NIIN Assignments and Reinstatements. Enter data into the displayed fields, if appropriate. Screen prompts and messages will indicate required fields. If data is entered you must use F6 then F12 in that order; If no data is entered use F12 only. When reprocessing/correcting a transaction and a change is made in the Basic Catalog Management Data, all data on the service peculiar screen will be removed and must be re-input.

b. **Field Entry Requirements.** The valid entries are described below.

- | | | |
|-----|--------------------|--|
| (1) | Field Name: | RECOVERABILITY CODE |
| | Entry Requirement: | Enter the appropriate RECOVERABILITY CODE. |
| | Valid Entries: | Valid entries can be obtained by positioning the cursor on the input field and pressing F1 for HELP. While in HELP a definition and a list of Valid Values will appear. Position the cursor next to the appropriate value and use the “sticky cursor” option. The selected value will be entered into the field automatically. |
| | Results: | The cursor will move to the next input field. |
| | | |
| (2) | Field Name: | STORES ACCOUNT CODE |
| | Entry Requirement: | Enter the appropriate STORES ACCOUNT CODE. |
| | Valid Entries: | Valid entries can be obtained by positioning the cursor on the input field and pressing F1 for HELP. While in HELP a definition and a list of Valid Values will appear. Position the cursor next to the appropriate value and use the “sticky cursor” option. The selected value will be entered into the field automatically. |
| | Results: | The cursor will move to the next input field. |
| | | |
| (3) | Field Name: | COMBAT ESSENTIALITY CODE |
| | Entry Requirement: | Enter the appropriate COMBAT ESSENTIALITY CODE. |
| | Valid Entries: | Valid entries can be obtained by positioning the cursor on the input field and pressing F1 for HELP. While in HELP a definition and a list of Valid Values will appear. Position the cursor next to the appropriate value and use the “sticky cursor” option. The selected value will be entered into the field automatically. |
| | Results: | The cursor will move to the next input field. |
| | | |
| (4) | Field Name: | MANAGEMENT ECHELON CODE |

Entry Requirement: Enter the appropriate MANAGEMENT ECHELON CODE.

Valid Entries: Valid entries can be obtained by positioning the cursor on the input field and pressing F1 for HELP. While in HELP a definition and a list of Valid Values will appear. Position the cursor next to the appropriate value and use the “sticky cursor” option. The selected value will be entered into the field automatically.

Results: The cursor will move to the next input field.

(5) Field Name: MATERIEL IDENTIFICATION CODE

Entry Requirement: Enter a valid MATERIEL IDENTIFICATION CODE.

Valid Entries: Valid entries can be obtained by positioning the cursor on the input field and pressing F1 for HELP. While in HELP a definition and a list of Valid Values will appear. Position the cursor next to the appropriate value and use the “sticky cursor” option. The selected value will be entered into the field automatically.

Results: The cursor will move to the next input field.

(6) Field Name: OPERATIONAL TEST CODE

Entry Requirement: Enter the appropriate OPERATIONAL TEST CODE.

Valid Entries: Valid entries can be obtained by positioning the cursor on the input field and pressing F1 for HELP. While in HELP a definition and a list of Valid Values will appear. Position the cursor next to the appropriate value and use the “sticky cursor” option. The selected value will be entered into the field automatically.

Results: The cursor will move to the next input field.

(7) Field Name: PHYSICAL CATEGORY CODE

Entry Requirement: Enter the appropriate PHYSICAL CATEGORY CODE.

Valid Entries: Valid entries can be obtained by positioning the cursor on the input field and pressing F1 for HELP. While in HELP a definition and a list of Valid Values will appear. Position the cursor next to the appropriate value and use the “sticky cursor” option. The selected value will be entered into the field automatically.

Results: The cursor will move to the next input field.

c. Available Function Keys. The following unique function keys may be used from the MARINE CORPS MANAGEMENT DATA screen. All standardized FLIS function keys are available. Refer to Section [16.3.2.e](#) of this document.

F5	CANCEL	Cancels the current transaction and returns to the LOLA Update Main Menu.
F6	PROC SCREEN	Validate the data input on the screen. This key must be used prior to submitting the transaction.
F12	PROC TRANS	This will create the transaction and send the user to the next input screen/menu, or is also used to bypass the screen when no data is input.

A.104 LONAVY - Navy Management Data Screen

SCRNCD: LONAVY L O L A U P D A T E DATE: 03-OCT-00
USERID: XXXXXXX NAVY MANAGEMENT DATA TIME: 07:59

NSN 6150 012333333 EFFECTIVE DATE 00000
MOE / MAC SS

MATERIAL CONTROL CODE -
COGNIZANCE CODE -
SPECIAL MATERIAL IDENTIFICATION CODE -
ISSUE REPAIR REQUISITIONING RESTRICTION CODE -
SPECIAL MATERIAL CONTENT CODE -

<MSG 2578> ENTER DATA AND PRESS PF6 TO PROCESS

F1=HELP F2=CLEAR SCR F3=LOLA MENU F4=MAIN MENU F5=CANCEL F6=PROC SCREEN
F7= F8= F9= F10= F11= F12=PROC TRANS

a. **Screen Explanation.** This screen is used to create Add, Change and Delete transactions for data elements and data groups for Navy peculiar Catalog Management Data. It is also used with NIIN Assignments and Reinstatements. Enter data into the displayed fields, if appropriate. Screen prompts and messages will indicate required fields. If data is entered, you must use F6 then F12 in that order; if no data is entered, use F12 only. When reprocessing/correcting a transaction and a change is made in the Basic Catalog Management Data, all data on the service peculiar screen will be removed and must be re-input.

b. **Field Entry Requirements.** The valid entries are described below.

- | | | |
|-----|---|---|
| (1) | Field Name:
Entry Requirement:
Valid Entries:

Results: | MATERIAL CONTROL CODE
Enter the appropriate MATERIAL CONTROL CODE.
Valid entries can be obtained by positioning the cursor on the input field and pressing F1 for HELP. While in HELP a definition and a list of Valid Values will appear. Position the cursor next to the appropriate value and use the “sticky cursor” option. The selected value will be entered into the field automatically.
The cursor will move to the next input field. |
| (2) | Field Name:
Entry Requirement:
Valid Entries:

Results: | COGNIZANCE CODE
Enter the appropriate COGNIZANCE CODE.
Valid entries can be obtained by positioning the cursor on the input field and pressing F1 for HELP. While in HELP a definition and a list of Valid Values will appear. Position the cursor next to the appropriate value and use the “sticky cursor” option. The selected value will be entered into the field automatically.
The cursor will move to the next input field. |
| (3) | Field Name:
Entry Requirement:
Valid Entries:

Results: | SPECIAL MATERIAL IDENTIFICATION CODE
Enter the SPECIAL MATERIAL IDENTIFICATION.
Valid entries can be obtained by positioning the cursor on the input field and pressing F1 for HELP. While in HELP a definition and a list of Valid Values will appear. Position the cursor next to the appropriate value and use the “sticky cursor” option. The selected value will be entered into the field automatically.
The cursor will move to the next input field. |
| (4) | Field Name: | ISSUE REPAIR REQUISITIONING RESTRICTION
CODE |

Entry Requirement: Enter the appropriate ISSUE REPAIR REQUISITIONING RESTRICTION CODE.

Valid Entries: Valid entries can be obtained by positioning the cursor on the input field and pressing F1 for HELP. While in HELP a definition and a list of Valid Values will appear. Position the cursor next to the appropriate value and use the “sticky cursor” option. The selected value will be entered into the field automatically.

Results: The cursor will move to the next input field.

(5) Field Name: SPECIAL MATERIEL CONTENT CODE

Entry Requirement: Enter a valid SPECIAL MATERIEL CONTENT CODE.

Valid Entries: Valid entries can be obtained by positioning the cursor on the input field and pressing F1 for HELP. While in HELP a definition and a list of Valid Values will appear. Position the cursor next to the appropriate value and use the “sticky cursor” option. The selected value will be entered into the field automatically.

Results: The cursor will move to the next input field.

c. Available Function Keys. The following unique function keys may be used from the NAVY MANAGEMENT DATA screen. All standardized FLIS function keys are available. Refer to Section [16.3.2.e](#) of this document.

F5 CANCEL Cancels the current transaction and returns to the LOLA Update Main Menu.

F6 PROC SCREEN Validate the data input on the screen. This key must be used prior to submitting the transaction.

F12 PROC TRANS This will create the transaction and send the user to the next input screen/menu, also used to bypass the screen when no data is entered.

a. Screen Explanation. This screen will allow the User to “fix” a transaction that did not pass the internal MIOS edits. TAG the row that contains the transaction that is to be fixed. You may only “TAG” rejects. Press F6 to begin reprocessing the transaction.

b. Field Entry Requirements. The valid entries are described below.

- | | | |
|-----|--------------------|--|
| (1) | Field Name: | TAG |
| | Entry Requirement: | Place an 'X' on the appropriate row. |
| | Valid Entries: | X |
| | Results: | Press F6 to begin correcting this transaction. |
| (2) | Field Name: | TRANSACTION KEY |
| | Entry Requirement: | N/A |
| | Valid Entries: | N/A |
| | Results: | N/A |
| (3) | Field Name: | DOCUMENT CONTROL # |
| | Entry Requirement: | N/A |
| | Valid Entries: | N/A |
| | Results: | N/A |
| (4) | Field Name: | DIC |
| | Entry Requirement: | N/A |
| | Valid Entries: | N/A |
| | Results: | N/A |
| (5) | Field Name: | DRN |
| | Entry Requirement: | N/A |
| | Valid Entries: | N/A |
| | Results: | N/A |
| (6) | Field Name: | RETURN CODE |
| | Entry Requirement: | N/A |
| | Valid Entries: | N/A |
| | Results: | N/A |
| (7) | Field Name: | FSC |
| | Entry Requirement: | N/A |
| | Valid Entries: | N/A |
| | Results: | N/A |

(8) Field Name:	NIIN
Entry Requirement:	N/A
Valid Entries:	N/A
Results:	N/A

c. Available Function Keys. The following unique function keys may be used from the TRANSACTIONS COMPLETED LIST screen. All standardized FLIS function keys are available. Refer to Section [16.3.2.e](#) of this document.

F5	CANCEL	Cancels the current transaction and returns to the LOLA Update Main Menu.
F6	PROCESS	Validate the data input on the screen. This key must be used prior to submitting the transaction.

A.106 LOPHRS - Phrase Data Screen

SCRNCD: LOPHRS
USERID: XXXXXXXX

L O L A U P D A T E
P H R A S E D A T A

DATE: 03-OCT-00
TIME: 07:33

NSN: 5310				0			
DLT PHRS	PHRASE DATA	JTC	OOU	DLT PHRS	PHRASE DATA	JTC	OOU
		QPA	U/M			QPA	U/M
-	- _____	---	---	-	- _____	---	---
-	- _____	---	---	-	- _____	---	---
-	- _____	---	---	-	- _____	---	---
-	- _____	---	---	-	- _____	---	---
-	- _____	---	---	-	- _____	---	---
-	- _____	---	---	-	- _____	---	---
-	- _____	---	---	-	- _____	---	---
-	- _____	---	---	-	- _____	---	---
-	- _____	---	---	-	- _____	---	---
-	- _____	---	---	-	- _____	---	---
-	- _____	---	---	-	- _____	---	---
-	- _____	---	---	-	- _____	---	---
-	- _____	---	---	-	- _____	---	---
-	- _____	---	---	-	- _____	---	---

<MSG 2462> ADD VALUES AND PRESS PF6 TO PROCESS

F1=HELP F2=CLEAR F3=LOLA MENU F4=MAIN MENU F5=CANCEL F6=PROC SCREEN
F7=PREV PHRASE DATA F8=NEXT PHRASE DATA F9=DLT PHRSE CODE F12=PROC TRANS

a. Screen Explanation. Current DLIS Phrase DATA of the NSN will be Displayed. This screen will generate up to 25 phrase codes on a single NSN. Enter the data into the required fields and press F6 again. If more then 25 Phrase codes are required press F8 (next Phrase) and repeat this procedure (up to 2 times). Once all of the phrase transactions are entered press F12 to process the transaction(s). If you want to delete a Phrase Code and associated data that was previously input tag DLT field with a X and then press F9. (NOTE: F2 only clears the screen, it will not delete the data from the transaction, you must use F9-PHRASE CODE.

b. Field Entry Requirements. The valid entries are described below.

- (1) Field Name: DLT
Entry Requirement: Enter a X in field and press F9 to process the screen.
Valid Entries: Valid entries can be obtained by positioning the cursor on the input field and pressing F1 for HELP. While in HELP a definition and a list of Valid Values will appear.
Results: The input fields that are related to the input Phrase Code will be highlighted and the cursor will be positioned on the first Highlighted field.
- (2) Field Name: PHRS PHRASE CODE
Entry Requirement: Enter the appropriate PHRASE CODE's and press F6 to process the screen.
Valid Entries: See DoD 4100.39M Vol. 10 Table 52 Valid Input of Phrase Codes. For Help press F1 and definition of Phrase Codes will appear. If blank all Phrase Codes will appear and if filled only single phrase code will be displayed.
Results: After entering F6, if F12 is used the transaction will be created. If F8 is entered, the next blank 25 phrase codes screen will be displayed
- (3) Field Name: PHRASE DATA
Entry Requirement: Enter the appropriate Related phrase Data and press F6 to process the screen.
Valid Entries: A valid PHRASE DATA is required.
Results: After entering F6, if F12 is used the transaction will be created. If F8 is entered, after entering F6, the input fields will be cleared and another Phrase transaction can be created (up to 50 times).
- (4) Field Name: QUANTITY PER ASSEMBLY(QPA) JUMP TO CODE (JTC)

- Entry Requirement: Enter the appropriate Quantity Per Assembly and press F6 to process the screen.
- Valid Entries: A valid Quantity Per Assembly or JTC if required.
- Results: After entering F6, if F12 is used the transaction will be created. If F8 is entered, after entering F6, the input fields will be cleared and another Phrase transaction can be created (up to 50 times).
- (5) Field Name: ORDER OF USE and UNIT OF MEASURE U/M.
- Entry Requirement: Enter the appropriate Order Of Use and press F6 to process the screen.
- Valid Entries: A valid Order Of Use required.
- Results: After entering F6, if F12 is used the transaction will be created. If F8 is entered, after entering F6, the input fields will be cleared and another Phrase transaction can be created (up to 50 times).
- (6) Field Name: JUMP TO CODE
- Entry Requirement: Enter the appropriate Jump To Code and press F6 to process the screen.
- Valid Entries: A valid Jump To Code is required.
- Results: After entering F6, if F12 is used the transaction will be created. If F8 is entered, after entering F6, the input fields will be cleared and another Phrase transaction can be created (up to 50 times).
- (7) Field Name: UNIT OF MEASURE
- Entry Requirement: Enter the appropriate Unit Of Measure and press F6 to process the screen.
- Valid Entries: A valid Unit Of Measure is required.
- Results: After entering F6, if F12 is used the transaction will be created. If F8 is entered, after entering F6, the input fields will be cleared and another Phrase transaction can be created (up to 50 times).

c. Available Function Keys. The following unique function keys may be used from the PHRASE DATA screen. All standardized FLIS function keys are available. Refer to Section [16.3.2.e](#) of this document.

F5 CANCEL Cancels the current transaction and returns to the LOLA Update Main Menu.

F6	PROC SCREEN	Validate the data input on the screen. This key must be used prior to submitting the transaction.
F7	PREV PHRASE	Displays the first Phrase Transaction for this session if the Phrase screen is blank. If data has been entered, the previous input Phrase transaction for this session will be displayed.
F8	NEXT PHRASE	Clears the input fields and allows another phrase transaction to be created unless you were paging up (F7) in which case it takes you to the next record.
F9	DEL PHRASE	Deletes the specific Phrase Transaction shown on the screen and displays the next Phrase transaction entered for this session, unless it was the last transaction in which case it will display a blank screen.
F12	PROC TRANS	This will create the transaction and send the user to the next input screen/menu; or bypass this screen if no data is input.

a. Screen Explanation. This screen is used to add or delete data. The only entries are the Related NSN and Jump To Code. All other data fields will be filled in with previous input values.

b. Field Entry Requirements. The valid entries are described below.

- | | | |
|-----|--------------------|--|
| (1) | Field Name: | EFFECTIVE DATE |
| | Entry Requirement: | N/A |
| | Valid Entries: | N/A |
| | Results: | N/A |
| (2) | Field Name: | MOE/MAC CODE |
| | Entry Requirement: | N/A |
| | Valid Entries: | N/A |
| | Results: | N/A |
| (3) | Field Name: | RELATED NSN |
| | Entry Requirement: | A valid Related NSN |
| | Valid Entries: | The Related NSN must be in an I&S relationship with the Input NSN. |
| | Results: | The cursor will move to the next input field. |
| (4) | Field Name: | I&S Jump To Code |
| | Entry Requirement: | The Jump To Code associated with the Related NSN. |
| | Valid Entries: | N/A |
| | Results: | The transaction is ready to be processed. |

c. Available Function Keys. The following unique function keys may be used from the Edit I&S Jump To Relationship Group screen. All standardized FLIS function keys are available. Refer to Section [16.3.2.e](#) of this document.

- | | | |
|-----|-------------|---|
| F5 | CANCEL | Cancels the current transaction and returns to the LOLA Update Main Menu. |
| F6 | PROC SCREEN | Validates the data input on the screen; must use F6 prior to F12. |
| F12 | PROC TRANS | Creates the transactions and forwards it for processing. |

a. Screen Explanation. Characteristics has two methods of input, LOLSGV and LOLTXT these screens allows the User to input individually or input all of the MRC's on the text screen that are appropriate characteristics for their item. To ADD or CHANGE characteristics data, enter the MRC, MODE CODE, ISAC and REPLY if required. To DELETE a MRC and Reply, enter MRC only and press F6 or put a D on TAG Field. To DELETE all characteristics data, enter MRC 9118 and press F6. (NOTE: PAC NAME must not be input. The PAC NAME will be programmatically handled.) When all of the required data is entered on the screen press F6 to SAVE your input. Then press either F8 to enter more characteristics or F12 to process the transaction. If you want to delete characteristics data that was previously input put a C in the Tag Field and hit F6 to process the data.

b. Field Entry Requirements. The valid entries are described below.

- | | |
|--------------------|---|
| (1) Field Name: | TAG Field |
| Entry Requirement: | C for Clear D for Delete |
| Valid Entries: | A C or D associated with the input. |
| Results: | The cursor will move to the next input field. |
| (2) Field Name: | MRC (MASTER REQUIREMENT CODE) |
| Entry Requirement: | A valid MRC. |
| Valid Entries: | A MRC associated with the input NIIN and related FIIG. |
| Results: | The cursor will move to the next input field. |
| (3) Field Name: | ISAC |
| Entry Requirement: | A valid ISAC combination. |
| Valid Entries: | ISACs associated with the input MRC. |
| Results: | The cursor will move to the next input field. |
| (4) Field Name: | MODE CODE |
| Entry Requirement: | A valid MODE CODE. |
| Valid Entries: | A MODE CODE associated with the input MRC. |
| Results: | The cursor will move to the next input field. |
| Results: | The cursor will move to the next input field. |
| (5) Field Name: | REPLY |
| Entry Requirement: | A valid CODED Reply for the input MRC/MODE CODE. |
| Valid Entries: | The values required for this field will be reflected in the FIIG that is being used to catalog this item. |
| Results: | Press F6 to save the data on this screen. Then either press F10 to submit another MRC which are to long for the MRC line than HIT F12 to submit the transaction for processing. |

c. Available Function Keys. The following unique function keys may be used from the

CHARACTERISTICS DATA screen. All standardized FLIS function keys are available. Refer to Section [16.3.2.e](#) of this document.

F5	CANCEL	Cancels the current transaction and returns to the LOLA Update Main Menu.
F6	PROC SCREEN	Validate the data input on the screen. This key must be used prior to submitting the transaction.
F7	PREV MRC	Allows the User to view the previous CHARACTERISTICS DATA screen. Under this option the Data Displayed can not be altered.
F8	NEXT MRC	Allows input of additional characteristics data.
F9	DLT SCRIN	Deletes the specific MRC and reply displayed on the screen and displays the next MRC and reply entered for this session, unless it was the last record, in which case it will display a blank input screen.
F12	PROC TRANS	This will create the transaction and send the user to the next input screen/menu.

a. Screen Explanation. This screen allows the User to change the Quantitative Expression. The only input field for the User is the Quantitative Expression. All other values have been previously entered prior to viewing this screen.

b. Field Entry Requirements. The valid entries are described below.

(1) Field Name:	QUANTITATIVE EXPRESSION
Entry Requirement:	A valid Quantitative Expression.
Valid Entries:	Use F1 for definition of this field.
Results:	The transaction is ready to be processed.

c. Available Function Keys. The following unique function keys may be used from the CHANGE QUANTITATIVE EXPRESSION screen. All standardized FLIS function keys are available. Refer to Section [16.3.2.e](#) of this document.

F5 CANCEL	Cancels the current transaction and returns to the LOLA Update Main Menu.
F6 PROC SCREEN	Validates the data input on the screen; F6 must be used prior to F12.
F7 PAGE UP	To view the previous screens data.
F8 PAGE DOWN	To view/input thie next screens data.
F12 PROC TRANS	Creates the transaction and forwards it for processing. screen/menu.

a. Screen Explanation. This screen is used to add or delete Phrase Relationship data. Action is determined by previous input.

b. Field Entry Requirements. The valid entries are described below.

- | | |
|--------------------|--|
| (1) Field Name: | PHRASE CODE |
| Entry Requirement: | A valid Phrase Code. |
| Valid Entries: | Valid entries can be obtained by positioning the cursor on the input field and pressing F1 for HELP. While in HELP a definition and a list of Valid Values will appear. Position the cursor next to the appropriate value and use the “sticky cursor” option. The selected value will be entered into the field automatically. |
| Results: | The cursor will move to the next input field. |
| (2) Field Name: | RELATED NSN |
| Entry Requirement: | A valid Related NSN. |
| Valid Entries: | An NSN, Press F1 to see the definition of NSN |
| Results: | The cursor will move to the next input screen. |

c. Available Function Keys. The following unique function keys may be used from the EDIT PHRASE RELATIONSHIP GROUP screen. All standardized FLIS function keys are available. Refer to Section [16.3.2.e](#) of this document.

- | | |
|----------------|---|
| F5 CANCEL | Cancels the current transaction and returns to the LOLA Update Main Menu. |
| F6 PROC SCREEN | Validate the data input on the screen. This key must be used prior to submitting the transaction. |
| F12 PROC TRANS | This will create the transaction and send the user to the next input screen/menu. |

APPENDIX A - PART 3
PROCEDURE SCREEN LAYOUTS

This appendix provides a cross-reference of the inquiry screen codes (SCRNCD) and the screen title associated with that code.

<u>SCRNCD</u>	<u>SCREEN TITLE</u>
<u>PROTAB</u>	Table Inquiry Screen
<u>PROIDX</u>	Table Index Inquiry Screen
<u>PRORP1</u>	Table Inquiry Reply Screen
<u>PRORP2</u>	Table Inquiry Reply Screen
<u>PRORP3</u>	Table Inquiry Reply Screen
<u>PRORP4</u>	Table Inquiry Reply Screen
<u>PRORP5</u>	Table Inquiry Reply Screen
<u>PRORP6</u>	Table Inquiry Reply Screen
<u>PRORP7</u>	Table Inquiry Reply Screen
<u>PRORP8</u>	Table Inquiry Reply Screen
<u>PRORP9</u>	Table Inquiry Reply Screen
<u>PROR10</u>	Table Inquiry Reply Screen
<u>PROR11</u>	Table Inquiry Reply Screen
<u>PROR13</u>	Table Inquiry Reply Screen
<u>PROR14</u>	Table Inquiry Reply Screen
<u>PROR15</u>	Table Inquiry Reply Screen
<u>PROR17</u>	Table Inquiry Reply Screen
<u>PROR18</u>	Table Inquiry Reply Screen
<u>PROR19</u>	Table Inquiry Reply Screen
<u>PROR20</u>	Table Inquiry Reply Screen
<u>PROR21</u>	Table Inquiry Reply Screen
<u>PROR22</u>	Table Inquiry Reply Screen
<u>PROR23</u>	Table Inquiry Reply Screen
<u>PROR25</u>	Table Inquiry Reply Screen
<u>PROAD1</u>	Table Additional Replies Screen
<u>PROAD2</u>	Table Additional Replies Screen
<u>PROACQ</u>	Acronym Inquiry Search Screen
<u>PROACX</u>	Acronym Index Search Screen
<u>PROELD</u>	Data Element Definitions Screen
<u>PROELR</u>	DRN Name Index Screen
<u>PROEDV</u>	Edit/Validation Inquiry Screen
<u>PRORCI</u>	Return Code Inquiry Screen
<u>PRORCX</u>	Return Code Index Screen

<u>SCRNCD</u>	<u>SCREEN TITLE</u>
<u>PROFOR</u>	DIC/Segment Format Screen
<u>PRODIC</u>	Document Identifier Code Format Screen
<u>PROINS</u>	Document Identifier Code Format Screen (Definitions/Instructions)
<u>PRONOT</u>	INST/NOTES Screen
<u>PROSEG</u>	Segment Formats Screen
<u>PROTTL</u>	Alphabetic Index of DIC Titles Screen
<u>PRONTE</u>	Definition or Notes Screen
<u>PROPAR</u>	Variable Length Segment Parameters Screen

*EXPERT NAVIGATION LIMITATIONS:

The following are the only LOLA Procedure screens that may be directly invoked using Expert Navigation:

- PROQIK - Quick Information
- PROACQ - Acronym Inquiry Search
- PROELD - Data Element Definitions
- PROEDV - Edit/Validation Criteria
- PROTAB - Table Inquiry
- PRORCI - Return Codes
- PROFOR - DIC/Segment Format

Within any LOLA Subsystem screen, you may jump to any of the screens available to your group. This is defined in the Table REC-MENU3.

A.111 PROQIK - Quick Information

SCRNCD: PROQIK LOGISTICS ONLINE REMOTE NETWORK DATE: 05-OCT-00
USERID: XXXXXXXX QUICK INFORMATION TIME: 07:27:22

_	ACRONYMS	(PROACQ)
_	DATA ELEMENT DEFINITIONS	(PROELD)
_	EDIT/VALIDATION CRITERIA	(PROEDU)
_	TABLE INQUIRY	(PROTAB)
_	RETURN CODES	(PRORCI)
_	DIC/SEGMENT FORMAT	(PROFOR)

POSITION CURSOR TO SELECTION AND PRESS ENTER

F1=HELP	F2=	F3=PREV MENU	F4=MAIN MENU	F5=	F6=
F7=	F8=	F9=	F10=	F11=	F12=

a. Screen Explanation. This is the first screen when Procedures Quick Information is selected from the procedures Quick Information Main Menu. It allows the End-User to select additional information about the listed sections.

b. Field Requirements. The valid field entries are described below.

- | | | |
|-----|--------------------|--|
| (1) | Field Name: | ACRONYMS |
| | Entry Requirement: | None. |
| | Valid Entries: | Tab to the selection field and press ENTER. |
| | Results: | Transfers to the screen (PROACQ). |
| (2) | Field Name: | DATA ELEMENT DEFINITIONS |
| | Entry Requirement: | None. |
| | Valid Entries: | Tab to the selection field and press ENTER. |
| | Results: | Transfers to the Data Element Definitions screen (PROELD). |
| (3) | Field Name: | EDIT/VALIDATION CRITERIA |
| | Entry Requirement: | None. |
| | Valid Entries: | Tab to the selection field and press ENTER. |
| | Results: | Transfers to the Edit/Validation Inquiry screen (PROEVD). |
| (4) | Field Name: | TABLE INQUIRY |
| | Entry Requirement: | None. |
| | Valid Entries: | Tab to the selection field and press ENTER. |
| | Results: | Transfers to the Table Inquiry screen (PROTAB). |
| (5) | Field Name: | RETURN CODES |
| | Entry Requirement: | None. |
| | Valid Entries: | Tab to the selection field and press ENTER. |
| | Results: | Transfers to the Return Code Inquiry screen (PRORCI). |
| (6) | Field Name: | DIC/SEGMENT FORMAT |
| | Entry Requirement: | None. |
| | Valid Entries: | Tab to the selection field and press ENTER. |
| | Results: | Transfers to the DIC/Segment Format screen (PROFOR). |

c. Available Function Keys. There are no unique function keys that may be used on the Quick Information screen. All standardized FLIS function keys are available.

A.112 PROTAB - Table Inquiry Screen

SCRNCD: PROTAB
USERID: XXXXXXX

PROCEDURES
TABLE INQUIRY

DATE: 05-OCT-00
TIME: 08:23

ENTER ONE REQUEST ONLY: (PRESS PF5 FOR LIST OF TABLE NUMBERS AND NAMES)

TABLE NUMBER: ___

TABLE NAME:

<MSG 0660> ENTER TABLE NUMBER OR TABLE NAME AND PRESS <ENTER> KEY

F1=HELP F2=CLEAR SCR F3=PREV MENU F4=MAIN MENU F5=NBR INDEX F6=NAME INDEX
F7= F8= F9= F10= F11= F12=

a. Screen Explanation. The inquiry screen gives the user a choice of entering either the FLIS table number or FLIS table name. If the user does not know the correct table number or name he/she should press F5. By pressing F5 the user can scan an index list of table numbers and names. This screen can be displayed by positioning the cursor next to Table Inquiry on the Quick Information screen.

(1) To return to screen PROQIK (Quick Information) the user presses F3.

(2) The user may initiate another table number or name search by keying another number or name and pressing the Enter key.

b. Field Requirements. The valid field entries are described below.

- | | | |
|-----|--------------------|--|
| (1) | Field Name: | TABLE NUMBER |
| | Entry Requirement: | Mandatory if Table Name not entered. |
| | Valid Entries: | 3 digit numeric. |
| | Results: | Transfers the End-User to the appropriate screen, based on the entry made. |
| (2) | Field Name: | TABLE NAME |
| | Entry Requirement: | Mandatory if Table Number not entered. |
| | Valid Entries: | Alphabetical Name. |
| | Results: | Transfers the End-User to the appropriate screen, based on the entry made. |

c. Available Function Keys. The following unique function keys may be used from this screen. All standardized FLIS function keys are available. The screen's SCRNC D field or designated F keys must be used to exit this screen.

- | | | |
|----|------------|---|
| F5 | NBR Index | Provides the user with an index list of table numbers and table names in numeric order. |
| F6 | NAME Index | Same except in alphabetic order. |

A.113 PROIDX - Table Index Inquiry Screen

SCRNCD: PROIDX
USERID: XXXXXXX

PROCEDURES
TABLE INDEX INQUIRY

DATE: 07-NOV-00
TIME: 12:41

NUMBER	TABLE NAME
001	REFERENCE NUMBER FORMAT CODES
002	TYPES OF ITEM IDENTIFICATION CODES
003	REFERENCE OR PARTIAL DESCRIPTIVE METHOD REASON CODES
004	REFERENCE NUMBER JUSTIFICATION CODES
005	DOCUMENT AVAILABILITY CODES (DAC)
006	REFERENCE NUMBER CATEGORY CODES
007	REFERENCE NUMBER VARIATION CODES (RNVC)
008	VALID REFERENCE NUMBER COMBINATIONS FOR ITEM-OF-SUPPLY CONCEPT
009	NATIONAL CODIFICATION BUREAU CODES
010	OUTPUT MODE/MEDIA CODES
011	SINGLE/MULTIPLE OUTPUT CODES
012	CANCEL-DUPLICATE PRIORITIES
013	REFERENCE NUMBER DUPLICATION DECISION

** MORE **

<MSG 2001> PLACE AN "X" BY SELECTION AND PRESS <ENTER>.

F1=HELP F2=CLEAR SCR F3=PREV MENU F4=MAIN MENU F5=PREV SCRN F6=
F7= F8=PAGE DOWN F9= F10= F11= F12=

a. Screen Explanation. This Inquiry screen displays an index list of FLIS table number and FLIS table names. This screen can be displayed by pressing F5 on Table Inquiry screen (PROTAB).

(1) If this search has more data than can be displayed in one screen, the user may page down by pressing the F8 key, and page up by pressing the F7 key.

(2) To return to screen PROQIK (Quick Information) the user presses F3.

(3) To return to screen PROTAB (Table Inquiry) the user presses F5.

b. Field Requirements. The valid field entries are described below.

(1) Field Name:	TAG
Entry Requirement:	Mandatory
Valid Entries:	'X'
Results:	Entering an 'X' and pressing Enter will transfer the End User to the appropriate screen, based on the selection.

c. Available Function Keys. The following unique function keys may be used from this screen. All standardized FLIS function keys are available. The screen's SCRNCDC field or designated F keys must be used to exit this screen.

F2	Clear Screen	Erases any tagged items and repositions the cursor to the top of the screen.
F5	Previous Screen	Transfers the user to the previous screen.
F7	Page Up	Displays the prior page of the current Index Inquiry being viewed.
F8	Page Down	Displays the next page of the current Index Inquiry being viewed.

A.114 PRORP1 - Table Inquiry Reply Screen

SCRNCD: PRORP1
USERID: XXXXXXX

PROCEDURES
TABLE INQUIRY REPLY

DATE: 07-NOV-00
TIME: 14:56

TABLE: 001 REFERENCE NUMBER FORMAT CODES

ENTER RNFC OR ALL===== > -----

<MSG 0492> ENTER CRITERIA AND PRESS <ENTER> KEY

F1=HELP F2=CLEAR SCR F3=PREV MENU F4=MAIN MENU F5=CANCEL F6=
F7= F8=PAGE DOWN F9=DEFNITION F10=TRAILER F11=NOTES F12=

a. Screen Explanation. This Inquiry screen displays descriptive information pertaining to an input code value. This screen can be displayed by entering various input code values on the Table Inquiry Reply screen (PRORP1).

(1) If this search has more data than can be displayed in one screen, the user may page down by pressing the F8 key, and page up by pressing the F7 key.

(2) To return to screen PROQIK (Quick Information) the user presses F3.

b. Field Requirements. The valid field entries are described below.

(1) Field Name:	ENTRY
Entry Requirement:	Mandatory
Valid Entries:	Alpha-numeric Value. The word 'ALL' to view the entire table.
Results:	Displays appropriate information pertaining to entry code.

c. Available Function Keys. The following unique function keys may be used from this screen. All standardized FLIS function keys are available. The screen's SCRNCN field or designated F keys must be used to exit this screen.

F2 Clear Screen	Erase any tagged items and repositions the cursor to the top of the screen.
F5 Cancel	Transfers back to PROTAB.
F7 Page Up	Displays the prior page of the current Inquiry Reply being viewed.
F8 Page Down	Displays the next page of the current Inquiry Reply being viewed.
F9 Definition	Transfers the user to screen PROAD2 (Table Additional Replies) for Headers.
F10 Trailer	Transfers the user to screen PROAD2 (Table Additional Replies) for Trailers.
F11 Notes	Transfers the user to screen PROAD1 (Table Additional Replies) for Notes.

A.115 PRORP2 - Table Inquiry Reply Screen

SCRNCD: PRORP2
USERID: XXXXXXX

PROCEDURES
TABLE INQUIRY REPLY

DATE: 07-NOV-00
TIME: 15:10

TABLE: 009 NATIONAL CODIFICATION BUREAU CODES

ENTER CODE OR ALL===== > _____

<MSG 0492> ENTER CRITERIA AND PRESS <ENTER> KEY

F1=HELP	F2=CLEAR SCR	F3=PREV MENU	F4=MAIN MENU	F5=CANCEL	F6=
F7=	F8=	F9=DEFNITION	F10=TRAILER	F11=NOTES	F12=

a. **Screen Explanation.** This Inquiry screen displays descriptive information pertaining to an input code value. This screen can be displayed by entering various input code values on the Table Inquiry Reply screen (PRORP2).

(1) If this search has more data than can be displayed in one screen, the user may page down by pressing the F8 key, and page up by pressing the F7 key.

(2) To return to screen PROQIK (Quick Information) the user presses F3.

(3) This screen is for the Next Part if applicable, when F12 is available.

b. **Field Requirements.** The valid field entries are described below.

(1) Field Name:	ENTRY
Entry Requirement:	Mandatory
Valid Entries:	Alpha-numeric Value. The word 'ALL' to view the entire table.
Results:	Displays appropriate information pertaining to entry code.

c. **Available Function Keys.** The following unique function keys may be used from this screen. All standardized FLIS function keys are available. The screen's SCRNCN field or designated F keys must be used to exit this screen.

F2	Clear Screen	Erase any tagged items and repositions the cursor to the top of the screen.
F5	Cancel	Transfers back to PROTAB.
F7	Page Up	Displays the prior page of the current Inquiry Reply being viewed.
F8	Page Down	Displays the next page of the current Inquiry Reply being viewed.
F9	Header	Transfers the user to screen PROAD2 (Table Additional Replies) for Headers.
F10	Trailer	Transfers the user to screen PROAD2 (Table Additional Replies) for Trailers.
F11	Notes	Transfers the user to screen PROAD1 (Table Additional Replies) for Notes.
F12	Next Part	If applicable. This key gets the next part for a particular table.

a. Screen Explanation. This Inquiry screen displays descriptive information pertaining to an input code value. This screen can be displayed by entering various input code values on the Table Inquiry Reply screen (PRORP3).

(1) If this search has more data than can be displayed in one screen, the user may page down by pressing the F8 key, and page up by pressing the F7 key.

(2) To return to screen PROQIK (Quick Information) the user presses F3.

(3) This screen is for the Next Part if applicable, when F12 is available.

b. Field Requirements. The valid field entries are described below.

(1) Field Name:	ENTRY
Entry Requirement:	Mandatory
Valid Entries:	Alpha-numeric Value. The word 'ALL' to view the entire table.
Results:	Displays appropriate information pertaining to entry code.

c. Available Function Keys. The following unique function keys may be used from this screen. All standardized FLIS function keys are available. The screen's SCRNCN field or designated F keys must be used to exit this screen.

F2	Clear Screen	Erase any tagged items and repositions the cursor to the top of the screen.
F5	Cancel	Transfers back to PROTAB.
F7	Page Up	Displays the prior page of the current Inquiry Reply being viewed.
F8	Page Down	Displays the next page of the current Inquiry Reply being viewed.
F9	Header	Transfers the user to screen PROAD2 (Table Additional Replies) for Headers.
F10	Trailer	Transfers the user to screen PROAD2 (Table Additional Replies) for Trailers.
F11	Notes	Transfers the user to screen PROAD1 (Table Additional Replies) for Notes.
F12	Next Part	If applicable. This key gets the next part for a particular table.

a. Screen Explanation. This Inquiry screen displays descriptive information pertaining to an input code value. This screen can be displayed by entering various input code values on the Table Inquiry Reply screen (PRORP4).

(1) If this search has more data than can be displayed in one screen, the user may page down by pressing the F8 key, and page up by pressing the F7 key.

(2) To return to screen PROQIK (Quick Information) the user presses F3.

(3) This screen is for the Next Part if applicable, when F12 is available.

b. Field Requirements. The valid field entries are described below.

(1) Field Name:	ENTRY
Entry Requirement:	Mandatory
Valid Entries:	Alpha-numeric Value. The word 'ALL' to view the entire table.
Results:	Displays appropriate information pertaining to entry code.

c. Available Function Keys. The following unique function keys may be used from this screen. All standardized FLIS function keys are available. The screen's SCRNCN field or designated F keys must be used to exit this screen.

F2	Clear Screen	Erase any tagged items and repositions the cursor to the top of the screen.
F5	Cancel	Transfers back to PROTAB.
F7	Page Up	Displays the prior page of the current Inquiry Reply being viewed.
F8	Page Down	Displays the next page of the current Inquiry Reply being viewed.
F9	Header	Transfers the user to screen PROAD2 (Table Additional Replies) for Headers.
F10	Trailer	Transfers the user to screen PROAD2 (Table Additional Replies) for Trailers.
F11	Notes	Transfers the user to screen PROAD1 (Table Additional Replies) for Notes.
F12	Next Part	If applicable. This key gets the next part for a particular table.

A.118 PRORP5 - Table Inquiry Reply Screen

SCRNCD: PRORP5 PROCEDURES DATE: 08-NOV-00
USERID: XXXXXXX TABLE INQUIRY REPLY TIME: 07:13

TABLE: 042 SERVICE CODE: PROVISIONING SCREENING MASTER ADDRESS TAB

ENTER CODE OR ALL===== > ALL__

CODE SERVICE/AGENCY

- 01 ARMY
- 02 NAVY
- 03 AIR FORCE
- 04 MARINE CORPS
- 05 DEFENSE LOGISTICS AGENCY/INTEGRATED MANAGER
- 06 OTHER DOD
- 07 CIVIL AGENCY
- 08 OTHER GOVERNMENTS/NORTH ATLANTIC TREATY ORGANIZATION (NATO)

** END OF DATA **

<MSG 2017> ***IMPORTANT*** - SEE NOTES (PF11), F2 FOR NEW SEARCH CRITERIA

F1=HELP F2=CLEAR SCR F3=PREV MENU F4=MAIN MENU F5=CANCEL F6=
F7= F8= F9=DEFINITION F10=TRAILER F11=NOTES F12=

a. **Screen Explanation.** This Inquiry screen displays descriptive information pertaining to an input code value. This screen can be displayed by entering various input code values on the Table Inquiry Reply screen (PRORP5).

(1) If this search has more data than can be displayed in one screen, the user may page down by pressing the F8 key, and page up by pressing the F7 key.

(2) To return to screen PROQIK (Quick Information) the user presses F3.

(3) This screen is for the Next Part if applicable, when F12 is available.

b. **Field Requirements.** The valid field entries are described below.

(1) Field Name:	ENTRY
Entry Requirement:	Mandatory
Valid Entries:	Alpha-numeric Value. The word 'ALL' to view the entire table.
Results:	Displays appropriate information pertaining to entry code.

c. **Available Function Keys.** The following unique function keys may be used from this screen. All standardized FLIS function keys are available. The screen's SCRNCNCD field or designated F keys must be used to exit this screen.

F2	Clear Screen	Erase any tagged items and repositions the cursor to the top of the screen.
F5	Cancel	Transfers back to PROTAB.
F7	Page Up	Displays the prior page of the current Inquiry Reply being viewed.
F8	Page Down	Displays the next page of the current Inquiry Reply being viewed.
F9	Header	Transfers the user to screen PROAD2 (Table Additional Replies) for Headers.
F10	Trailer	Transfers the user to screen PROAD2 (Table Additional Replies) for Trailers.
F11	Notes	Transfers the user to screen PROAD1 (Table Additional Replies) for Notes.

a. **Screen Explanation.** This Inquiry screen displays descriptive information pertaining to an input code value. This screen can be displayed by entering various input code values on the Table Inquiry Reply screen (PRORP6).

(1) If this search has more data than can be displayed in one screen, the user may page down by pressing the F8 key, and page up by pressing the F7 key.

(2) To return to screen PROQIK (Quick Information) the user presses F3.

(3) This screen is for the Next Part if applicable, when F12 is available.

b. **Field Requirements.** The valid field entries are described below.

(1) Field Name:	ENTRY
Entry Requirement:	Mandatory
Valid Entries:	Alpha-numeric Value. The word 'ALL' to view the entire table.
Results:	Displays appropriate information pertaining to entry code.

c. **Available Function Keys.** The following unique function keys may be used from this screen. All standardized FLIS function keys are available. The screen's SCRNCNCD field or designated F keys must be used to exit this screen.

F2	Clear Screen	Erase any tagged items and repositions the cursor to the top of the screen.
F5	Cancel	Transfers back to PROTAB.
F7	Page Up	Displays the prior page of the current Inquiry Reply being viewed.
F8	Page Down	Displays the next page of the current Inquiry Reply being viewed.
F9	Header	Transfers the user to screen PROAD2 (Table Additional Replies) for Headers.
F10	Trailer	Transfers the user to screen PROAD2 (Table Additional Replies) for Trailers.
F11	Notes	Transfers the user to screen PROAD1 (Table Additional Replies) for Notes.
F12	Next Part	If applicable. This key will be available if appropriate program has additional parts and 'A' is entered as criteria for search.

a. **Screen Explanation.** This Inquiry screen displays descriptive information pertaining to an input code value. This screen can be displayed by entering various input code values on the Table Inquiry Reply screen (PRORP7).

(1) If this search has more data than can be displayed in one screen, the user may page down by pressing the F8 key, and page up by pressing the F7 key.

(2) To return to screen PROQIK (Quick Information) the user presses F3.

(3) This screen is for the Next Part if applicable, when F12 is available.

b. **Field Requirements.** The valid field entries are described below.

(1) Field Name:	ENTRY
Entry Requirement:	Mandatory
Valid Entries:	Alpha-numeric Value. The word 'ALL' to view the entire table.
Results:	Displays appropriate information pertaining to entry code.

c. **Available Function Keys.** The following unique function keys may be used from this screen. All standardized FLIS function keys are available. The screen's SCRNCNCD field or designated F keys must be used to exit this screen.

F2	Clear Screen	Erase any tagged items and repositions the cursor to the top of the screen.
F5	Cancel	Transfers back to PROTAB.
F7	Page Up	Displays the prior page of the current Table Inquiry Reply being viewed.
F8	Page Down	Displays the next page of the current Table Inquiry Reply being viewed.
F9	Header	Transfers the user to screen PROAD2 (Table Additional Replies) for Headers.
F10	Trailer	Transfers the user to screen PROAD2 (Table Additional Replies) for Trailers.
F11	Notes	Transfers the user to screen PROAD1 (Table Additional Replies) for Notes.

A.121 PRORP8 - Table Inquiry Reply Screen

SCRNCD: PRORP8
USERID: XXXXXXX

PROCEDURES
TABLE INQUIRY REPLY

DATE: 08-NOV-00
TIME: 07:21

TABLE: 016 ITEM IDENTIFICATION SCREENING DECISION

ENTER REF. CODE OR ALL=====> ALL__ AND ENTER CHAR. CODE=====> ____

REFERENCE SCREENING	CHARACTERISTIC SCREENING	TYPE OF MATCH	RESULTING OUTPUT ACTION
-	P	POSSIBLE	RETURN AS A POSSIBLE MATCH
-	NM	NO MATCH	ASSIGN NEW NIIN/PSCN
-	A	ACTUAL	RETURN AS AN ACTUAL MATCH
A	A	ACTUAL	RETURN AS AN ACTUAL MATCH
A	NM	ACTUAL	RETURN AS AN ACTUAL MATCH
A	P	ACTUAL	RETURN AS AN ACTUAL MATCH
A	-	ACTUAL	RETURN AS AN ACTUAL MATCH
NM	P	POSSIBLE	RETURN AS A POSSIBLE DUPLICATE
NM	NM	NO MATCH	ASSIGN NEW NIIN/PSCN
NM	A	POSSIBLE	RETURN AS A POSSIBLE DUPLICATE

** MORE **

<MSG 2017> ***IMPORTANT*** - SEE NOTES (PF11), F2 FOR NEW SEARCH CRITERIA

F1=HELP F2=CLEAR SCR F3=PREV MENU F4=MAIN MENU F5=CANCEL F6=
F7= F8=PAGE DOWN F9=DEFNITION F10=TRAILER F11=NOTES F12=

a. **Screen Explanation.** This Inquiry screen displays descriptive information pertaining to an input code value. This screen can be displayed by entering various input code values on the Table Inquiry Reply screen (PRORP8).

(1) If this search has more data than can be displayed in one screen, the user may page down by pressing the F8 key, and page up by pressing the F7 key.

(2) To return to screen PROQIK (Quick Information) the user presses F3.

b. **Field Requirements.** The valid field entries are described below.

(1) Field Name:	ENTRY
Entry Requirement:	Mandatory
Valid Entries:	Alpha-numeric Value. The word 'ALL' to view the entire table.
Results:	Displays appropriate information pertaining to entry code.

c. **Available Function Keys.** The following unique function keys may be used from this screen. All standardized FLIS function keys are available. The screen's SCRNCN field or designated F keys must be used to exit this screen.

F2 Clear Screen	Erase any tagged items and repositions the cursor to the top of the screen.
F5 Cancel	Transfers back to PROTAB.
F7 Page Up	Displays the prior page of the current Inquiry Reply being viewed.
F8 Page Down	Displays the next page of the current Inquiry Reply being viewed.
F9 Header	Transfers the user to screen PROAD2 (Table Additional Replies) for Headers.
F10 Trailer	Transfers the user to screen PROAD2 (Table Additional Replies) for Trailers.
F11 Notes	Transfers the user to screen PROAD1 (Table Additional Replies) for Notes.

a. Screen Explanation. This Inquiry screen displays descriptive information pertaining to an input code value. This screen can be displayed by entering various input code values on the Table Inquiry Reply screen (PRORP9).

(1) If this search has more data than can be displayed in one screen, the user may page down by pressing the F8 key, and page up by pressing the F7 key.

(2) To return to screen PROQIK (Quick Information) the user presses F3.

b. Field Requirements. The valid field entries are described below.

(1) Field Name:	ENTRY
Entry Requirement:	Mandatory
Valid Entries:	Alpha-numeric Value. The word 'ALL' to view the entire table.
Results:	Displays appropriate information pertaining to entry code.

c. Available Function Keys. The following unique function keys may be used from this screen. All standardized FLIS function keys are available. The screen's SCRNCN field or designated F keys must be used to exit this screen.

F5 Cancel	Transfers back to PROTAB.
F7 Page Up	Displays the prior page of the current Inquiry Reply being viewed.
F8 Page Down	Displays the next page of the current Inquiry Reply being viewed.
F9 Header	Transfers the user to screen PROAD2 (Table Additional Replies) for Headers.
F10 Trailer	Transfers the user to screen PROAD2 (Table Additional Replies) for Trailers.
F11 Notes	Transfers the user to screen PROAD1 (Table Additional Replies) for Notes.

A.123 PROR10 - Table Inquiry Reply Screen

SCRNCD: PROR10 PROCEDURES DATE: 08-NOV-00
 USERID: XXXXXXX TABLE INQUIRY REPLY TIME: 07:26

TABLE: 026 LIMITED DISTRIBUTION CODES

ENTER CODE OR ALL===== > ALL__

CODE	EXPLANATION AND APPLICABILITY CRITERIA	DOD CATALOG ACTION SINGLE SUBMITTER	AUTHORIZED INTERROGATION SUBMITTER
0	IDENTIFIEES FILE DATA FOR WHICH THE CHARACTERISTICS DESCRIPTION OF AN FII (DD 146) IS SECURITY CLASSIFIED. THIS PORTION OF THE RECORD CAN ONLY BE OBTAINED FROM THE RESPONSIBLE CATALOGING ACTIVITY. THE DD 635 (EAM) PORTION OF THE ITEM RECORD IS NOT SECURITY CLASSIFIED AND NORMAL		
		** MORE **	
<MSG 2017> ***IMPORTANT*** - SEE NOTES (PF11), F2 FOR NEW SEARCH CRITERIA			
F1=HELP	F2=CLEAR SCR	F3=PREV MENU	F4=MAIN MENU
F7=	F8=PAGE DOWN	F9=DEFNITION	F10=TRAILER
		F11=NOTES	F12=

a. Screen Explanation. This Inquiry screen displays descriptive information pertaining to an input code value. This screen can be displayed by entering various input code values on the Table Inquiry Reply screen (PROR10).

(1) If this search has more data than can be displayed in one screen, the user may page down by pressing the F8 key, and page up by pressing the F7 key.

(2) To return to screen PROQIK (Quick Information) the user presses F3.

b. Field Requirements. The valid field entries are described below.

(1) Field Name:	ENTRY
Entry Requirement:	Mandatory
Valid Entries:	Alpha-numeric Value. The word 'ALL' to view the entire table.
Results:	Displays appropriate information pertaining to entry code.

c. Available Function Keys. The following unique function keys may be used from this screen. All standardized FLIS function keys are available. The screen's SCRNCNCD field or designated F keys must be used to exit this screen.

F5 Cancel	Transfers back to PROTAB.
F7 Page Up	Displays the prior page of the current Inquiry Reply being viewed.
F8 Page Down	Displays the next page of the current Inquiry Reply being viewed.
F9 Definition	Transfers the user to screen PROAD2 (Table Additional Replies) for Headers.
F10 Trailer	Transfers the user to screen PROAD2 (Table Additional Replies) for Trailers.
F11 Notes	Transfers the user to screen PROAD1 (Table Additional Replies) for Notes.

a. Screen Explanation. This Inquiry screen displays descriptive information pertaining to an input code value. This screen can be displayed by entering various input code values on the Table Inquiry Reply screen (PROR11).

(1) If this search has more data than can be displayed in one screen, the user may page down by pressing the F8 key, and page up by pressing the F7 key.

(2) To return to screen PROQIK (Quick Information) the user presses F3.

b. Field Requirements. The valid field entries are described below.

(1) Field Name:	ENTRY
Entry Requirement:	Mandatory
Valid Entries:	Alpha-numeric Value. The word 'ALL' to view the entire table.
Results:	Displays appropriate information pertaining to entry code.

c. Available Function Keys. The following unique function keys may be used from this screen. All standardized FLIS function keys are available. The screen's SCRNCNCD field or designated F keys must be used to exit this screen.

F5 Cancel	Transfers back to PROTAB.
F7 Page Up	Displays the prior page of the current Inquiry Reply being viewed.
F8 Page Down	Displays the next page of the current Inquiry Reply being viewed.
F9 Definition	Transfers the user to screen PROAD2 (Table Additional Replies) for Headers.
F10 Trailer	Transfers the user to screen PROAD2 (Table Additional Replies) for Trailers.
F11 Notes	Transfers the user to screen PROAD1 (Table Additional Replies) for Notes.

A.125 PROR13 - Table Inquiry Reply Screen

SCRNCD: PROR13 PROCEDURES DATE: 08-NOV-00
 USERID: XXXXXXX TABLE INQUIRY REPLY TIME: 07:35

 TABLE: 079 UNIT OF ISSUE CONVERSION FACTORS

ENTER CODE OR ALL===== > ALL__

CODE	OLD UNIT OF ISSUE	NEW UNIT OF ISSUE	CONVERSION LOCATOR & FACTOR	DECIMAL MULTIPLY BY
BL	BARREL (STANDARD U.S.; 31.5 G*	CUBIC FOOT	34212	4.212
BL	BARREL (STANDARD U.S.; 31.5 G*	GALLON	10315	31.5
BL	BARREL (BULK PETROLEUM; 42 GL*	GALLON	00042	42.
BL	BARREL (STANDARD U.S.; 31.5 G*	LITER	11192	119.2
BL	BARREL (STANDARD U.S.; 31.5 G*	PINT	00252	252.

** MORE **

<MSG 2017> ***IMPORTANT*** - SEE NOTES (PF11), F2 FOR NEW SEARCH CRITERIA

F1=HELP F2=CLEAR SCR F3=PREV MENU F4=MAIN MENU F5=CANCEL F6=
 F7= F8=PAGE DOWN F9=DEFNITION F10=TRAILER F11=NOTES F12=

a. Screen Explanation. This Inquiry screen displays descriptive information pertaining to an input code value. This screen can be displayed by entering various input code values on the Table Inquiry Reply screen (PROR13).

(1) If this search has more data than can be displayed in one screen, the user may page down by pressing the F8 key, and page up by pressing the F7 key.

(2) To return to screen PROQIK (Quick Information) the user presses F3.

b. Field Requirements. The valid field entries are described below.

(1) Field Name:	ENTRY
Entry Requirement:	Mandatory
Valid Entries:	Alpha-numeric Value. The word 'ALL' to view the entire table.
Results:	Displays appropriate information pertaining to entry code.

c. Available Function Keys. The following unique function keys may be used from this screen. All standardized FLIS function keys are available. The screen's SCRNCNCD field or designated F keys must be used to exit this screen.

F5 Cancel	Transfers back to PROTAB.
F7 Page Up	Displays the prior page of the current Inquiry Reply being viewed.
F8 Page Down	Displays the next page of the current Inquiry Reply being viewed.
F9 Definition	Transfers the user to screen PROAD2 (Table Additional Replies) for Headers.
F10 Trailer	Transfers the user to screen PROAD2 (Table Additional Replies) for Trailers.
F11 Notes	Transfers the user to screen PROAD1 (Table Additional Replies) for Notes.

A.126 PROR14 - Table Inquiry Reply Screen

SCRNCD: PROR14 PROCEDURES DATE: 08-NOV-00
 USERID: XXXXXXX TABLE INQUIRY REPLY TIME: 07:37

TABLE: 111 NAVY SOURCE OF SUPPLY CODE

ENTER CODE OR ALL===== > ALL__

IRRC	SOS	CODE	COGNIZANCE SYMBOL (STEP 7)
AF	N23	RA	
AH	R41	RB	
AM	NM2	RC	
AW	RK2	RE	
BE	N39	RH	
BJ	N84	RJ	
BL	N35	RK	
BM	N77	RL	
BS	N32	RN	
BU	NCB	RP	
BW	N47	R1	

** MORE **

<MSG 2017> ***IMPORTANT*** - SEE NOTES (PF11), F2 FOR NEW SEARCH CRITERIA

F1=HELP F2=CLEAR SCR F3=PREV MENU F4=MAIN MENU F5=CANCEL F6=
 F7= F8=PAGE DOWN F9=DEFNITION F10=TRAILER F11=NOTES F12=

a. Screen Explanation. This Inquiry screen displays descriptive information pertaining to an input code value. This screen can be displayed by entering various input code values on the Table Inquiry Reply screen (PROR14).

(1) If this search has more data than can be displayed in one screen, the user may page down by pressing the F8 key, and page up by pressing the F7 key.

(2) To return to screen PROQIK (Quick Information) the user presses F3.

b. Field Requirements. The valid field entries are described below.

(1) Field Name:	ENTRY
Entry Requirement:	Mandatory
Valid Entries:	Alpha-numeric Value. The word 'ALL' to view the entire table.
Results:	Displays appropriate information pertaining to entry code.

c. Available Function Keys. The following unique function keys may be used from this screen. All standardized FLIS function keys are available. The screen's SCRNCNCD field or designated F keys must be used to exit this screen.

F5 Cancel	Transfers back to PROTAB.
F7 Page Up	Displays the prior page of the current Inquiry Reply being viewed.
F8 Page Down	Displays the next page of the current Inquiry Reply being viewed.
F9 Definition	Transfers the user to screen PROAD2 (Table Additional Replies) for Headers.
F10 Trailer	Transfers the user to screen PROAD2 (Table Additional Replies) for Trailers.
F11 Notes	Transfers the user to screen PROAD1 (Table Additional Replies) for Notes.

a. Screen Explanation. This Inquiry screen displays descriptive information pertaining to an input code value. This screen can be displayed by entering various input code values on the Table Inquiry Reply screen (PROR15).

(1) If this search has more data than can be displayed in one screen, the user may page down by pressing the F8 key, and page up by pressing the F7 key.

(2) To return to screen PROQIK (Quick Information) the user presses F3.

b. Field Requirements. The valid field entries are described below.

(1) Field Name:	ENTRY
Entry Requirement:	Mandatory
Valid Entries:	Alpha-numeric Value. The word 'ALL' to view the entire table.
Results:	Displays appropriate information pertaining to entry code.

c. Available Function Keys. The following unique function keys may be used from this screen. All standardized FLIS function keys are available. The screen's SCRNCNCD field or designated F keys must be used to exit this screen.

F5 Cancel	Transfers back to PROTAB.
F7 Page Up	Displays the prior page of the current Inquiry Reply being viewed.
F8 Page Down	Displays the next page of the current Inquiry Reply being viewed.
F9 Definition	Transfers the user to screen PROAD2 (Table Additional Replies) for Headers.
F10 Trailer	Transfers the user to screen PROAD2 (Table Additional Replies) for Trailers.
F11 Notes	Transfers the user to screen PROAD1 (Table Additional Replies) for Notes.
F12 Next Part	If applicable. If a table has multiple parts then this F key is used to access additional data.

a. **Screen Explanation.** This Inquiry screen displays descriptive information pertaining to an input code value. This screen can be displayed by entering various input code values on the Table Inquiry Reply screen (PROR17).

(1) If this search has more data than can be displayed in one screen, the user may page down by pressing the F8 key, and page up by pressing the F7 key.

(2) To return to screen PROQIK (Quick Information) the user presses F3.

(3) This screen is for the Next Part if applicable, when F12 is available.

b. **Field Requirements.** The valid field entries are described below.

(1) Field Name:	ENTRY
Entry Requirement:	Mandatory
Valid Entries:	Alpha-numeric Value. The word 'ALL' to view the entire table.
Results:	Displays appropriate information pertaining to entry code.

c. **Available Function Keys.** The following unique function keys may be used from this screen. All standardized FLIS function keys are available. The screen's SCRNCNCD field or designated F keys must be used to exit this screen.

F5	Cancel	Transfers back to PROTAB.
F7	Page Up	Displays the prior page of the current Inquiry Reply being viewed.
F8	Page Down	Displays the next page of the current Inquiry Reply being viewed.
F9	Definition	Transfers the user to screen PROAD2 (Table Additional Replies) for Headers.
F10	Trailer	Transfers the user to screen PROAD2 (Table Additional Replies) for Trailers.
F11	Notes	Transfers the user to screen PROAD1 (Table Additional Replies) for Notes.
F12	Next Part	If applicable. If a table has multiple parts then this F key is used to access additional data.

a. Screen Explanation. This Inquiry screen displays descriptive information pertaining to an input code value. This screen can be displayed by entering various input code values on the Table Inquiry Reply screen (PROR18).

(1) If this search has more data than can be displayed in one screen, the user may page down by pressing the F8 key, and page up by pressing the F7 key.

(2) To return to screen PROQIK (Quick Information) the user presses F3.

(3) This screen is for the Next Part if applicable, when F12 is available.

b. Field Requirements. The valid field entries are described below.

(1) Field Name:	ENTRY
Entry Requirement:	Mandatory
Valid Entries:	Alpha-numeric Value. The word 'ALL' to view the entire table.
Results:	Displays appropriate information pertaining to entry code.

c. Available Function Keys. The following unique function keys may be used from this screen. All standardized FLIS function keys are available. The screen's SCRNCNCD field or designated F keys must be used to exit this screen.

F5 Cancel	Transfers back to PROTAB.
F7 Page Up	Displays the prior page of the current Inquiry Reply being viewed.
F8 Page Down	Displays the next page of the current Inquiry Reply being viewed.
F9 Definition	Transfers the user to screen PROAD2 (Table Additional Replies) for Headers.
F10 Trailer	Transfers the user to screen PROAD2 (Table Additional Replies) for Trailers.
F11 Notes	Transfers the user to screen PROAD1 (Table Additional Replies) for Notes.
F12 Next Part	If applicable. If a table has multiple parts then this F key is used to access additional data.

a. Screen Explanation. This Inquiry screen displays descriptive information pertaining to an input code value. This screen can be displayed by entering various input code values on the Table Inquiry Reply screen (PROR19).

(1) If this search has more data than can be displayed in one screen, the user may page down by pressing the F8 key, and page up by pressing the F7 key.

(2) To return to screen PROQIK (Quick Information) the user presses F3.

b. Field Requirements. The valid field entries are described below.

(1) Field Name:	ENTRY
Entry Requirement:	Mandatory
Valid Entries:	Alpha-numeric Value. The word 'ALL' to view the entire table.
Results:	Displays appropriate information pertaining to entry code.

c. Available Function Keys. The following unique function keys may be used from this screen. All standardized FLIS function keys are available. The screen's SCRNCN field or designated F keys must be used to exit this screen.

F5 Cancel	Transfers back to PROTAB.
F7 Page Up	Displays the prior page of the current Inquiry Reply being viewed.
F8 Page Down	Displays the next page of the current Inquiry Reply being viewed.
F9 Definition	Transfers the user to screen PROAD2 (Table Additional Replies) for Headers.
F10 Trailer	Transfers the user to screen PROAD2 (Table Additional Replies) for Trailers.
F11 Notes	Transfers the user to screen PROAD1 (Table Additional Replies) for Notes.

a. Screen Explanation. This Inquiry screen displays descriptive information pertaining to an input code value. This screen can be displayed by entering various input code values on the Table Inquiry Reply screen (PROR20).

(1) If this search has more data than can be displayed in one screen, the user may page down by pressing the F8 key, and page up by pressing the F7 key.

(2) To return to screen PROQIK (Quick Information) the user presses F3.

b. Field Requirements. The valid field entries are described below.

(1) Field Name:	ENTRY
Entry Requirement:	Mandatory
Valid Entries:	Alpha-numeric Value. The word 'ALL' to view the entire table.
Results:	Displays appropriate information pertaining to entry code.

c. Available Function Keys. The following unique function keys may be used from this screen. All standardized FLIS function keys are available. The screen's SCRNCN field or designated F keys must be used to exit this screen.

F5 Cancel	Transfers back to PROTAB.
F7 Page Up	Displays the prior page of the current Inquiry Reply being viewed.
F8 Page Down	Displays the next page of the current Inquiry Reply being viewed.
F9 Definition	Transfers the user to screen PROAD2 (Table Additional Replies) for Headers.
F10 Trailer	Transfers the user to screen PROAD2 (Table Additional Replies) for Trailers.
F11 Notes	Transfers the user to screen PROAD1 (Table Additional Replies) for Notes.

a. **Screen Explanation.** This Inquiry screen displays descriptive information pertaining to an input code value. This screen can be displayed by entering various input code values on the Table Inquiry Reply screen (PROR21).

(1) If this search has more data than can be displayed in one screen, the user may page down by pressing the F8 key, and page up by pressing the F7 key.

(2) To return to screen PROQIK (Quick Information) the user presses F3.

b. **Field Requirements.** The valid field entries are described below.

(1) Field Name:	ENTRY
Entry Requirement:	Mandatory
Valid Entries:	Alpha-numeric Value. The word 'ALL' to view the entire table.
Results:	Displays appropriate information pertaining to entry code.

c. **Available Function Keys.** The following unique function keys may be used from this screen. All standardized FLIS function keys are available. The screen's SCRNCN field or designated F keys must be used to exit this screen.

F5 Cancel	Transfers back to PROTAB.
F7 Page Up	Displays the prior page of the current Inquiry Reply being viewed.
F8 Page Down	Displays the next page of the current Inquiry Reply being viewed.
F9 Definition	Transfers the user to screen PROAD2 (Table Additional Replies) for Headers.
F10 Trailer	Transfers the user to screen PROAD2 (Table Additional Replies) for Trailers.
F11 Notes	Transfers the user to screen PROAD1 (Table Additional Replies) for Notes.

a. **Screen Explanation.** This Inquiry screen displays descriptive information pertaining to an input code value. This screen can be displayed by entering various input code values on the Table Inquiry Reply screen (PROR22).

(1) If this search has more data than can be displayed in one screen, the user may page down by pressing the F8 key, and page up by pressing the F7 key.

(2) To return to screen PROQIK (Quick Information) the user presses F3.

b. **Field Requirements.** The valid field entries are described below.

(1) Field Name:	ENTRY
Entry Requirement:	Mandatory
Valid Entries:	Alpha-numeric Value. The word 'ALL' to view the entire table.
Results:	Displays appropriate information pertaining to entry code.

c. **Available Function Keys.** The following unique function keys may be used from this screen. All standardized FLIS function keys are available. The screen's SCRNCN field or designated F keys must be used to exit this screen.

F5 Cancel	Transfers back to PROTAB.
F7 Page Up	Displays the prior page of the current Inquiry Reply being viewed.
F8 Page Down	Displays the next page of the current Inquiry Reply being viewed.
F9 Definition	Transfers the user to screen PROAD2 (Table Additional Replies) for Headers.
F10 Trailer	Transfers the user to screen PROAD2 (Table Additional Replies) for Trailers.
F11 Notes	Transfers the user to screen PROAD1 (Table Additional Replies) for Notes.

a. **Screen Explanation.** This Inquiry screen displays descriptive information pertaining to an input code value. This screen can be displayed by entering various input code values on the Table Inquiry Reply screen (PROR23).

(1) If this search has more data than can be displayed in one screen, the user may page down by pressing the F8 key, and page up by pressing the F7 key.

(2) To return to screen PROQIK (Quick Information) the user presses F3.

(3) This screen is for the Next Part if applicable, when F12 is available.

b. **Field Requirements.** The valid field entries are described below.

(1) Field Name:	ENTRY
Entry Requirement:	Mandatory
Valid Entries:	Alpha-numeric Value. The word 'ALL' to view the entire table.
Results:	Displays appropriate information pertaining to entry code.

c. **Available Function Keys.** The following unique function keys may be used from this screen. All standardized FLIS function keys are available. The screen's SCRNCN field or designated F keys must be used to exit this screen.

F5	Cancel	Transfers back to PROTAB.
F7	Page Up	Displays the prior page of the current Inquiry Reply being viewed.
F8	Page Down	Displays the next page of the current Inquiry Reply being viewed.
F9	Definition	Transfers the user to screen PROAD2 (Table Additional Replies) for Headers.
F10	Trailer	Transfers the user to screen PROAD2 (Table Additional Replies) for Trailers.
F11	Notes	Transfers the user to screen PROAD1 (Table Additional Replies) for Notes.
F12	Next Part	If applicable. If a table has multiple parts then this F key is used to access additional data.

a. **Screen Explanation.** This Inquiry screen displays descriptive information pertaining to an input code value. This screen can be displayed by entering various input code values on the Table Inquiry Reply screen (PROR25).

(1) If this search has more data than can be displayed in one screen, the user may page down by pressing the F8 key, and page up by pressing the F7 key.

(2) To return to screen PROQIK (Quick Information) the user presses F3.

(3) This screen is for Part 2 if applicable, when F12 is available.

b. **Field Requirements.** The valid field entries are described below.

(1) Field Name:	ENTRY
Entry Requirement:	Mandatory
Valid Entries:	Alpha-numeric Value. The word 'ALL' to view the entire table.
Results:	Displays appropriate information pertaining to entry code.

c. **Available Function Keys.** The following unique function keys may be used from this screen. All standardized FLIS function keys are available. The screen's SCRNCNCD field or designated F keys must be used to exit this screen.

F5	Cancel	Transfers back to PROTAB.
F7	Page Up	Displays the prior page of the current Inquiry Reply being viewed.
F8	Page Down	Displays the next page of the current Inquiry Reply being viewed.
F9	Definition	Transfers the user to screen PROAD2 (Table Additional Replies) for Headers.
F10	Trailer	Transfers the user to screen PROAD2 (Table Additional Replies) for Trailers.
F11	Notes	Transfers the user to screen PROAD1 (Table Additional Replies) for Notes.
F12	Part 2	If applicable. If a table has multiple parts then this F key is used to access additional data.

a. **Screen Explanation.** This Inquiry screen displays notes data for the table being processed. This screen can be displayed by pressing F11 the Table Inquiry Reply screen (PRORP1-PROR25).

(1) If this search has more data than can be displayed in one screen, the user may page down by pressing the F8 key, and page up by pressing the F7 key.

(2) To return to screen PROQIK (Quick Information) the user presses F3.

b. **Field Requirement.** The fields on this screen are display fields and will display information based on the previous entries made.

c. **Available Function Keys.** The following unique function keys may be used from this screen. All standardized FLIS function keys are available. The screen's SCRNCD field or designated F keys must be used to exit this screen.

F5	Previous Screen	Transfers the user to the previous screen.
F7	Page Up	Displays the prior page of the current Inquiry Reply being viewed.
F8	Page Down	Displays the next page of the current Inquiry Reply being viewed.

a. **Screen Explanation.** This Inquiry screen displays headers and trailers data for the table being processed. This screen can be displayed by pressing F9 (definition) or F10 (trailers) on the Table Inquiry Reply screen (PRORP1-PROR25).

(1) If this search has more data than can be displayed in one screen, the user may page down by pressing the F8 key, and page up by pressing the F7 key.

(2) To return to screen PROQIK (Quick Information) the user presses F3.

b. **Field Requirement.** The fields on this screen are display fields and will display information based on the previous entries made.

c. **Available Function Keys.** The following unique function keys may be used from this screen. All standardized FLIS function keys are available. The screen's SCRNCD field or designated F keys must be used to exit this screen.

F5	Previous Screen	Transfers the user to the previous screen.
F7	Page Up	Displays the prior page of the current Inquiry Reply being viewed.
F8	Page Down	Displays the next page of the current Inquiry Reply being viewed.

a. **Screen Explanation.** This Inquiry screen gives the user a choice of entering either one full acronym or a partial followed by a '?'. If the user does not know the correct acronym he/she should press F5. By pressing F5 the user can scan an index list of acronyms. This screen can be displayed by positioning the cursor next to Acronyms on Quick Information screen.

(1) To return to screen PROQIK (Quick Information) the user presses F3.

(2) The user may initiate another acronym search by keying another acronym or partial acronym and pressing ENTER key.

b. **Field Requirements.** The valid field entries are described below.

(1) Field Name:	ACRONYM
Entry Requirement:	Optional
Valid Entries:	Alpha-numeric
Results:	Acronym definition

c. **Available Function Keys.** The following unique function keys may be used from this screen. All standardized FLIS function keys are available. The screen's SCRNC D field or designated F keys must be used to exit this screen.

F5	Index	Provides the user with an index of acronyms.
F7	Page Up	Displays the prior page of the current Acronym Inquiry being viewed.
F8	Page Down	Displays the next page of the current Acronym Inquiry being viewed.
F9	Next Def	Displays next acronym definition for acronyms with multiple definition.

A.139 PROACX - Acronym Index Search Screen

SCRNCD: PROACX
USERID: XXXXXXXX

PROCEDURES
ACRONYM INDEX SEARCH

DATE: 08-NOV-00
TIME: 09:34

ACRONYM	ACRONYM	ACRONYM
- AA	- AAC	- AC
- ACC	- ACN	- ACT
- ADC	- ADDL	- ADP
- ADPE	- ADPEC	- ADPFSR
- ADPP	- ADPS	- AEC
- AFFC	- AFLC	- AFM
- AIM	- AIN	- AINRP
- AIS	- AMC	- AMDF
- AMLS	- AMSC	- ANAP
- ANSI	- APCAPS	- APP
- APSN	- AQL	- AR
- ARC	- ARI	- ASCII

** MORE **

<MSG 2001> PLACE AN "X" BY SELECTION AND PRESS <ENTER>.

F1=HELP F2=CLEAR SCR F3=PREV MENU F4=MAIN MENU F5=CANCEL F6=
F7= F8=PAGE DOWN F9= F10= F11= F12=

a. Screen Explanation. This Inquiry screen displays an index list of acronyms. This screen can be displayed by pressing F5 on the Acronym Inquiry Search screen (PROACR).

(1) If this search has more than can be displayed in one screen, the user may page down by pressing the F8 key, and page up by pressing the F7 key.

(2) To return to screen PROQIK (Quick Information) the user presses F3.

b. Field Requirements. The valid field entries are described below.

- | | |
|--------------------|---|
| (1) Field Name: | OPTION |
| Entry Requirement: | At least one criteria must be selected with an 'X'. |
| Valid entries: | 'X' |
| Results | Transfers to LQLN930I PROACR for definition. |

c. Available Function Keys. The following unique function keys may be used from this screen. All standardized FLIS function keys are available. The screen's SCRNCNCD field or designated F keys must be used to exit this screen.

- | | | |
|----|-----------|--|
| F5 | Cancel | Transfers the user back to the previous screen. |
| F7 | Page Up | Displays the prior page of the current Acronym Inquiry being viewed. |
| F8 | Page Down | Displays the next page of the current Acronym Inquiry being viewed. |

a. Screen Explanation. This Inquiry screen displays definitions for the following input criteria: DRN, name, or alias. The user may enter a partial DRN or name followed by a '?'. If the user does not know the correct input value he/she can press F5 (for a DRN Index) or F6 (for a Name Index). This screen can be displayed by entering a DRN, name, or alias; or partial DRN or name followed by a '?'.

(1) If this search has more than can be displayed in one screen, the user may page down by pressing the F8 key, and page up by pressing the F7 key.

(2) To return to screen PROQIK (Quick Information) the user presses F3.

b. Field Requirements. The valid field entries are described below.

(1) Field Name:	DRN, or NAME or ALIAS
Entry Requirement:	One entry mandatory
Valid Entries:	DRN = four digit numeric Name= alphabetical name Alias = alpha-numeric
Results:	When one of the three choices is entered, the other two fields are moved with data element definitions to screen.

c. Available Function Keys. The following unique function keys may be used from this screen. All standardized FLIS function keys are available. The screen's SCRNCNCD field or designated F keys must be used to exit this screen.

F5	DRN Index	Provides the user with an index list of DRNs.
F6	Name Index	Provides the user with an index list of Names.
F7	Page Up	Displays the prior page of the current Data Element Definitions being viewed.
F8	Page Down	Displays the next page of the current Data Element Definitions being viewed.

A.141 PROELR - DRN Name Index Screen

SCRNCD: PROELR
USERID: XXXXXXX

PROCEDURES
DRN NAME INDEX

DATE: 08-NOV-00
TIME: 09:40

DRN	NAME	ALIAS
-	DNSC-SHP-TO-CO-ZIP	DNSC-SHP-TO-CO-ZIP
-	DNSC-SHP-TO-CO-ST-	DNSC-SHP-TO-CO-ST-
-	DNSC-SHP-TO-CO-NM	DNSC-SHP-TO-CO-NM
-	DNSC-SHP-CO-TO-STA	DNSC-SHP-CO-TO-STA
-	0010 ORGN-IDEN-CLRTXT-L	ORGN-IDEN-CLRTXT-L
-	0011 OE-LI-SEG-NBR-EXPL	OE-LI-SEG-NBR-EXPL
-	0041 EXTD-FRT-DESC	EXTD-FRT-DESC
-	0043 DATE-LST-CHG	DATE-LST-CHG
-	0044 TYP-LST-ACT	TYP-LST-ACT
-	0045 IN-THE-CLR-ADRS	IN-THE-CLR-ADRS
-	0046 COMN-VAL-CDS	COMN-VAL-CDS
-	0074 FAB-CAGE-NSCM-CD	FAB-CAGE-NSCM-CD
-	0076 NIMSC	NIMSC

** MORE **

<MSG 2001> PLACE AN "X" BY SELECTION AND PRESS <ENTER>.

F1=HELP F2=CLEAR SCR F3=PREV MENU F4=MAIN MENU F5=CANCEL F6=
F7=PAGE UP F8=PAGE DOWN F9= F10= F11= F12=

a. **Screen Explanation.** This Inquiry screen displays an index list of DRN, Name, and Alias. The user should tag the appropriate field with an “X” and press enter or F6 to display the Data Element Definition for a particular item. This screen can be displayed by pressing F5 on the Data Element Definitions screen (PROELD).

(1) If this search has more than can be displayed in one screen, the user may page down by pressing the F8 key, and page up by pressing the F7 key.

(2) To return to screen PROQIK (Quick Information) the user presses F3.

b. **Field Requirements.** The valid field entries are described below.

(1) Field Name:	OPTION
Entry Requirement:	Optional
Valid Entries:	“X”
Results:	Transfers to LQLN9401 for Data Element Definitions.

c. **Available Function Keys.** The following unique function keys may be used from this screen. All standardized FLIS function keys are available. The screen’s SCRNC D field or designated F keys must be used to exit this screen.

F5	Cancel	Transfers the user to the Data Element Definition screen (PROELD) without tagging.
F7	Page Up	Displays the prior page of the current DRN Name Index being viewed.
F8	Page Down	Displays the next page of the current DRN Name Index being viewed.

A.142 PROEDV - Edit/Validation Inquiry Screen

SCRNCD: PROEDV PROCEDURES DATE: 08-NOV-00
USERID: XXXXXX EDIT/VALIDATION INQUIRY TIME: 09:43

DATA-GROUP OR DIC: _____ RETURN CODE: ___ DRN: _____

<MSG 0492> ENTER CRITERIA AND PRESS <ENTER> KEY

F1=HELP	F2=CLEAR SCR	F3=PREV MENU	F4=MAIN MENU	F5=	F6=
F7=	F8=	F9=	F10=	F11=NOTES	F12=

a. Screen Explanation. This Inquiry screen displays descriptive information based upon the input value of data-group or DIC, Return Code, or DRN. This screen can be displayed by entering the following input values: Data-Group or DIC, Return Code, or DRN.

(1) If this search has more than can be displayed in one screen, the user may page down by pressing the F8 key, and page up by pressing the F7 key.

(2) To return to screen PROQIK (Quick Information) the user presses F3.

b. Field Requirements. The valid field entries are described below.

(1)	Field Name:	DIC of DATA-GROUP
	Entry Requirement:	Mandatory
	Valid Entries:	Numeric
	Results:	Edit/Validation criteria.

(2)	Field Name:	RETURN CODE
	Entry Requirement:	Mandatory
	Valid Entries:	Numeric
	Results:	Edit/Validation criteria.

(3)	Field Name:	DRN
	Entry Requirement:	Mandatory
	Valid Entries:	Numeric
	Results:	Edit/Validation

c. Available Function Keys. The following unique function keys may be used from this screen. All standardized FLIS function keys are available. The screen's SCRNCNCD field or designated F keys must be used to exit this screen.

F7	Page Up	Displays the prior page of the current Edit/Validation Inquiry being viewed.
F8	Page Down	Displays the next page of the current Edit/Validation Inquiry being viewed.
F11	Notes	Transfers the user to screen PROAD1 (Table Additional Replies) for Notes.

a. **Screen Explanation.** This Inquiry screen displays descriptive information based upon the input of a single return code. If the user does not know the return code for which they want information, he/she may press F5 for an index list of return codes. This screen can be displayed by entering a single return code.

(1) If this search has more data than can be displayed in one screen, the user may page down by pressing the F8 key, and page up by pressing the F7 key.

(2) To return to screen PROQIK (Quick Information) the user presses F3.

b. **Field Requirements.** The valid field entries are described below.

(1) Field Name:	RETURN CODE
Entry Requirement:	Optional
Valid Entries:	Two or three digit alphanumeric
Results:	Return Code definition.

c. **Available Function Keys.** The following unique function keys may be used from this screen. All standardized FLIS function keys are available. The screen's SCRNCN field or designated F keys must be used to exit this screen.

F2	Clear Scr	Erase any tagged items and repositions the cursor to the top of the screen.
F5	Index	Provides the user with an index list of Return Codes.
F7	Page Up	Displays the prior page of the current Return Code Inquiry being viewed.
F8	Page Down	Displays the next page of the current Return Code Inquiry being viewed.
F9	Definition	Transfers the user to screen PROAD2 (Table Additional Replies) for Definitions.
F11	Notes	Transfers the user to screen PROAD1 (Table Additional Replies) for Notes.

a. **Screen Explanation.** This Inquiry screen displays an index list of Return Codes with their definitions. The user should tag the appropriate field with an “X” and press enter. This screen can be displayed by pressing F5 on the Return Code Inquiry screen (PRORCI).

(1) If this search has more than can be displayed in one screen, the user may page down by pressing the F8 key, and page up by pressing the F7 key.

(2) To return to screen PROQIK (Quick Information) the user presses F3.

b. **Field Requirements.** The valid field entries are described below.

(1) Field Name:	OPTION
Entry Requirement:	Optional
Valid Entries:	“X”
Results:	Transfers to the Return Code Inquiry screen (PRORCI) for definition and instruction.

c. **Available Function Keys.** The following unique function keys may be used from this screen. All standardized FLIS function keys are available. The screen’s SCRNCD field or designated F keys must be used to exit this screen.

F5	Cancel	Transfers the user to the Return Code Inquiry (PRORCI) screen without tagging.
F7	Page Up	Displays the prior page of the current Return Code Index being viewed.
F8	Page Down	Displays the next page of the current Return Code Index being viewed.

A.145 PROFOR - DIC/Segment Format Screen

SCRNCD: PROFOR
USERID: XXXXXXX

PROCEDURES
DIC/ SEGMENT FORMAT

DATE: 08-NOV-00
TIME: 10:40

CHOOSE ONE OF THE APPROPRIATE FORMATS AND ENTER ALL APPLICABLE FIELDS-

ENTER DIC FORMAT:

DIC: ___ MEDIA/FORMAT: _____

OR ENTER SEGMENT FORMAT:

SEGMENT: _ MEDIA/FORMAT: _____

<MSG 2028> ALL APPLICABLE FIELDS MUST HAVE VALID ENTRIES

F1=HELP F2=CLEAR SCR F3=PREV MENU F4=MAIN MENU F5=INDEX F6=
F7= F8= F9= F10= F11= F12=

a. Screen Explanation. This Inquiry screen gives the user a choice of entering a DIC Format or segment. If the user does not know the correct DIC he/she should press F5. By pressing F5 the user can scan an index list of DICs. This screen can be displayed by positioning the cursor next to DIC/Segment Format on the Quick Information screen.

(1) To return to screen PROQIK (Quick Information) the user presses F3.

(2) The user may initiate DIC/Segment Format search by pressing F2 and entering a new DIC or Segment Format and pressing the ENTER key.

b. Field Requirements. The valid field entries are described below.

- | | | |
|-----|--------------------|---|
| (1) | Field Name: | DIC |
| | Entry Requirement: | Mandatory if segment not entered. |
| | Valid Entries: | 3 character alphabetic. |
| | Results: | Transfers the user to appropriate screen, based on the entry made. |
| (2) | Field Name: | MEDIA/FORMAT |
| | Entry Requirement: | Mandatory |
| | Valid Entries: | 8 character alphabetic. |
| | Results: | In combination with either DIC or Segment transfers the user to the appropriate screen. |
| (3) | Field Name: | SEGMENT |
| | Entry Requirement: | Mandatory if DIC not entered. |
| | Valid Entries: | 1 character alphanumeric. |
| | Results: | Transfers the user to appropriate screen, based on the entry made. |

c. Available Function Keys. The following unique function keys may be used from this screen. All standardized FLIS function keys are available. The screen's SCRNCNCD field or designated F keys must be used to exit this screen.

F5	Index	Provides the user with an index list of DICs and titles in title order.
----	-------	---

A.146 PRODIC - Document Identifier Code Format Screen

SCRNCD: PRODIC PROCEDURES DATE: 88-NOV-88
 USERID: XXXXXXX DOCUMENT IDENTIFIER CODE FORMAT TIME: 10:43

 DIC: KCD TITLE: CHANGE DATA ELEMENT(S)
 MEDIA/FORMAT: FIXED

FUNCTIONAL DESCRIPTION SECTION:
 D3A07 D3F04 D3F05 D3Y00

DRN	DATA ELEMENT/IDENTIFIER NAME	FORMAT	SEG CODE	INST/NOTES	CARD COLUMN
9098	DEFENSE INTEGRATED DATA SYSTEM OUTPUT HEADER	0010X	0	86	
3920	DOCUMENT IDENTIFIER CODE (DIC)	0003X	0	NC NK	1-3
1070	PACKAGE SEQUENCE NUMBER (PSN)	0003X	0	01 DA	4-6
2867	PRIORITY INDICATOR CODE	0001N	0	AB NC	7
4210	ORIGINATING ACTIVITY CODE	0002X	0	AB NC NL	8-9
3720	SUBMITTING ACTIVITY CODE	0002X	0	AB NCNL	10-11

** MORE **

<MSG 2024> TO SEE NOTES, TAG ONE DRN AND PRESS ENTER

F1=HELP F2=CLEAR SCR F3=PREV MENU F4=MAIN MENU F5=CANCEL F6=
 F7= F8=PAGE DOWN F9=DEFINITION F10=INSTRUCT F11=
 F12=

a. Screen Explanation. This Inquiry screen displays descriptive information pertaining to an input code value. This screen can be displayed by entering various DIC Format values on the DIC/Segment Format screen (PROFOR).

(1) If this search has more data than can be displayed in one screen, the user may page down by pressing the F8 key, and page up by pressing the F7 key.

(2) To return to screen PROQIK (Quick Information) the user presses F3.

b. Field Requirements. The valid field entries are described below.

(1) Field Name:	Tag
Entry Requirement:	Optional
Valid Entries:	'X'
Results:	Entering an 'X' and pressing ENTER will transfer the End-User to the appropriate screen, based on the selection.

c. Available Function Keys. The following unique function keys may be used from this screen. All standardized FLIS function keys are available. The screen's SCRNCN field or designated F keys must be used to exit this screen.

F2	Clear Scr	Transfers back to PROFOR.
F5	Cancel	Transfers back to PROFOR.
F7	Page Up	Displays the prior page of the current Inquiry Reply being viewed.
F8	Page Down	Displays the next page of the current Inquiry Reply being viewed.
F9	Definition	Transfers the user to screen PROINS (Document Identifier Code Format-Definition) for Definition.
F10	Instructions	Transfers the user to screen PROINS (Document Identifier Code Format-Instructions) for Instructions.

a. **Screen Explanation.** This Inquiry screen displays descriptive information pertaining to an input DIC Format value. This screen can be displayed by pressing F9 (Definition) or F10 (Instructions) from the Document Identifier Code Format screen (PRODIC).

(1) If this search has more data than can be displayed in one screen, the user may page down by pressing the F8 key, and page up by pressing the F7 key.

(2) To return to screen PRODIC (Document Identifier Code Format) the user presses F5.

b. **Field Requirements.** The fields on this screen are display fields and will display information based on the previous entries made.

c. **Available Function Keys.** The following unique function keys may be used from this screen. All standardized FLIS function keys are available. The screen's SCRNCNCD field or designated F keys must be used to exit this screen.

F5	Prev Scrn	Transfers back to PRODIC.
F7	Page Up	Displays the prior page of the current Inquiry Reply being viewed.
F8	Page Down	Displays the next page of the current Inquiry Reply being viewed.

A.148 PRONOT - INST/NOTES Screen

SCRNCD: PRONOT	PROCEDURES	DATE: 08-NOV-00
USERID: XXXXXXX	INST/NOTES	TIME: 10:51

 DIC: KCD TITLE: CHANGE DATA ELEMENT(S)
 MEDIA/FORMAT: FIXED DRN: 9098

NOTES

86 THE DRNS ASSIGNED TO IDENTIFY DLIS INPUT/OUTPUT HEADERS AND SEGMENT DATA CHAINS ARE INCLUDED FOR INFORMATION AND WILL NOT BE INPUT OR OUTPUT FOR THIS DIC. THE LENGTH PORTRAYED FOR THESE DRNS WILL BE AS FOLLOWS: A. SEGMENTS APPEARING IN BOTH FIXED AND VARIABLE DIC FORMATS WILL SHOW THE SEGMENT DRN LENGTH AS THE MINIMUM REQUIRED FOR THE VARIABLE FORMAT (E.G.; SEGMENT A, DRN 9100 - 00122). B. SEGMENTS APPEARING ONLY IN FIXED DIC FORMATS WILL USUALLY SHOW THE SEGMENT DRN LENGTH AS 80 POSITIONS OR MULTIPLES THEREOF (E.G.; SEGMENT 6, DRN 0153 - 0080X).

** END OF DATA **

<MSG 0573> PRESS PF5 TO RETURN TO PREVIOUS SCREEN

F1=HELP	F2=	F3=PREV MENU	F4=MAIN MENU	F5=PREV SCRN	F6=
F7=	F8=	F9=	F10=	F11=	F12=

a. **Screen Explanation.** This Inquiry screen displays descriptive information pertaining to an input DIC Format value. This screen can be displayed by tagging a DRN with an 'X' on the Document Identifier Code Format Screen (PRODIC).

(1) If this search has more data than can be displayed in one screen, the user may page down by pressing the F8 key, and page up by pressing the F7 key.

(2) To return to screen PRODIC (Document Identifier Code Format) the user presses F5.

b. **Field Requirements.** The fields on this screen are display fields and will display information based on the previous entries made.

c. **Available Function Keys.** The following unique function keys may be used from this screen. All standardized FLIS function keys are available. The screen's SCRNCDC field or designated F keys must be used to exit this screen.

F5	Prev Scrn	Transfers back to PRODIC.
F7	Page Up	Displays the prior page of the current Inquiry Reply being viewed.
F8	Page Down	Displays the next page of the current Inquiry Reply being viewed.

a. **Screen Explanation.** This Inquiry screen displays descriptive information pertaining to an input Segment Format value. This screen can be displayed by entering various input code values on the DIC/Segment Format Screen (PROFOR).

(1) If this search has more data than can be displayed in one screen, the user may page down by pressing the F8 key, and page up by pressing the F7 key.

(2) To return to screen PRODIC (Document Identifier Code Format) the user presses F3.

b. **Field Requirements.** The fields on this screen are display fields and will display information based on the previous entries made.

c. **Available Function Keys.** The following unique function keys may be used from this screen. All standardized FLIS function keys are available. The screen's SCRNCNCD field or designated F keys must be used to exit this screen.

F2	Clear Scr	Transfers back to PROFOR.
F5	Cancel	Transfers back to PROFOR.
F7	Page Up	Displays the prior page of the current Inquiry Reply being viewed.
F8	Page Down	Displays the next page of the current Index Inquiry being viewed.
F9	Definition	Transfers the user to screen PRONTE (Definition) for Definition.
F11	Notes	Transfers the user to screen PRONTE (Notes) for Notes.
F12	Parms	Transfers the user to screen PROPAR (Variable Length Segment Parameters) for Parameters.

a. **Screen Explanation.** This Inquiry screen displays an index list in alphabetic title order of all DICs. This screen can be displayed by pressing F5 on the DIC/Segment Format Screen (PROFOR).

(1) If this search has more data than can be displayed in one screen, the user may page down by pressing the F8 key, and page up by pressing the F7 key.

(2) To return to screen PROFOR (DIC/Segment Format Screen) the user presses F5.

b. **Field Requirements.** The fields on this screen are display fields and will display information based on the previous entries made.

c. **Available Function Keys.** The following unique function keys may be used from this screen. All standardized FLIS function keys are available. The screen's SCRNCN field or designated F keys must be used to exit this screen.

F5	Prev Scrn	Transfers back to PROFOR.
F7	Page Up	Displays the prior page of the current Inquiry Reply being viewed.
F8	Page Down	Displays the next page of the current Inquiry Reply being viewed.

a. **Screen Explanation.** This Inquiry screen displays descriptive information pertaining to an input Segment Format value. This screen can be displayed by pressing F9 (Definition) or F11 (Notes) on the Segment Format Screen (PROSEG).

(1) If this search has more data than can be displayed in one screen, the user may page down by pressing the F8 key, and page up by pressing the F7 key.

(2) To return to screen PROSEG (Segment Format) the user presses F5.

b. **Field Requirements.** The fields on this screen are display fields and will display information based on the previous entries made.

c. **Available Function Keys.** The following unique function keys may be used from this screen. All standardized FLIS function keys are available. The screen's SCRNCN field or designated F keys must be used to exit this screen.

F5	Prev Scrn	Transfers back to PROSEG.
F7	Page Up	Displays the prior page of the current Inquiry Reply being viewed.
F8	Page Down	Displays the next page of the current Inquiry Reply being viewed.

a. **Screen Explanation.** This Inquiry screen displays descriptive information pertaining to a Segment Format value. This screen can be displayed by pressing F12 on the Segment Format Screen (PROSEG).

(1) If this search has more data than can be displayed in one screen, the user may page down by pressing the F8 key, and page up by pressing the F7 key.

(2) To return to screen PROSEG (Segment Format) the user presses F5.

b. **Field Requirements.** The fields on this screen are display fields and will display information based on the previous entries made.

c. **Available Function Keys.** The following unique function keys may be used from this screen. All standardized FLIS function keys are available. The screen's SCRNCN field or designated F keys must be used to exit this screen.

F5	Prev Scrn	Transfers back to PROSEG.
F7	Page Up	Displays the prior page of the current Table Inquiry Reply being viewed.
F8	Page Down	Displays the next page of the current Table Inquiry Reply being viewed.

APPENDIX A - PART 4
PROCEDURE SCREEN LAYOUTS

This appendix provides a cross-reference of the inquiry screen codes (SCRNCD) and the screen title associated with that code.

<u>SCRNCD</u>	<u>SCREEN TITLE</u>
<u>CDM</u>	CDM Main Menu
<u>MRDINQ</u>	MRD Inquiry Menu
<u>MRDI1A</u>	MRC Requirements Table Inquiry Selection
<u>MRDI1B</u>	MRC Requirements Table Inquiry Results
<u>MRDI1C</u>	MRC Requirements Table Inquiry Detail
<u>MRDI1Q</u>	MRC Requirements Inquiry
<u>MRDI2A</u>	MRC Reply Table Inquiry Selection
<u>MRDI2B</u>	MRC Reply Table Inquiry Results
<u>MRDI2C</u>	MRC Reply Table Inquiry Detail
<u>MRDI3A</u>	Style Reply Table Inquiry Selection
<u>MRDI3B</u>	Style Reply Table Inquiry Results
<u>MRDI3C</u>	Style Reply Table Inquiry Detail
<u>MRDI4A</u>	ISAC Control Table Inquiry Selection
<u>MRDI4B</u>	ISAC Control Table Inquiry Results
<u>MRDI5A</u>	ISAC Reply Table Inquiry Selection
<u>MRDI5B</u>	ISAC Reply Table Inquiry Results
<u>MRDI5C</u>	ISAC Reply Table Inquiry Detail

a. **Screen Explanation:** This is the first screen when Characteristics Data Management is selected from the Main Menu. It allows the end user to select additional information about the listed sections.

b. **Field Requirements:** The valid entry is described below.

- | | |
|---------------------------|---|
| (1) Field Name: | MRD TABLE INQUIRY |
| Entry Requirement: | None |
| Valid Entries: | Tab to the selection field and press ENTER. |
| Results: | Transfers to the screen (MRDINQ). |

c. **Available Function Keys:** All standardized FLIS function keys are available.

A.154 MRDINQ - MRD Inquiry Menu Screen

SCRNCD: MRDINQ CHARACTERISTIC DATA MANAGEMENT DATE: 08-NOV-00
USERID: XXXXXXX MRD INQUIRY MENU TIME: 13:23:26

- _ MRC REQUIREMENTS TABLE (MRDI1A)
- _ MRC REPLY TABLE (MRDI2A)
- _ STYLE REPLY TABLE (MRDI3A)
- _ ISAC CONTROL TABLE (MRDI4A)
- _ ISAC REPLY TABLE (MRDI5A)

POSITION CURSOR TO SELECTION AND PRESS ENTER

F1=HELP F2= F3=PREV MENU F4=MAIN MENU F5= F6=
F7= F8= F9= F10= F11= F12=

a. Screen Explanation: This is the menu screen to select the different tables for Characteristics Data Management. It allows the end user to select additional information about the listed sections.

b. Field Requirements: The valid entry is described below.

- | | | |
|-----|--------------------|---|
| (1) | Field Name: | MRC REQUIREMENTS TABLE |
| | Entry Requirement: | None |
| | Valid Entries: | Tab to the selection field and press ENTER. |
| | Results: | Transfers to the screen (MRDI1A). |
| (2) | Field Name: | MRC REPLY TABLE |
| | Entry Requirement: | None |
| | Valid Entries: | Tab to the selection field and press ENTER. |
| | Results: | Transfers to the screen (MRDI2A). |
| (3) | Field Name: | STYLE REPLY TABLE |
| | Entry Requirement: | None |
| | Valid Entries: | Tab to the selection field and press ENTER. |
| | Results: | Transfers to the screen (MRDI3A). |
| (4) | Field Name: | ISAC CONTROL TABLE |
| | Entry Requirement: | None |
| | Valid Entries: | Tab to the selection field and press ENTER. |
| | Results: | Transfers to the screen (MRDI4A). |
| (5) | Field Name: | ISAC REPLY TABLE |
| | Entry Requirement: | None |
| | Valid Entries: | Tab to the selection field and press ENTER. |
| | Results: | Transfers to the screen (MRDI5A). |

c. Available Function Keys: All standardized FLIS function keys are available.

a. Screen Explanation: The inquiry screen gives the user a choice of entering one of the following search criteria: Master Requirement Code, MRC Usage Designator, FIIG, Keyword Group Code, Search Word(s) Keyword Modifier Statement or MRC Reply Table Code. This screen can be displayed by positioning the cursor next to MRC Requirements Table on the MRD Inquiry Menu screen.

(1) To return to screen MRDINQ (MRD Inquiry Menu), the user presses F3.

(2) The user may initiate another search by keying in another field.

b. Field Requirements: The valid entry is described below.

- | | | |
|-----|--------------------|---|
| (1) | Field Name: | MASTER REQUIREMENT CODE |
| | Entry Requirement: | Mandatory if other field entries are not used. |
| | Valid Entries: | 4 digit alpha code. |
| | Results: | Transfers the End-User to the appropriate screen, based on the entry made. |
| (2) | Field Name: | MRC USAGE DESIGNATOR |
| | Entry Requirement: | Mandatory if other field entries are not used. |
| | Valid Entries: | Special character (*) that identifies the MRCs in a U.S. FIIG. A blank space indicates an inactive MRC or a NATO MRC. |
| | Results: | Transfers the End-User to the appropriate screen, based on the entry made. |
| (3) | Field Name: | FIIG |
| | Entry Requirement: | Mandatory if other field entries are not used. |
| | Valid Entries: | Alphanumeric code which identifies a Federal Item Identification Guide. |
| | Results: | Transfers the End-User to the appropriate screen, based on the entry made. |
| (4) | Field Name: | KEYWORD GROUP CODE |
| | Entry Requirement: | Mandatory if other field entries are not used. |
| | Valid Entries: | Numeric code which identifies the group and the keyword requirement statement used. |
| | Results: | Transfers End-User to the appropriate screen, based on the entry made. |
| (5) | Field Name: | SEARCH WORD(s), KEYWORD MODIFIER STATEMENT |
| | Entry Requirement: | Mandatory if other field entries are not used. |

Valid Entries:	Keyword or a requirement statement for an assigned Master Requirement Code (MRC).
Results:	Transfers End-User to the appropriate screen, based on the entry made.
(6) Field Name:	MRC REPLY TABLE CODE
Entry Requirement:	Mandatory if other field entries are not used.
Valid Entries:	Alphanumeric code. Must be two alpha positions followed by two numeric positions.
Results:	Transfers End-User to the appropriate screen, based on the entry made.

c. Available Function Keys: All standardized FLIS function keys are available. The screen's SCRNCNCD field or designated F keys must be used to exit this screen.

**A.156 MRDI1B - MRC Requirements Table Inquiry Results
Screen**

SCRNCD: MRDI1B CHARACTERISTICS DATA MANAGEMENT DATE: 08-NOV-00
 USERID: XXXXXX MRC REQUIREMENTS TABLE INQUIRY RESULTS TIME: 13:28

MRC	U D	FIIG	GRP. CODE	KEYWORD MODIFIER STATEMENT	MRC REPLY TABLES
— AACQ	*		10	SPEED, PERIPHERAL	AA22
— AAFV	*		10	PLY RATING	
— AAGA	*		10	RESISTANCE, OZONE	AA29
— AAGB	*		10	RANGE IN DEG CELSIUS, TEMP, OPERATING	
— AAGK	*		10	SPEED, RATED	AA34
— AAGL	*		10	PRESSURE, INFLATION, MAXIMUM	AB18
— AAGM			10	RATING, LOAD, STATIC, MAXIMUM	AB16
— AAJJ	*		10	PRESSURE, OPERATING, MAXIMUM	AB18
— AAJK	*		10	TEMP IN DEG CELSIUS, OPERATING, MAXIMU	
— AAPA	*		10	VOLTAGE RATING IN VOLTS, FLASHOVER, DR	
— AAPB	*		10	VOLTAGE IN VOLTS, WITHSTANDING, DIELEC	
— AAPE	*		10	COEFFICIENT OF RESISTANCE IN PPM PER	

<MSG 0559> USE CURSOR TO SELECT DETAIL
 INQUIRY RESULTS 1 THRU 12 OF 120 (OF MORE)
 F1=HELP F2=CLEAR SCR F3=PREV MENU F4=MAIN MENU F5=INQ SEL F6=PRINT
 F7=PAGE UP F8=PAGE DOWN F9= F10= F11= F12=

a. **Screen Explanation:** This Inquiry Results screen displays descriptive results pertaining to an input code value. This screen can be displayed by entering various input code values on the MRC Requirements Table Inquiry Selection screen (MRDI1A).

(1) If this search has more data than can be displayed in one screen, the user may page down by pressing the F8 key, and page up by pressing the F7 key.

(2) To return to screen MRDINQ (MRD Inquiry Menu) the user presses F3.

b. **Field Requirements:** The valid entry is described below.

(1) Field Name:	TAG
Entry Requirement:	Mandatory
Valid Entries:	“X”
Results:	Entering an “X” and pressing Enter will transfer the End-User to the appropriate screen, based on the selection.

c. **Available Function Keys:** The following unique function keys may be used from this screen. All standardized FLIS function keys are available. The screen’s SCRNC D field or designated F keys must be used to exit this screen.

F2	Clear Screen	Erases any tagged items and repositions the cursor to the top of the screen.
F5	INQ SEL	Transfers back to MRDI1A.
F6	Print	Prints the current page to the designated printer.
F7	Page Up	Displays the prior page of the Inquiry Reply being viewed.
F8	Page Down	Displays the next page of the Inquiry Reply being viewed.

A.157 MRDI1C - MRC Requirements Table Inquiry Detail Screen

SCRNGD: MRDI1C CHARACTERISTICS DATA MANAGEMENT DATE: 08-NOV-00
USERID: XXXXXXX MRC REQUIREMENTS TABLE INQUIRY DETAIL TIME: 13:29

MRC	MODE CODE	U D	FIIG	STATUS IND. CD.	PRNT SKLTN CODE	GRP. CODE	REQUIREMENT REPLY INSTRUCTION
AAFU	A	*				10	1A MODE REPLY

KEYWORD MODIFIER STATEMENT	** MRC REPLY TABLES **
PLY RATING	LNPTH TBL CD LNPTH TBL CD
	0 NONE

INQUIRY 2 OF 120 (OF MORE)
F1=HELP F2=CLEAR SCR F3=PREV MENU F4=MAIN MENU F5=INQ SEL F6=PRINT
F7=PAGE UP F8=PAGE DOWN F9=DEFINITION F10= F11= F12=RETURN

a. **Screen Explanation:** The Inquiry Detail screen displays descriptive information to an input code value. This screen can be displayed by tagging items on the MRC Requirements Table Inquiry Results screen (MRDI1B).

(1) If this search has more data than can be displayed in one screen, the user may page down by pressing the F8 key, and page up by pressing the F7 key.

(2) To return to screen MRDINQ (MRD Inquiry Menu) the user presses F3.

b. **Field Requirements:** The fields on this screen are display fields and will display information based on previous entries made.

c. **Available Function Keys:** The following unique function keys may be used from this screen. All standardized FLIS function keys are available. The screen's SCRNCD field or designated F keys must be used to exit this screen.

F5	INQ SEL	Transfers back to MRDI1A.
F6	Print	Prints the current page to the designated printer.
F7	Page Up	Displays the prior page of the current Inquiry Reply being viewed.
F8	Page Down	Displays the next page of the current Inquiry Reply being viewed.
F9	Definition	Transfers the user to screen MRDI1Q (MRC Requirements Inquiry) for statement definitions.
F12	Return	Transfers the user back to screen MRDI1B (MRC Requirements Table Inquiry Results).

A.158 MRDI1Q - MRC Requirements Inquiry

SCRNCD: MRDI1Q CHARACTERISTICS DATA MANAGEMENT DATE: 07-JUN-01
USERID: XXXXXX MRC REQUIREMENTS INQUIRY TIME: 10:50

MRC: AAFU

REQUIREMENT STATEMENT DEFINITION

THE NUMERIC TERM PLY RATING IS USED AS AN INDEX OF STRENGTH AND DOES NOT NECESSARILY REPRESENT THE ACTUAL NUMBER OF CORD PLYS IN THE TIRE.

F1=HELP F2=CLEAR SCR F3=PREV MENU F4=MAIN MENU F5= F6=RETURN
F7= F8= F9= F10= F11= F12=

a. **Screen Explanation:** The Inquiry Definition screen displays the Requirement Statement Definition pertaining to the Master Requirements Code (MRC) the user entered on the MRC Requirements Table Inquiry Selection screen (MRDI1A). This screen can be displayed by pressing the F9 function key (Definition).

b. **Field Requirements:** The fields on this screen are display-only fields.

c. **Available Function Keys:** The following unique function keys may be used from this screen. The screen's SCRNCD field or designated F keys must be used to exit this screen.

F6 Return

Transfers back to MRDI1C.

A.159 MRDI2A - MRC Reply Table Inquiry Selection Screen

SCRNCD: MRDI2A CHARACTERISTICS DATA MANAGEMENT DATE: 15-NOV-00
USERID: XXXXXXX MRC REPLY TABLE INQUIRY SELECTION TIME: 11:15

REPLY TABLE CODE -----
CODED REPLY -----
SEARCH WORD(S) -----
DECODED REPLY STATEMENT -----

<MSG 0494> ENTER VALID CRITERIA

F1=HELP F2=CLEAR SCR F3=PREV MENU F4=MAIN MENU F5= F6=
F7= F8= F9= F10= F11= F12=

a. Screen Explanation: The inquiry screen gives the user a choice of entering one of the following search criteria: Reply Table Code, Coded Reply or Search Word(s) Decoded Reply Statement. This screen can be displayed by positioning the cursor next to MRC Reply Table on the MRD Inquiry Menu screen.

(1) To return to screen MRDINQ (MRD Inquiry Menu), the user presses F3.

(2) The user may initiate another search by keying in another field.

b. Field Requirements: The valid entry is described below.

- | | | |
|-----|--------------------|---|
| (1) | Field Name: | REPLY TABLE CODE |
| | Entry Requirement: | Mandatory if other field entries are not used. |
| | Valid Entries: | Four digit code in alphanumeric (two alphas followed by two numerics) format. |
| | Results: | Transfers the End-User to the appropriate screen, based on the entry made. |
| (2) | Field Name: | CODED REPLY |
| | Entry Requirement: | Mandatory if other field entries are not used. |
| | Valid Entries: | A data field of one to six alpha and/or numeric positions. |
| | Results: | Transfers the End-User to the appropriate screen, based on the entry made. |
| (3) | Field Name: | SEARCH WORD(s) DECODED REPLY STATEMENT |
| | Entry Requirement: | Mandatory if other field entries are not used. |
| | Valid Entries: | Alpha data field. |
| | Results: | Transfers the End-User to the appropriate screen, based on the entry made. |

c. Available Function Keys: All standardized FLIS function keys are available. The screen's SCRNCNCD field or designated F keys must be used to exit this screen.

A.160 MRDI2B - MRC Reply Table Inquiry Results Screen

SCRNCD: MRDI2B CHARACTERISTICS DATA MANAGEMENT DATE: 15-NOV-00
USERID: XXXXXXX MRC REPLY TABLE INQUIRY RESULTS TIME: 11:16

REPLY TABLE	CODED REPLY	STAT IND	DECODED REPLY STATEMENT
-- AA05	A		INCHES
-- AA22	F		INCHES PER MINUTE
-- AA22	G		INCHES PER SECOND
-- AA44	C		NPS, IN INCHES
-- AA44	D		BUS BAR WIDTH, IN INCHES
-- AA44	F		NOMINAL DIAMETER IN INCHES
-- AA44	N		SQUARE INCHES
-- AA56	A		INCH-OUNCES (OUNCE-INCHES)
-- AA56	G		INCH-POUNDS (POUND-INCHES)
-- AA95	E		INCHES OF MERCURY VACUUM
-- AA95	J		INCHES OF MERCURY
-- AB10	B	/D/	CUBIC INCHES

<MSG 0559> USE CURSOR TO SELECT DETAIL
INQUIRY RESULTS 1 THRU 12 OF 106
F1=HELP F2=CLEAR SCR F3=PREV MENU F4=MAIN MENU F5=INQ SEL F6=PRINT
F7=PAGE UP F8=PAGE DOWN F9= F10= F11= F12=

a. **Screen Explanation:** This Inquiry Results screen displays descriptive results pertaining to an input code value. This screen can be displayed by entering various input code values on the MRC Reply Table Inquiry Selection screen (MRDI2A).

(1) If this search has more data than can be displayed in one screen, the user may page down by pressing the F8 key, and page up by pressing the F7 key.

(2) To return to screen MRDINQ (MRD Inquiry Menu) the user presses F3.

b. **Field Requirements:** The valid entry is described below.

(1) Field Name:	TAG
Entry Requirement:	Mandatory
Valid Entries:	“X”
Results:	Entering an “X” and pressing Enter will transfer the End-User to the appropriate screen, based on the selection.

c. **Available Function Keys:** The following unique function Keys may be used from this screen. All standardized FLIS function keys are available. The screen’s SCRNCD field or designated F keys must be used to exit this screen.

F2	Clear Screen	Erases any tagged items and repositions the cursor to the top of the screen.
F5	INQ SEL	Transfers back to MRDI2A.
F6	Print	Prints the current page to the designated printer.
F7	Page Up	Displays the prior page of the Inquiry Reply being viewed.
F8	Page Down	Displays the next page of the Inquiry Reply being viewed.

A.161 MRDI2C - MRC Reply Table Inquiry Detail Screen

SCRNCD: MRDI2C CHARACTERISTICS DATA MANAGEMENT DATE: 15-NOV-00
USERID: XXXXXXX MRC REPLY TABLE INQUIRY DETAIL TIME: 11:16

REPLY TABLE	CODED REPLY	STATUS IND CD	DECODED REPLY STATEMENT
AA22	G		INCHES PER SECOND

INQUIRY RESULTS 3 OF 106
F1=HELP F2=CLEAR SCR F3=PREV MENU F4=MAIN MENU F5=INQ SEL F6=PRINT
F7=PAGE UP F8=PAGE DOWN F9= F10= F11= F12=RETURN

a. **Screen Explanation:** This Inquiry Detail screen displays descriptive results to an input code value. This screen can be displayed by tagging items on the MRC Requirements Table Inquiry Results screen (MRDI2B).

(1) If this search has more data than can be displayed in one screen, the user may page down by pressing the F8 key, and page up by pressing the F7 key.

(2) To return to screen MRDINQ (MRD Inquiry Menu) the user presses F3.

b. **Field Requirements:** The valid entry is described below.

(1) Field Name:	TAG
Entry Requirement:	Mandatory
Valid Entries:	“X”
Results:	Entering an “X” and pressing Enter will transfer the End-User to the appropriate screen, based on the selection.

b. **Field Requirements:** The fields on this screen are display fields and will display information based on previous entries made.

c. **Available Function Keys:** The following unique function keys may be used from this screen. All standardized FLIS function keys are available. The screen’s SCRNCD field or designated F keys must be used to exit this screen.

F2	Clear Screen	Erases any tagged items and repositions the cursor to the top of the screen.
F5	INQ SEL	Transfers back to MRDI1A.
F6	Print	Prints the current page to the designated printer.
F7	Page Up	Displays the prior page of the Inquiry Reply being viewed.
F8	Page Down	Displays the next page of the Inquiry Reply being viewed.
F12	Return	Transfers the user back to screen MRDI2B (MRC Requirements Table Inquiry Results).

A.162 MRDI3A - Style Reply Table Inquiry Selection Screen

SCRNCD: MRDI3A CHARACTERISTICS DATA MANAGEMENT DATE: 15-NOV-00
USERID: XXXXXXX STYLE REPLY TABLE INQUIRY SELECTION TIME: 13:02

FIIG -----
MRC -----
STYLE NUMBER -----
SEARCH WORD(S) -----
DECODED STYLE REPLY -----

<MSG 0492> ENTER CRITERIA AND PRESS <ENTER> KEY

F1=HELP F2=CLEAR SCR F3=PREV MENU F4=MAIN MENU F5= F6=
F7= F8= F9= F10= F11= F12=

a. **Screen Explanation:** The inquiry screen gives the user a choice of entering one of the following search criteria: FIIG, MRC, Style Number, Search Word(s) Decoded Style Reply. This screen can be displayed by positioning the cursor next to Style Reply Table on the MRD Inquiry Menu screen.

(1) To return to screen MRDINQ (MRD Inquiry Menu), the user presses F3.

(2) The user may initiate another search by keying in another field.

b. **Field Requirements:** The valid entry is described below.

- | | | |
|-----|--------------------|--|
| (1) | Field Name: | FIIG |
| | Entry Requirement: | Mandatory if other field entries are not used. |
| | Valid Entries: | A valid alphanumeric code which identifies a Federal Item Identification Guide (FIIG) in which the MRC will be used. |
| | Results: | Transfers the End-User to the appropriate screen, based on the entry made. |
| (2) | Field Name: | MRC |
| | Entry Requirement: | Mandatory if other field entries are not used. |
| | Valid Entries: | A four-digit alpha-code. |
| | Results: | Transfers the End-User to the appropriate screen, based on the entry made. |
| (3) | Field Name: | STYLE NUMBER |
| | Entry Requirement: | Mandatory if other field entries are not used. |
| | Valid Entries: | Alphanumeric character(s). May be up to five positions. |
| | Results: | Transfers the End-User to the appropriate screen, based on the entry made. |
| (4) | Field Name: | SEARCH WORD(s), DECODED STYLE REPLY |
| | Entry Requirement: | Mandatory if other field entries are not used. |
| | Valid Entries: | Alpha data field |
| | Results: | Transfers End-User to the appropriate screen, based on the entry made. |

c. **Available Function Keys:** All standardized FLIS function keys are available. The screen's SCRNCD field or designated F keys must be used to exit this screen.

A.163 MRDI3B - Style Reply Table Inquiry Results Screen

SCRNCD: MRDI3B CHARACTERISTICS DATA MANAGEMENT DATE: 15-NOV-00
USERID: XXXXXXX STYLE REPLY TABLE INQUIRY RESULTS TIME: 13:03

FIIG	MRC	STYLE NBR	DECODED STYLE REPLY STATEMENT
— A032A0	AAGR	F11	F11 METAL AND NONMETALLIC MATERIALS
— A032A0	AAGR	F27	F27 METAL AND NONMETALLIC MATERIALS
— A032A0	AAGR	F33	F33 SOLID SINGLE OR COMPOSITION NONMETALLIC MATERI
— A032A0	AAGR	F34	F34 METAL AND NONMETALLIC MATERIALS
— A032A0	AAGR	F38	F38 CLOTH AND SYNTHETIC RUBBER, NONMETALLIC MATERI
— A032A0	AAGR	F4	F4 METAL AND NONMETALLIC MATERIALS
— A032A0	AAGR	F40	F40 METAL AND NONMETALLIC MATERIALS
— A032A0	AAGR	F41	F41 METAL AND NONMETALLIC MATERIALS
— A032A0	AAGR	F42	F42 METAL AND NONMETALLIC MATERIALS
— A032A0	AAGR	F49	F49 METAL AND NONMETALLIC MATERIALS
— A032A0	AAGR	F52	F52 METAL AND NONMETALLIC MATERIALS
— A032A0	AAGR	F6	F6 METAL AND NONMETALLIC MATERIALS

<MSG 0559> USE CURSOR TO SELECT DETAIL
INQUIRY RESULTS 1 THRU 12 OF 16
F1=HELP F2=CLEAR SCR F3=PREV MENU F4=MAIN MENU F5=INQ SEL F6=PRINT
F7=PAGE UP F8=PAGE DOWN F9= F10= F11= F12=

a. **Screen Explanation:** This Inquiry Results screen displays descriptive results pertaining to an input code value. This screen can be displayed by entering various input code values on the Style Reply Table Inquiry Selection (MRDI3A) screen.

(1) If this search has more data than can be displayed in one screen, the user may page down by pressing the F8 key, and page up by pressing the F7 key.

(2) To return to screen MRDINQ (MRD Inquiry Menu) the user presses F3.

b. **Field Requirements:** The valid entry is described below.

(1) Field Name:	TAG
Entry Requirement:	Mandatory
Valid Entries:	“X”
Results:	Entering an “X” and pressing Enter will transfer the End-User to the appropriate screen, based on the selection.

b. **Field Requirements:** The fields on this screen are display fields and will display information based on previous entries made.

c. **Available Function Keys:** The following unique function keys may be used from this screen. All standardized FLIS function keys are available. The screen’s SCRNCD field or designated F keys must be used to exit this screen.

F2	Clear Screen	Erases any tagged items and repositions the cursor to the top of the screen.
F5	INQ SEL	Transfers back to MRDI3A.
F6	Print	Prints the current page to the designated printer.
F7	Page Up	Displays the prior page of the Inquiry Reply being viewed.
F8	Page Down	Displays the next page of the Inquiry Reply being viewed.

A.164 MRDI3C - Style Reply Table Inquiry Detail Screen

SCRNCD: MRDI3C CHARACTERISTICS DATA MANAGEMENT DATE: 15-NOV-00
USERID: XXXXXXX STYLE REPLY TABLE INQUIRY DETAIL TIME: 13:04

FIIG	MRC	STYLE NBR	DECODED STYLE REPLY STATEMENT
A032A0	AAGR	F34	F34 METAL AND NONMETALLIC MATERIALS

INQUIRY 4 OF 16
F1=HELP F2=CLEAR SCR F3=PREV MENU F4=MAIN MENU F5=INQ SEL F6=PRINT
F7=PAGE UP F8=PAGE DOWN F9= F10= F11= F12=RETURN

a. **Screen Explanation:** This Inquiry Detail screen displays descriptive results pertaining to an input code value. This screen can be displayed by tagging items on the MRC Requirements Table Inquiry Results (MRDI3B) screen.

(1) If this search has more data than can be displayed in one screen, the user may page down by pressing the F8 key, and page up by pressing the F7 key.

(2) To return to screen MRDINQ (MRD Inquiry Menu) the user presses F3.

b. **Field Requirements:** The fields on this screen are display fields and will display information based on previous entries made.

c. **Available Function Keys:** The following unique function keys may be used from this screen. All standardized FLIS function keys are available. The screen's SCRNCN field or designated F keys must be used to exit this screen.

F2	Clear Screen	Erases any tagged items and repositions the cursor to the top of the screen.
F5	INQ SEL	Transfers back to MRDI3A.
F6	Print	Prints the current page to the designated printer.
F7	Page Up	Displays the prior page of the Inquiry Reply being viewed.
F8	Page Down	Displays the next page of the Inquiry Reply being viewed.
F12	Return	Transfers the user back to screen MRDI3B (MRC Requirements Table Inquiry Results).

A.165 MRDI4A - ISAC Control Table Inquiry Selection Screen

SCRNCD: MRDI4A CHARACTERISTICS DATA MANAGEMENT DATE: 15-NOV-00
USERID: XXXXXXX ISAC CONTROL TABLE INQUIRY SELECTION TIME: 13:05

FIIG	-----
INC	-----
MRC	-----
ISAC REPLY TABLE CODE	-----
ISAC INDICATOR CODE	-

<MSG 0492> ENTER CRITERIA AND PRESS <ENTER> KEY

F1=HELP	F2=CLEAR SCR	F3=PREV MENU	F4=MAIN MENU	F5=	F6=
F7=	F8=	F9=	F10=	F11=	F12=

a. Screen Explanation: The inquiry screen gives the user a choice of entering one of the following search criteria: FIIG, INC, MRC, ISAC Reply Table Code or ISAC Indicator Code. This screen can be displayed by positioning the cursor next to ISAC Control Table on the MRD Inquiry Menu screen.

(1) To return to screen MRDINQ (MRD Inquiry Menu), the user presses F3.

(2) The user may initiate another search by keying in another field.

b. Field Requirements: The valid entry is described below.

- | | | |
|-----|--------------------|---|
| (1) | Field Name: | FIIG |
| | Entry Requirement: | Mandatory if other field entries are not used. |
| | Valid Entries: | A valid alphanumeric code which identifies a Federal Item Identification Guide (FIIG) in which the MRC will be used. |
| | Results: | Transfers the End-User to the appropriate screen, based on the entry made. |
| (2) | Field Name: | INC |
| | Entry Requirement: | Mandatory if other field entries are not used. |
| | Valid Entries: | A five-digit numeric code. |
| | Results: | Transfers the End-User to the appropriate screen, based on the entry made. |
| (3) | Field Name: | MRC |
| | Entry Requirement: | Mandatory if other field entries are not used. |
| | Valid Entries: | A four-digit alpha code. |
| | Results: | Transfers the End-User to the appropriate screen, based on the entry made. |
| (4) | Field Name: | ISAC REPLY TABLE CODE |
| | Entry Requirement: | Mandatory if other field entries are not used. |
| | Valid Entries: | A four-digit numeric code. |
| | Results: | Transfers End-User to the appropriate screen, based on the entry made. |
| (5) | Field Name: | ISAC INDICATOR CODE |
| | Entry Requirement: | Mandatory if other field entries are not used. |
| | Valid Entries: | The following are valid entries: Code "P" (optional ISAC), Code "M" (mandatory ISAC), Code "R" (relationship only), Code "W" (without) and a blank means no code and that ISAC is not applicable. |

Results: Transfers End-User to the appropriate screen,
based on the entry made.

c. Available Function Keys: All standardized FLIS function keys are available. The screen's SCRNCD field or designated F keys must be used to exit this screen.

A.166 MRDI4B - ISAC Control Table Inquiry Results Screen

SCRNCD: MRDI4B CHARACTERISTICS DATA MANAGEMENT DATE: 15-NOV-00
USERID: XXXXXXX ISAC CONTROL TABLE INQUIRY RESULTS TIME: 13:05

FIIG	INC	MRC	ISAC TABLE	ISAC IND CD
A032A0	04214	ADTQ	0252	
A032A0	04214	CQFM	0252	
A032A0	04214	MATT	0252	
A032A0	04214	MDCL	0252	
A032A0	04214	SFTT	0252	
A032A0	04214	STDC	0252	
A032A0	04250	CQFM	0252	
A032A0	04250	MATT	0252	
A032A0	04250	MDCL	0252	
A032A0	04250	SFTT	0252	
A032A0	04250	STDC	0252	
A032A0	04521	AQNE	0252	

INQUIRY RESULTS 1 THRU 12 OF 98
F1=HELP F2=CLEAR SCR F3=PREV MENU F4=MAIN MENU F5=INQ SEL F6=PRINT
F7=PAGE UP F8=PAGE DOWN F9= F10= F11= F12=

a. **Screen Explanation:** This Inquiry Results screen displays descriptive results pertaining to an input code value. This screen is displayed after making an item entry on the ISAC Control Table Inquiry Selection (MRDI4A) screen.

(1) If this search has more data than can be displayed in one screen, the user may page down by pressing the F8 key, and page up by pressing the F7 key.

(2) To return to screen MRDINQ (MRD Inquiry Menu) the user presses F3.

b. **Field Requirements:** The fields on this screen are display fields and will display information based on previous entries made.

c. **Available Function Keys:** The following unique function keys may be used from this screen. All standardized FLIS function keys are available. The screen's SCRNCD field or designated F keys must be used to exit this screen.

F2	Clear Screen	Erases any tagged items and repositions the cursor to the top of the screen.
F5	INQ SEL	Transfers back to MRDI4A.
F6	Print	Prints the current page to the designated printer.
F7	Page Up	Displays the prior page of the Inquiry Reply being viewed.
F8	Page Down	Displays the next page of the Inquiry Reply being viewed.

A.167 MRDI5A - ISAC Reply Table Inquiry Selection Screen

SCRNCD: MRDI5A CHARACTERISTICS DATA MANAGEMENT DATE: 15-NOV-00
USERID: XXXXXXX ISAC REPLY TABLE INQUIRY SELECTION TIME: 13:07

ISAC REPLY TABLE -----
ISAC REPLY CODE -----
SEARCH WORD(S) -----
DECODED ISAC REPLY STATEMENT -----

<MSG 0492> ENTER CRITERIA AND PRESS <ENTER> KEY

F1=HELP F2=CLEAR SCR F3=PREV MENU F4=MAIN MENU F5= F6=
F7= F8= F9= F10= F11= F12=

a. Screen Explanation: The inquiry screen gives the user a choice of entering one of the following search criteria: ISAC Reply Table, ISAC Reply Code or Search Word(s) Decoded ISAC Reply Statement. This screen can be displayed by positioning the cursor next to ISAC Reply Table on the MRD Inquiry Menu screen.

(1) To return to screen MRDINQ (MRD Inquiry Menu), the user presses F3.

(2) The user may initiate another search by keying in another field.

b. Field Requirements: The valid entry is described below.

- | | | |
|-----|--------------------|--|
| (1) | Field Name: | ISAC REPLY TABLE |
| | Entry Requirement: | Mandatory if other field entries are not used. |
| | Valid Entries: | A four-digit numeric code. |
| | Results: | Transfers the End-User to the appropriate screen, based on the entry made. |
| (2) | Field Name: | ISAC REPLY CODE |
| | Entry Requirement: | Mandatory if other field entries are not used. |
| | Valid Entries: | A three-digit alpha-numeric code. |
| | Results: | Transfers the End-User to the appropriate screen, based on the entry made. |
| (3) | Field Name: | SEARCH WORD(s), DECODED ISAC REPLY STATEMENT |
| | Entry Requirement: | Mandatory if other field entries are not used. |
| | Valid Entries: | A variable clear-text data field |
| | Results: | Transfers End-User to the appropriate screen, based on the entry made. |

c. Available Function Keys: All standardized FLIS function keys are available. The screen's SCRNCD field or designated F keys must be used to exit this screen.

A.168 MRDI5B - ISAC Reply Table Inquiry Results Screen

SCRNCD: MRDI5B CHARACTERISTICS DATA MANAGEMENT DATE: 15-NOV-00
USERID: XXXXXXX ISAC REPLY TABLE INQUIRY RESULTS TIME: 13:07

	ISAC RPLY TBL	ISAC CODED RPLY	DECODED ISAC REPLY STATEMENT
-	0005	1A	SINGLE COVERING MATERIAL
-	0005	1B	1ST COVERING MATERIAL
-	0005	1C	2ND COVERING MATERIAL
-	0005	1D	3RD COVERING MATERIAL
-	0005	1E	4TH COVERING MATERIAL
-	0005	1F	5TH COVERING MATERIAL

<MSG 0559> USE CURSOR TO SELECT DETAIL
INQUIRY RESULTS 1 THRU 6 OF 6
F1=HELP F2=CLEAR SCR F3=PREV MENU F4=MAIN MENU F5=INQ SEL F6=PRINT
F7=PAGE UP F8=PAGE DOWN F9= F10= F11= F12=

a. **Screen Explanation:** This Inquiry Results screen displays descriptive results pertaining to an input code value. This screen can be displayed by entering various input code values on the ISAC Reply Table Inquiry Selection (MRDI5A) screen.

(1) If this search has more data than can be displayed in one screen, the user may page down by pressing the F8 key, and page up by pressing the F7 key.

(2) To return to screen MRDINQ (MRD Inquiry Menu) the user presses F3.

b. **Field Requirements:** The valid entry is described below.

(1) Field Name:	TAG
Entry Requirement:	Mandatory
Valid Entries:	“X”
Results:	Entering an “X” and pressing Enter will transfer the End-User to the appropriate screen, based on the selection.

b. **Field Requirements:** The fields on this screen are display fields and will display information based on previous entries made.

c. **Available Function Keys:** The following unique function keys may be used from this screen. All standardized FLIS function keys are available. The screen’s SCRNCD field or designated F keys must be used to exit this screen.

F2	Clear Screen	Erases any tagged items and repositions the cursor to the top of the screen.
F5	INQ SEL	Transfers back to MRDI5A.
F6	Print	Prints the current page to the designated printer.
F7	Page Up	Displays the prior page of the Inquiry Reply being viewed.
F8	Page Down	Displays the next page of the Inquiry Reply being viewed.

A.169 MRDI5C - ISAC Reply Table Inquiry Detail Screen

SCRNCD: MRDI5C CHARACTERISTICS DATA MANAGEMENT DATE: 15-NOV-00
USERID: XXXXXXX ISAC REPLY TABLE INQUIRY DETAIL TIME: 13:08

ISAC RPLY TBL	ISAC CODED RPLY	DECODED ISAC REPLY STATEMENT
0005	1D	3RD COVERING MATERIAL

INQUIRY 4 OF 6
F1=HELP F2=CLEAR SCR F3=PREV MENU F4=MAIN MENU F5=INQ SEL F6=PRINT
F7=PAGE UP F8=PAGE DOWN F9= F10= F11= F12=RETURN

a. **Screen Explanation:** This Inquiry Detail screen displays descriptive results pertaining to an input code value. This screen can be displayed by tagging items on the ISAC Reply Table Inquiry Results (MRDI5B) screen.

(1) If this search has more data than can be displayed in one screen, the user may page down by pressing the F8 key, and page up by pressing the F7 key.

(2) To return to screen MRDINQ (MRD Inquiry Menu) the user presses F3.

b. **Field Requirements:** The fields on this screen are display fields and will display information based on previous entries made.

c. **Available Function Keys:** The following unique function keys may be used from this screen. All standardized FLIS function keys are available. The screen's SCRNCN field or designated F keys must be used to exit this screen.

F2	Clear Screen	Erases any tagged items and repositions the cursor to the top of the screen.
F5	INQ SEL	Transfers back to MRDI5A.
F6	Print	Prints the current page to the designated printer.
F7	Page Up	Displays the prior page of the Inquiry Reply being viewed.
F8	Page Down	Displays the next page of the Inquiry Reply being viewed.
F12	Return	Transfers the user back to screen MRDI5B (ISAC Reply Table Inquiry Results).

APPENDIX A - PART 5
LOLA STATISTICS

This appendix provides a cross-reference of the inquiry screen codes (SCRNCD) and the screen title associated with that code.

SCRNCD

STAMEN

LOLMTY

LOLMVW

SCREEN TITLE

LOLA Statistics

Statistics Counts by Type of Query

Statistics Counts by Inquiry Data Type

A.170 STAMEN - Statistics Menu

SCRNCD: STAMEN
USERID: XXXXXXX

LOLA
STATISTICS MENU

DATE: 27-NOV-00
TIME: 09:08:09

- _ COUNTS BY TYPE OF QUERY (LOLMTY)
- _ COUNTS BY INQUIRY DATA TYPE (LOLMUW)
- _ LOLA UPDATE STATISTICS (LOLUS1)

POSITION CURSOR TO SELECTION AND PRESS ENTER

F1=HELP	F2=	F3=PREV MENU	F4=MAIN MENU	F5=	F6=
F7=	F8=	F9=	F10=	F11=	F12=

a. Screen Explanation: This is the first screen when LOLA Statistics is selected from the LOLA Main Menu. It allows the End-User to request statistics by the selected functions.

b. Field Requirements: The valid entry is described below.

- | | | |
|-----|--------------------|--|
| (1) | Field Name: | COUNTS by TYPE of QUERY |
| | Entry Requirement: | None |
| | Valid Entries: | Tab to the selected field and press Enter. |
| | Results: | Transfers to the screen (LOLMTY). |
| (2) | Field Name: | COUNTS by INQUIRY DATA TYPE |
| | Entry Requirement: | None |
| | Valid Entries: | Tab to the selected field and press Enter. |
| | Results: | Transfers to the screen (LOLMVW). |
| (3) | Field Name: | LOLA UPDATE STATISTICS |
| | Entry Requirement: | None |
| | Valid Entries: | Tab to the selected field and press Enter. |
| | Results: | Transfers to the screen (LOLUS1). |

c. Available Function Keys: All standardized FLIS function keys are available. The screen's SCRND field or designated F keys must be used to exit this screen.

NOTE: LOLA Update Statistics are fully described in the LOLA update section of this manual.

A.171 LOLMTY - Statistics Counts By Type of Query

```

SCRNCD: LOLMTY                LOGISTICS ON-LINE ACCESS                DATE: 27-NOV-00
USERID: XXXXXXXX             STATISTICS COUNTS BY TYPE OF QUERY           TIME: 09:08
-----
DEPT: *_  ACTVTY: *_  JUL-DATE: 00332 THRU  _____  QUARTER: _  TYP: _
-----
CHAR SEARCH      FSG/FSC  ITEM NAME      AMMO CODE      MOE RULE      FREIGHT
      0              0              0              0              0
ITEM OF SUPPLY INQUIRY COUNTS BY THE FOLLOWING CATEGORIES:
NIIN      PN-INQ      CAGE-CD      CAGE-NAME      INC      ITEM-NAME      CAGE CD/PN
      0              0              0              0              0              0
PARTIAL PN      CAGE CD/PARTIAL PN      COMBINATION
      0              0              0
CAGE INQUIRY COUNTS BY THE FOLLOWING CATEGORIES:
CAGE-CODE  COMPANY-NAME  ZIP CODE  PHONE NUMBER  CEC  DUNS  ADP/CAO
      0              0              0              0              0              0
CONG-DIST  SIC-CD  SIC-ZIP  SIC-PHONE  TAX-ID  REPL-CAGE  ASSOC-CAGE
      0              0              0              0              0              0
COMPANY-ST  COMPANY-ZIP  COMPANY-PH  STREET-ZIP  STREET-PHONE  DEBAR-CD
      0              0              0              0              0              0
TOTAL INQUIRIES: 0
PRESS ENTER TO PROCESS TODAYS DATE OR CHANGE DATES AND PRESS ENTER

F1=HELP      F2=CLEAR SCR  F3=STAT MENU  F4=MAIN MENU  F5=
F7=          F8=          F9=          F10=         F11          F12=
  
```

a. Screen Explanation: This screen allows the End-User to perform a search for different types of statistics. The query responses include the following: Characteristics, FSG/FSC Item Name, Ammo Code, MOE Rule, Freight, NIIN, Part-Number Inquiry, CAGE Code, CAGE Name, INC, Item Name, CAGE Code/Part Number, Partial Part Number, CAGE Code/Partial Part Name and Combination. The responses to the CAGE Inquiry Counts are by the following categories: CAGE Code, Company Name, Zip Code, Phone Number, CEC, DUNS, ADP/CAO, Congressional District, SIC Code, SIC ZIP, SIC Phone, Tax ID, Replacement CAGE, Associated CAGE, Company Street, Company ZIP, Company Phone, Street Zip, Street Phone and Debarment Code. The total Inquires for all fields is also displayed.

(1) To return to screen STAMEN (Statistics Menu), the user presses F3.

(2) The user may initiate another search by keying in another field.

b. Field Requirements: Searches may be performed by a combination of fields or by a field with the julian date field. The julian date field must be filled in for any search. The valid field entries are described below.

- | | | |
|-----|--------------------|--|
| (1) | Field Name: | DEPT (Department) |
| | Entry Requirement: | Optional - to be used if searching for Department Statistics. |
| | Valid Entries: | Two-digit code. May be alpha, numeric or alphanumeric. Must enter a date or date range to perform search. |
| | Results: | Performs search and statistics are displayed. |
| (2) | Field Name: | ACTVTY (Activity) |
| | Entry Requirement: | Optional - to be used if searching for Activity Code Statistics. |
| | Valid Entries: | Two to eight digit code. May be alpha, numeric or alphanumeric. Must be entered with a date or date range to perform search. |
| | Results: | Performs search for the date entered and statistics are displayed. |
| (3) | Field Name: | JUL-DATE/THRU (Julian date) |
| | Entry Requirement: | Mandatory for the JUL-DATE. The THRU field is optional. |
| | Valid Entries: | Julian date for either field. This is a five digit entry with the year first and then the day (i.e., 00300). |
| | Results: | Performs search for the date entered and statistics are displayed. |
| (4) | Field Name: | QUARTER |

Entry Requirement:	Optional - to be used if searching for a specific quarter of statistics.
Valid Entries:	A one-digit numeric code (1-4). Must be entered with a date or date range to perform search.
Results:	Performs search and statistics are displayed.
(5) Field Name:	TYP (Type)
Entry Requirement:	Optional
Valid Entries:	A one-digit alpha or numeric code. Must be entered with a date or date range to perform search.
Results:	Performs search and statistics are displayed.

c. Available Function Keys: All standardized FLIS function keys are available. The screen's SCRNCNCD field or designated F keys must be used to exit this screen.

a. Screen Explanation: This screen allows the End-User to perform a search for different types of statistics. The query responses include the following: Basic Reference, CAGE/Supplier, ID, Reference Number, Freight, Coded Characteristics, Decoded Characteristics, MOE Coded, MOE Decoded, I&S, Standardization, Management/Phrase, Requisition, Packaging, Selected Elements and Transactions.

(1) To return to screen STAMEN (Statistics Menu), the user presses F3.

(2) The user may initiate another search by keying in another field.

b. Field Requirements: Searches may be performed by a combination of fields or by a field with the julian date field. The julian date field must be filled in for any search. The valid field entries are described below.

- | | | |
|-----|--------------------|--|
| (1) | Field Name: | DEPT (Department) |
| | Entry Requirement: | Optional - to be used if searching for Department Statistics. |
| | Valid Entries: | Two-digit code. May be alpha, numeric or alphanumeric. Must enter a date or date range to perform search. |
| | Results: | Performs search and statistics are displayed. |
| (2) | Field Name: | ACTIVITY |
| | Entry Requirement: | Optional - to be used if searching for Activity Code Statistics. |
| | Valid Entries: | Two to six digit code. May be alpha, numeric or alphanumeric. Must be entered with a date or date range to perform search. |
| | Results: | Performs search and statistics are displayed. |
| (3) | Field Name: | JULIAN DATE FROM |
| | Entry Requirement: | Mandatory for the From field. The THRU field is optional. |
| | Valid Entries: | Julian date for either field. This is a five-digit entry with the year first and then the day (i.e., 00300). |
| | Results: | Performs search for the date entered and statistics are displayed. |

c. Available Function Keys: All standardized FLIS function keys are available. The screen's SCRNCNCD field or designated F keys must be used to exit this screen.

F5	STATS by Type of Query	Transfers the End-User to the Statistics Counts By Type of Query screen
----	------------------------	---

Queries and searches will be by Julian date, either by a single date or by range of Julian date. (example: 97300) With the addition of four new fields, the user can query by any two of the fields, i.e. ACTIVITY CD (AC) and USER-ID or ACTIVITY CD and DOC CTR NBR, or DEPT CODE (DC) and DIC.

To clarify: user has to have at least ACTIVITY CD (AC) or DEPT and one other of the new fields. The only exception to that is that they can query by NIIN only, or they can query by ACTIVITY CD and DEPT only. Detailed search is only valid for 90 days, any data older than 90 days will only show counts by AC.

The new program/screen will count total approved and disapproved giving a grand total. Also it will count rows that have identical information and show that on the screen. As an error code if more fields are filled than allowed: ENTERED TOO MANY FIELDS FOR DATE-RANGE SEARCH.

For further Help put cursor on SCRNCNCD LOLUPD or any input fields ACTIVITY CD (AC), USER-ID, ACTIVITY CD, DOC CTR NBR, DEPT CODE and DIC and hit F1.

A.174 LOLPA1 - PACKAGING DATA SCREEN 1

SCRNCD: LOLPA1
USERID:

L O L A U P D A T E
PACKAGING DATA SCREEN 1

DATE: 18-DEC-02
TIME: 13:16

NSN 5965 000002010

DIC LPC

PACKAGING DATA SOURCE CODE -
PICA TO SICA CODE -
INTERMEDIATE CONTAINER QUAN _____
UNIT PACK WEIGHT _____
UNIT PACK SIZE _____
UNIT PACK CUBE _____
PACKAGING CATEGORY CODE _____
ITEM TYPE STORAGE CODE -
UNPACKAGED ITEM WEIGHT _____
UNPACKAGED ITEM DIMENSIONS _____
METHOD OF PRESERVATION CODE -
CLEANING AND DRYING PROCEDURE CODE -
PRESERVATION MATERIAL CODE -
WRAPPING MATERIAL CODE -
CUSHIONING AND DUNNAGE MATERIAL CODE -

<MSG 2578> ENTER DATA AND PRESS PF6 TO PROCESS

F1=HELP F2=CLEAR SCR F3=LOLA MENU F4=MAIN MENU F5=CANCEL F6=PROC SCREEN
F7= F8=PAGE DOWN F9=FILE DATA F10= F11= F12=PROC TRANS

4B

:00.1

05/09

A.175 LOLPA2 - PACKAGING DATA SCREEN 1

SCRNCD: LOLPA2
USERID:

L O L A U P D A T E
PACKAGING DATA SCREEN 2

DATE: 18-DEC-02
TIME: 13:27

NSN 5965 000002010

DIC LPC

THICKNESS OF CUSHIONING OR DUNNAGE CODE -
UNIT CONTAINER CODE -
INTERMEDIATE CONTAINER CODE -
UNIT CONTAINER LEVEL CODE -
SPECIAL MARKING CODE -
P R CODE FOR LEVEL A (MAXIMUM) PACKING -
P R CODE FOR LEVEL B (INTERMEDIATE) PACKING -
P R CODE FOR MINIMAL PACKING -
OPTIONAL PROCEDURE INDICATOR CODE -

SUPPLEMENTAL INS: _____

SPECIAL PACKAGING INSTRUCTION NUMBER _____

SPI REVISION -

SPI DATE _____

CONTAINER NATIONAL STOCK NUMBER _____

PACKAGED DESIGN ACTIVITY CODE _____

<MSG 2578> ENTER DATA AND PRESS PF6 TO PROCESS

F1=HELP F2=CLEAR SCR F3=LOLA MENU F4=MAIN MENU F5=CANCEL F6=PROC SCREEN
F7=PAGE UP F8= F9= F10= F11= F12=PROC TRANS

4B

0002

06/50

(1) PACKAGING DATA

Field SOURCE CODE

Name:

- | | |
|--------------------|---|
| Entry Requirement: | Hit PF1 for Help |
| Valid Entries: | See DoD 4100.39-M Vol.12 For valid reference, after input |
| Results: | The cursor will move to the next input field |
| (2) Field Name: | PRIMARY/SECONDARY INVENTORY CONTROL ACTIVITY CODE |
| Entry Requirement: | Hit PF1 for Help |
| Valid Entries: | See DoD 4100.39-M Vol.12 For valid reference, after input |
| Results: | The cursor will move to the next input field |
| (3) Field Name: | INTERMEDIATE CONTAINER QUANTITY |
| Entry Requirement: | Hit PF1 for Help |
| Valid Entries: | See DoD 4100.39-M Vol.12 For valid reference, after input |
| Results: | The cursor will move to the next input field |
| (4) Field Name: | UNIT PACK WEIGHT |
| Entry Requirement: | Hit PF1 for Help |
| Valid Entries: | See DoD 4100.39-M Vol.12 For valid reference, after input |
| Results: | The cursor will move to the next input field |
| (5) Field Name: | UNIT PACK SIZE |
| Entry Requirement: | Hit PF1 for Help |
| Valid Entries: | See DoD 4100.39-M Vol.12 For valid reference, after input |
| Results: | The cursor will move to the next input field |
| (6) Field Name: | UNIT PACK CUBE |
| Entry Requirement: | Hit PF1 for Help |
| Valid Entries: | See DoD 4100.39-M Vol.12 For valid reference, after input |
| Results: | The cursor will move to the next input field |
| (7) Field Name: | PACKAGING CATEGORY CODE |
| Entry Requirement: | Hit PF1 for Help |
| Valid Entries: | See DoD 4100.39-M Vol.12 For valid reference, after input |
| Results: | The cursor will move to the next input field |
| (8) Field Name: | ITEM TYPE STORAGE CODE |
| Entry Requirement: | Hit PF1 for Help |

- Valid Entries: See DoD 4100.39-M Vol.12 For valid reference, after input
- Results: The cursor will move to the next input field
- (9) Field Name: UNPACKAGED ITEM WEIGHT
- Entry Requirement: Hit PF1 for Help
- Valid Entries: See DoD 4100.39-M Vol.12 For valid reference, after input
- Results: The cursor will move to the next input field
- (10) Field Name: UNPACKAGED ITEM DIMENSIONS
- Entry Requirement: Hit PF1 for Help
- Valid Entries: See DoD 4100.39-M Vol.12 For valid reference, after input
- Results: The cursor will move to the next input field
- (11) Field Name: METHOD OF PRESERVATION CODE
- Entry Requirement: Hit PF1 for Help
- Valid Entries: See DoD 4100.39-M Vol.12 For valid reference, after input
- Results: The cursor will move to the next input field
- (12) Field Name: CLEANING AND DRYING PROCEDURE CODE
- Entry Requirement: Hit PF1 for Help
- Valid Entries: See DoD 4100.39-M Vol.12 For valid reference, after input
- Results: The cursor will move to the next input field
- (13) Field Name: PRESERVATION MATERIAL CODE
- Entry Requirement: Hit PF1 for Help
- Valid Entries: See DoD 4100.39-M Vol.12 For valid reference, after input
- Results: The cursor will move to the next input field
- (14) Field Name: WRAPPING MATERIAL CODE
- Entry Requirement: A valid CODE
- Valid Entries: A MODE CODE associated with the input MRC.
- Results: The cursor will move to the next input field
- (15) Field Name: CUSHIONING AND DUNNAGE MATERIAL CODE
- Entry Requirement: Hit PF1 for Help
- Valid Entries: See DoD 4100.39-M Vol.12 For valid reference, after input
- Results: The cursor will move to the next input field
- (16) Field Name: THICKNESS OF CUSHIONING OR DUNNAGE CODE
- Entry Requirement: Hit PF1 for Help

- Valid Entries: See DoD 4100.39-M Vol.12 For valid reference, after input
- Results: The cursor will move to the next input field
- (17) Field Name: UNIT CONTAINER CODE
- Entry Requirement: Hit PF1 for Help
- Valid Entries: See DoD 4100.39-M Vol.12 For valid reference, after input
- Results: The cursor will move to the next input field
- (18) Field Name: INTERMEDIATE CONTAINER CODE
- Entry Requirement: Hit PF1 for Help
- Valid Entries: See DoD 4100.39-M Vol.12 For valid reference, after input
- Results: The cursor will move to the next input field
- (19) Field Name: UNIT CONTAINER LEVEL CODE
- Entry Requirement: Hit PF1 for Help
- Valid Entries: See DoD 4100.39-M Vol.12 For valid reference, after input
- Results: The cursor will move to the next input field
- (20) Field Name: SPECIAL MARKING CODE
- Entry Requirement: Hit PF1 for Help
- Valid Entries: See DoD 4100.39-M Vol.12 For valid reference, after input
- Results: The cursor will move to the next input field
- (21) Field Name: LEVEL A PACKING REQUIREMENT CODE
- Entry Requirement: A valid CODE
- Valid Entries: A MODE CODE associated with the input MRC.
- Results: The cursor will move to the next input field
- (22) Field Name: LEVEL B PACKING REQUIREMENT CODE
- Entry Requirement: Hit PF1 for Help
- Valid Entries: See DoD 4100.39-M Vol.12 For valid reference, after input
- Results: The cursor will move to the next input field
- (23) Field Name: LEVEL C PACKING REQUIREMENT CODE
- Entry Requirement: Hit PF1 for Help
- Valid Entries: See DoD 4100.39-M Vol.12 For valid reference, after input
- Results: The cursor will move to the next input field
- (24) Field Name: OPTIONAL PROCEDURE INDICATOR CODE
- Entry Requirement: Hit PF1 for Help
- Valid Entries: See DoD 4100.39-M Vol.12 For valid reference, after input

- Results: The cursor will move to the next input field
(25) Field Name: SUPPLEMENTAL INSTRUCTIONS
Entry Requirement: Hit PF1 for Help
Valid Entries: See DoD 4100.39-M Vol.12 For valid reference, after input
- Results: The cursor will move to the next input field
(26) Field Name: SPECIAL PACKAGING INSTRUCTION (SPI) NUMBER
Entry Requirement: Hit PF1 for Help
Valid Entries: See DoD 4100.39-M Vol.12 For valid reference, after input
- Results: The cursor will move to the next input field
(27) Field Name: SPECIAL PACKAGING INSTRUCTION (SPI) REVISION
Entry Requirement: Hit PF1 for Help
Valid Entries: See DoD 4100.39-M Vol.12 For valid reference, after input
- Results: The cursor will move to the next input field
(28) Field Name: SPECIAL PACKAGING INSTRUCTION (SPI) DATE
Entry Requirement: Hit PF1 for Help
Valid Entries: See DoD 4100.39-M Vol.12 For valid reference, after input
- Results: The cursor will move to the next input field
(29) Field Name: CONTAINER NATIONAL STOCK NUMBER (NSN)
Entry Requirement: Hit PF1 for Help
Valid Entries: See DoD 4100.39-M Vol.12 For valid reference, after input
- Results: The cursor will move to the next input field
(30) Field Name: PACKAGING DESIGN ACTIVITY CODE
Entry Requirement: Hit PF1 for Help
Valid Entries: See DoD 4100.39-M Vol.12 For valid reference, after input
- Results: The cursor will move to the next input field
Results: Press F6 to save the data on this screen. Then either press F8 to submit another MRC or F12 to submit the transaction for processing. You must always use PF6 then PF12 when data is input on the screen, except when using PF6 then PF7 or PF8.

c. Available Function Keys. The following unique function keys may be used from the CHARACTERISTICS DATA screen. All standardized FLIS System function keys are avail-

able. Refer to Section [16.03.02.e](#) of this document.

F5	CANCEL	Cancels the current transaction and returns to the LOLA Update Main Menu.
F6	PROC SCREEN	Validate the data input on the screen. This key must be used prior to submitting the transaction.
F7	PAGE UP	Allows the User to view the previous Packaging DATA screen. Under this option the Data Displayed cannot be altered.
F8	PAGE DOWN	Allows user to view additional Packaging Data.
F9	FILE DATA	Displays Current Data for Packaging
F12	PROC TRANS	This will create the transaction and send the user to the next input screen/menu.

A.176 LOPAK1 - PACKAGING DATA SCREEN 1

SCRNCD: LOPAK1
USERID:

L O L A U P D A T E
PACKAGING DATA SCREEN 1

DATE: 18-DEC-02
TIME: 13:33

NSN 5965 000002010

DIC LCD

PACKAGING DATA SOURCE CODE (REQ)	-	-
PICA TO SICA CODE (REQUIRED FIELD)	-	-
INTERMEDIATE CONT QUANTITY	_____	_____
UNIT PACK WEIGHT	_____	_____
UNIT PACK SIZE	_____	_____
UNIT PACK CUBE	_____	_____
PACK CATEGORY CODE	_____	_____
ITEM TYPE STORAGE CODE	-	-
UNPACK ITEM WEIGHT	_____	_____
UNPACK ITEM DIMENSIONS	_____	_____
METHOD OF PRESERV CODE	-	-
CLEANING AND DRYING PROC CODE	-	-
PRESERVATION MATERIAL CODE	_____	_____
WRAPPING MATERIAL CODE	_____	_____

<MSG 2578> ENTER DATA AND PRESS PF6 TO PROCESS

F1=HELP F2=CLEAR SCR F3=LOLA MENU F4=MAIN MENU F5=CANCEL F6=PROC SCREEN
F7= F8= F9=FILE DATA F10=NEXT SCR F11= F12=PROC TRANS

4B

:02.3

07/42

(1) PACKAGING DATA

Field SOURCE CODE

Name:

Entry Requirement: Hit PF1 for Help
Valid Entries: See DoD 4100.39-M Vol.12 For valid reference, after input

Results: The cursor will move to the next input field

(2) Field Name: PRIMARY/SECONDARY INVENTORY CONTROL
ACTIVITY CODE

Entry Requirement: Hit PF1 for Help

Valid Entries: See DoD 4100.39-M Vol.12 For valid reference, after input

Results: The cursor will move to the next input field

(3) Field Name: INTERMEDIATE CONTAINER QUANTITY

Entry Requirement: Hit PF1 for Help

Valid Entries: See DoD 4100.39-M Vol. 12 For valid reference, after input

Results: The cursor will move to the next input field

(4) Field Name: UNIT PACK WEIGHT

Entry Requirement: Hit PF1 for Help

Valid Entries: See DoD 4100.39-M Vol.12 For valid reference, after input

Results: The cursor will move to the next input field

(5) Field Name: UNIT PACK SIZE

Entry Requirement: Hit PF1 for Help

Valid Entries: See DoD 4100.39-M Vol.12 For valid reference, after input

Results: The cursor will move to the next input field

(6) Field Name: UNIT PACK CUBE

Entry Requirement: Hit PF1 for Help

Valid Entries: See DoD 4100.39-M Vol.12 For valid reference, after input

Results: The cursor will move to the next input field

(7) Field Name: PACKAGING CATEGORY CODE

Entry Requirement: Hit PF1 for Help

Valid Entries: See DoD 4100.39-M Vol.12 For valid reference, after input

Results: The cursor will move to the next input field

(8) Field Name: ITEM TYPE STORAGE CODE

Entry Requirement: Hit PF1 for Help

- Valid Entries: See DoD 4100.39-M Vol.12 For valid reference, after input
- Results: The cursor will move to the next input field
- (9) Field Name: UNPACKAGED ITEM WEIGHT
- Entry Requirement: Hit PF1 for Help
- Valid Entries: See DoD 4100.39-M Vol.12 For valid reference, after input
- Results: The cursor will move to the next input field
- (10) Field Name: UNPACKAGED ITEM DIMENSIONS
- Entry Requirement: Hit PF1 for Help
- Valid Entries: See DoD 4100.39-M Vol.12 For valid reference, after input
- Results: The cursor will move to the next input field
- (11) Field Name: METHOD OF PRESERVATION CODE
- Entry Requirement: Hit PF1 for Help
- Valid Entries: See DoD 4100.39-M Vol.12 For valid reference, after input
- Results: The cursor will move to the next input field
- (12) Field Name: CLEANING AND DRYING PROCEDURE CODE
- Entry Requirement: Hit PF1 for Help
- Valid Entries: See DoD 4100.39-M Vol.12 For valid reference, after input
- Results: The cursor will move to the next input field
- (13) Field Name: PRESERVATION MATERIAL CODE
- Entry Requirement: Hit PF1 for Help
- Valid Entries: See DoD 4100.39-M Vol.12 For valid reference, after input
- Results: The cursor will move to the next input field
- (14) Field Name: WRAPPING MATERIAL CODE
- Entry Requirement: A valid CODE
- Valid Entries: A MODE CODE associated with the input MRC.
- Results: The cursor will move to the next input field
- (15) Field Name: CUSHIONING AND DUNNAGE MATERIAL CODE
- Entry Requirement: Hit PF1 for Help
- Valid Entries: See DoD 4100.39-M Vol.12 For valid reference, after input
- Results: The cursor will move to the next input field
- (16) Field Name: THICKNESS OF CUSHIONING OR DUNNAGE CODE
- Entry Requirement: Hit PF1 for Help

- Valid Entries: See DoD 4100.39-M Vol.12 For valid reference, after input
- Results: The cursor will move to the next input field
- (17) Field Name: UNIT CONTAINER CODE
- Entry Requirement: Hit PF1 for Help
- Valid Entries: See DoD 4100.39-M Vol.12 For valid reference, after input
- Results: The cursor will move to the next input field
- (18) Field Name: INTERMEDIATE CONTAINER CODE
- Entry Requirement: Hit PF1 for Help
- Valid Entries: See DoD 4100.39-M Vol.12 For valid reference, after input
- Results: The cursor will move to the next input field
- (19) Field Name: UNIT CONTAINER LEVEL CODE
- Entry Requirement: Hit PF1 for Help
- Valid Entries: See DoD 4100.39-M Vol.12 For valid reference, after input
- Results: The cursor will move to the next input field
- (20) Field Name: SPECIAL MARKING CODE
- Entry Requirement: Hit PF1 for Help
- Valid Entries: See DoD 4100.39-M Vol.12 For valid reference, after input
- Results: The cursor will move to the next input field
- (21) Field Name: LEVEL A PACKING REQUIREMENT CODE
- Entry Requirement: A valid CODE
- Valid Entries: A MODE CODE associated with the input MRC.
- Results: The cursor will move to the next input field
- (22) Field Name: LEVEL B PACKING REQUIREMENT CODE
- Entry Requirement: Hit PF1 for Help
- Valid Entries: See DoD 4100.39-M Vol.12 For valid reference, after input
- Results: The cursor will move to the next input field
- (23) Field Name: MINIMUM PACKING REQUIREMENT CODE
- Entry Requirement: Hit PF1 for Help
- Valid Entries: See DoD 4100.39-M Vol.12 For valid reference, after input
- Results: The cursor will move to the next input field
- (24) Field Name: OPTIONAL PROCEDURE INDICATOR CODE
- Entry Requirement: Hit PF1 for Help
- Valid Entries: See DoD 4100.39-M Vol.12 For valid reference, after input

- Results: The cursor will move to the next input field
- (25) Field Name: SPECIAL PACKAGING INSTRUCTION (SPI)
NUMBER
- Entry Requirement: Hit PF1 for Help
- Valid Entries: See DoD 4100.39-M Vol.12 For valid reference, after
input
- Results: The cursor will move to the next input field
- (26) Field Name: SPECIAL PACKAGING INSTRUCTION (SPI)
REVISION
- Entry Requirement: Hit PF1 for Help
- Valid Entries: See DoD 4100.39-M Vol.12 For valid reference, after
input
- Results: The cursor will move to the next input field
- (27) Field Name: SPECIAL PACKAGING INSTRUCTION (SPI)
DATE
- Entry Requirement: Hit PF1 for Help
- Valid Entries: See DoD 4100.39-M Vol.12 For valid reference, after
input
- Results: The cursor will move to the next input field
- (28) Field Name: CONTAINER NATIONAL STOCK NUMBER (NSN)
- Entry Requirement: Hit PF1 for Help
- Valid Entries: See DoD 4100.39-M Vol.12 For valid reference, after
input
- Results: The cursor will move to the next input field
- (29) Field Name: PACKAGING DESIGN ACTIVITY CODE
- Entry Requirement: Hit PF1 for Help
- Valid Entries: See DoD 4100.39-M Vol.12 For valid reference, after
input
- Results: The cursor will move to the next input field
- Results: Press F6 to save the data on this screen. Then
either press F8 to submit another MRC or F12 to
submit the transaction for processing. You must
always use PF6 then PF12 when data is input on
the screen, except when using PF6 then PF7 or
PF8.

c. Available Function Keys. The following unique function keys may be used from the CHARACTERISTICS DATA screen. All standardized DLIS Modernization System function keys are available. Refer to Section [16.03.02.e](#) of this document.

F5	CANCEL	Cancels the current transaction and returns to the LOLA Update Main Menu.
F6	PROC SCREEN	Validate the data input on the screen. This key must be used prior to submitting the transaction.
F7	PAGE UP	Allows the User to view the previous Packaging DATA screen. Under this option the Data Displayed cannot be altered.
F9	FILE DATA	Displays Current Data for Packaging
F10	NEXT SCRIN/PREV	Page up or down
F12	PROC TRANS	This will create the transaction and send the user to the next input screen/menu.

APPENDIX B - Error Messages and Recovery

This appendix details error and informational messages used by the LOLA application, identified by a unique four digit number (ID No.). The description or message text provides information as to the nature of an error or failure and any action to be taken. Also furnished is information regarding the source of the message (i.e., why the message has appeared) and any corrective action to be taken by the user.

- Message:** MOVE CURSOR TO DESIRED OPTION THEN PRESS <ENTER>
Source: Message received when viewing a new menu.
Corrective Action: None.
- Message:** INVALID OPTION
Source: When an invalid key for that screen is hit.
Corrective Action: None.
- Message:** OPTION NOT AVAILABLE AT THIS TIME
Source: From the Main Menu screen when an option is chosen and that option is not yet operational.
Corrective Action: None.
- Message:** CURSOR TO OPTION OR ENTER SEARCH CRITERIA
Source: Message received when viewing an Index screen.
Corrective Action: None. Message states that you need to move the cursor to the Index pick of your choice and then hit <ENTER> to view that selection or to use the Search field to find the desired data.
- Message:** MORE
Source: When more data exists.
Corrective Action: Press F8 (Page Down) to view data.
- Message:** TOP OF PAGE
Source: The user has pressed F7 (Page Up) and is at the top of the data currently being viewed.
Corrective Action: None.
- Message:** BOTTOM OF PAGE
Source: The user has pressed F8 (Page Down) and is at the bottom of the data currently being viewed.
Corrective Action: None.
- Message:** USE THE PF KEYS TO NAVIGATE THROUGH THE NEXT
Source: Initial message when entering a text screen.
Corrective Action: None.

9. **Message:** USE F7 TO SCROLL UP
Source: User pressed F7 (Page Up) and is already at top of data being viewed.
Corrective Action: None.
10. **Message:** FIRST RECORD
Source: User pressed F11 to view a previous record and is already at the first record found in the search.
Corrective Action: None.
11. **Message:** LAST RECORD
Source: User pressed F12 to view the next record and is already at the last record found in the search.
Corrective Action: None.
12. **Message:** INVALID SEARCH REQUEST XXXXXX REENTER SEARCH CRITERIA
Source: User entered an invalid character in the search field.
Corrective Action: Re-enter a valid search criteria; i.e., a word or group of words with no special characters or an equals sign followed by a number to search for a section (=xxxx).
13. **Message:** SECTION XXXXX NOT FOUND IN DATABASE
Source: When a section is requested with an equals sign and a section number (=3.1.1) and the requested section is not found on the database.
Corrective Action: Re-enter a new number or tab to the sections as they appear on the screen and press <ENTER>.
14. **Message:** NO ASSOCIATED DATA FOR THIS SECTION
Source: While in the Text screen, F5 was pressed and no Associated Data was found.
Corrective Action: None.
15. **Message ID No. and Description:** 0490 CALLED PROGRAM NOT YET OPERATIONAL
Source: The desired software unit is not yet operational.
Corrective Action: None.
- Message ID No. and Description:** 0491 NO MATCHES FOUND - ENTER NEW CRITERIA
Source: No matching data for has been found for the item selected.
Corrective Action: Enter new data or selection criteria.
17. **Message ID No. and Description:** 0492 ENTER CRITERIA AND PRESS <ENTERKEY>
Source: No selection data or selection criteria has been entered.
Corrective Action: Enter data or selection criteria to be used and press the <ENTER> key.
18. **Message ID No. and Description:** 0493 ENTER NEW CRITERIA AND PRESS <ENTER> KEY

- Source:** No item data/information has been found for the desired item.
Corrective Action: Enter new data or selection criteria to be used and press the <ENTER> key.
19. **Message ID No. and Description:** 0494 ENTER VALID CRITERIA
Source: Invalid data or selection criteria has been entered.
Corrective Action: Enter new data or selection criteria to be used.
20. **Message ID No. and Description:** 0495 PRESS <ENTER> KEY TO PROCESS
Source: Processing has not been initiated.
Corrective Action: Press the <ENTER> key.
21. **Message ID No. and Description:** 0496 PF KEY PRESSED IS NOT ACTIVE
Source: An F or PF key that is not active for the screen being used has been pressed.
Corrective Action: Select another PF key.
22. **Message ID No. and Description:** 0497 NOT AUTHORIZED TO VIEW DATA FOR HIGHLIGHTED FIELDS; RE-ENTER
Source: The requesting individual does not have proper authorization or clearance to view certain data/information as indicated by the highlighted fields on the screen.
Corrective Action: Press the <ENTER> key or re-enter appropriate data for another desired item.
23. **Message ID No. and Description:** 0498 ACCESS TO FSG/FSC ENTERED IS NOT AUTHORIZED; RE-ENTER
Source: The requesting individual does not have the proper authorization or clearance to access data/information for the selected FSG/FSC.
Corrective Action: Press the <ENTER> key or re-enter appropriate data for another desired item.
24. **Message ID No. and Description:** 0499 ACCESS TO CAGE CODE ENTERED IS NOT AUTHORIZED; RE-ENTER
Source: The requesting individual does not have the proper authorization or clearance to access data/information for the selected CAGE Code.
Corrective Action: Press the <ENTER> key or re-enter appropriate data for another desired item.
25. **Message ID No. and Description:** 0500 ACCESS TO NIIN ENTERED IS NOT AUTHORIZED; RE-ENTER
Source: The requesting individual does not have the proper authorization or clearance to access data/information for the selected NIIN.

- Corrective Action:** Press the <ENTER> key or re-enter appropriate data for another desired item.
26. **Message ID No. and Description:** 0501 ACCESS TO INC ENTERED IS NOT AUTHORIZED; RE-ENTER
Source: The requesting individual does not have the proper authorization or clearance to access data/information for the selected INC.
Corrective Action: Press the <ENTER> key or re-enter appropriate data for another desired item.
27. **Message ID No. and Description:** 0502 INC NOT FOUND - ENTER NEW CRITERIA
Source: No INC has been found for the desired item.
Corrective Action: Enter new data or selection criteria to be used.
28. **Message ID No. and Description:** 0503 ITEM NAME MUST HAVE AT LEAST 3 CHARACTERS; RE-ENTER
Source: The Item Name entered is less than the three character minimum required to locate it in the database.
Corrective Action: Enter at least three characters of the Item Name.
29. **Message ID No. and Description:** 0504 A COMPLETE INC MUST BE ENTERED; RE-ENTER
Source: A complete INC has not been entered.
Corrective Action: Enter a complete INC.
30. **Message ID No. and Description:** 0505 KEYWORD MUST HAVE AT LEAST 3 CHARACTERS; RE-ENTER
Source: The Keyword entered is less than the three character minimum required to locate it in the database.
Corrective Action: Enter at least three characters of the Keyword.
31. **Message ID No. and Description:** 0506 FIIG MUST HAVE AT LEAST 4-6 CHARACTERS; RE-ENTER
Source: The FIIG entered is less than the four character minimum required to locate it in the database.
Corrective Action: Enter at least four to six characters of the FIIG.
32. **Message ID No. and Description:** 0507 PN MUST HAVE AT LEAST 1 CHAR (ONLY CHAR CANNOT BE '?'; RE-ENTER
Source: No character has been entered to locate a PN in the database; if a single character is entered it cannot be a question mark (?).
Corrective Action: Enter at least one character of the PN.
33. **Message ID No. and Description:** 0508 A COMPLETE NUMERIC FSG OR FSC MUST BE ENTERED; RE-ENTER
Source: A complete numeric FSG or FSC has not been entered.
Corrective Action: Enter a complete numeric FSG or FSC.

34. **Message ID No. and Description:** 0509 A COMPLETE NIIN MUST BE ENTERED; RE-ENTER
Source: A complete NIIN has not been entered.
Corrective Action: Enter a complete NIIN.
35. **Message ID No. and Description:** 0510 IF A NIIN IS ENTERED, OTHER CRITERIA CANNOT BE ENTERED; RE-ENTER
Source: A NIIN, along with other criteria, has been entered for processing.
Corrective Action: Remove all other criteria except the NIIN.
36. **Message ID No. and Description:** 0511 BOTH CAGE CODE AND CAGE NAME CANNOT BE ENTERED; RE-ENTER
Source: Both a CAGE Code and the CAGE Name have been entered for processing.
Corrective Action: Enter either the CAGE Code or the CAGE Name, but not both.
37. **Message ID No. and Description:** 0512 BOTH INC AND ITEM NAME CANNOT BE ENTERED; RE-ENTER
Source: Both a INC and the Item Name have been entered for processing.
Corrective Action: Enter either the INC or the Item Name, but not both.
38. **Message ID No. and Description:** 0513 BOTH CAGE NAME AND ITEM NAME CANNOT BE ENTERED; RE-ENTER
Source: Both a CAGE Name and the Item Name have been entered for processing.
Corrective Action: Enter either the CAGE Name or the Item Name, but not both.
39. **Message ID No. and Description:** 0514 ENTER AT LEAST ONE CRITERIA AND PRESS <ENTER> KEY
Source: No criteria has been entered for processing.
Corrective Action: Enter at least one criteria and press the <ENTER> key.
40. **Message ID No. and Description:** 0515 ONLY ONE CRITERIA MAY BE ENTERED; RE-ENTER
Source: More than one criteria has been entered for processing.
Corrective Action: All but one of the criteria must be removed.
41. **Message ID No. and Description:** 0516 INVALID COMBINATION OF CRITERIA ENTERED; RE-ENTER
Source: The criteria entered is not compatible for processing.
Corrective Action: Remove incompatible criteria and attempt to re-process.

42. **Message ID No. and Description:** 0517 THIS NIIN IS PROPRIETARY PROTECTED; RE-ENTER
Source: The NIIN that has been entered or selected is a proprietary item.
Corrective Action: Select/enter a new NIIN.
43. **Message ID No. and Description:** 0518 CAGE NAME MUST HAVE AT LEAST 3 CHARACTERS; RE-ENTER
Source: The CAGE Name entered is less than the three character minimum required to locate it in the database.
Corrective Action: Enter at least three characters of the CAGE Name.
44. **Message ID No. and Description:** 0519 A COMPLETE CAGE CODE MUST BE ENTERED; RE-ENTER
Source: A complete CAGE Code has not been entered.
Corrective Action: Enter a complete CAGE Code.
45. **Message ID No. and Description:** 0520 PRESS APPROPRIATE PF KEY FOR THE PROCESSING DESIRED
Source: A F key has been selected that is not appropriate for the software unit/screen displayed.
Corrective Action: Select another F key.
46. **Message ID No. and Description:** 0521 PICK ONE OR MORE ITEMS AND PRESS APPROPRIATE PF KEY
Source: No item selection has been made.
Corrective Action: One or more items must be selected and the appropriate F key pressed for the software unit/screen in use.
47. **Message ID No. and Description:** 0522 NO ITEMS SELECTED - SELECT AT LEAST ONE ITEM
Source: No item selection has been made.
Corrective Action: At least one item must be selected.
48. **Message ID No. and Description:** 0523 PICK ONE OR MORE MRCs AND PRESS APPROPRIATE FUNCTION KEY
Source: No MRC selection has been made.
Corrective Action: One or more MRCs must be selected and the appropriate F key pressed for the software unit/screen in use.
49. **Message ID No. and Description:** 0524 NO MRCs SELECTED - SELECT AT LEAST ONE MRC
Source: No MRC selection has been made.
Corrective Action: At least one MRC must be selected.
50. **Message ID No. and Description:** 0525 SELECT AN FSG TITLE AND PRESS APPROPRIATE PF KEY
Source: No FSG Title selection has been made.
Corrective Action: An FSG Title must be selected and the appropriate F key pressed for the software unit/screen in use.

51. **Message ID No. and Description:** 0528 ENTER 'X' TO SELECT DATA VIEWS
Source: An 'X' has not been entered in the selection field.
Corrective Action: Place an 'X' in the selection field to view data for the appropriate item.
52. **Message ID No. and Description:** 0530 ENTER CHANGES - PRESS APPROPRIATE PF KEY TO CONTINUE
Source: Data changes have not been entered.
Corrective Action: Key in data changes and press the appropriate F key for the software unit/screen in use.
53. **Message ID No. and Description:** 0531 ENTER ONE CRITERIA AND PRESS <ENTER> KEY
Source: Criteria has not been entered.
Corrective Action: Key in criteria and press the <ENTER> key.
54. **Message ID No. and Description:** 0532 ENTER ONLY ONE CRITERIA; RE-ENTER
Source: More than one criteria has been entered.
Corrective Action: Remove all but one criteria and re-initiate processing.
55. **Message ID No. and Description:** 0533 ENTER 'C', 'P', OR 'D' FOR OUTPUT MEDIA; RE-ENTER
Source: A key other than 'C', 'P', or 'D' has been pressed in an effort to produce output.
Corrective Action: Select an output media by pressing either 'C'(CRT), 'P'(Printer), or 'D'(Download).
56. **Message ID No. and Description:** 0534 PRESS F6 TO PROCESS
Source: A key other than F6 has been pressed.
Corrective Action: Press the F6 key to initiate processing.
57. **Message ID No. and Description:** 0535 ACCESS TO FSG ENTERED IS NOT AUTHORIZED
Source: The requesting individual does not have the proper authorization or clearance to access data/information for the selected FSG.
Corrective Action: Enter another FSG.
58. **Message ID No. and Description:** 0536 ACCESS TO FSC ENTERED IS NOT AUTHORIZED
Source: The requesting individual does not have the proper authorization or clearance to access data/information for the selected FSC.
Corrective Action: Enter another FSC.
59. **Message ID No. and Description:** 0537 A COMPLETE NUMERIC FSG MUST BE ENTERED; RE-ENTER

- Source:** A complete numeric FSG has not been entered.
Corrective Action: Enter a complete numeric FSG.
60. **Message ID No. and Description:** 0538 A COMPLETE NUMERIC FSC MUST BE ENTERED; RE-ENTER
Source: A complete numeric FSC has not been entered.
Corrective Action: Enter a complete numeric FSC.
61. **Message ID No. and Description:** 0539 A VALID NUMERIC JULIAN DATE MUST BE ENTERED; RE-ENTER
Source: Invalid numbers have been entered or an improper format has been followed in placing data into the Date field.
Corrective Action: Check the data entered to see that it meets requirements for a Julian date.
62. **Message ID No. and Description:** 0540 'FROM' DATE CANNOT BE GREATER THAN 'TO' DATE; RE-ENTER
Source: The date value entered in the 'From' Date field is greater (has a higher value) than the date entered in the 'To' field.
Corrective Action: Enter a new (lower) date value in the 'From' Date field.
63. **Message ID No. and Description:** 0541 'FROM' DATE IS EARLIER THAN DATE RANGE; RE-ENTER
Source: A date value has been placed in the 'From' Date field that is less than the allowable (minimum) range value.
Corrective Action: Enter a new (higher) date value in the 'From' Date field.
64. **Message ID No. and Description:** 0542 'TO' DATE IS BEYOND DATE RANGE; RE-ENTER
Source: A date value has been placed in the 'To' Date field that is greater than the allowable (maximum) range value.
Corrective Action: Enter a new (lower) date value in the 'To' Date field.
65. **Message ID No. and Description:** 0543 CANNOT START SEARCH/INQUIRY WITH INC FOR NON-APPROVED ITEM NAME
Source: An attempt has been made to start Search/Inquiry with INC using an Item Name that has not been approved.
Corrective Action: Use an approved Item Name to start Search/Inquiry with INC.
66. **Message ID No. and Description:** 0544 ENTER 'C' OR 'P' FOR OUTPUT MEDIA; RE-ENTER
Source: An output media option has not been selected.
Corrective Action: Select one of the two available output media options.
67. **Message ID No. and Description:** 0545 CHARACTERISTICS DATA IS PROPRIETARY PROTECTED

Source: An attempt has been made to access proprietary Characteristic Data.

Corrective Action: None.

68. **Message ID No. and Description:** 0546 USE CURSOR SELECT TO CHOOSE TABLE FOR INQUIRY

Source: The cursor selection has not been properly used when attempting to choose a Table for Inquiry.

Corrective Action: Move the cursor to the item/table to be selected for Inquiry.

69. **Message ID No. and Description:** 0547 INVALID MRC USAGE DESIGNATOR

Source: An invalid MRC Usage Designator has been entered.

Corrective Action: Enter a new MRC Usage Designator.

70. **Message ID No. and Description:** 0548 INVALID MASTER REQUIREMENT CODE

Source: An invalid Master Requirement Code has been entered.

Corrective Action: Enter a new Master Requirement Code.

71. **Message ID No. and Description:** 0549 INVALID FIIG

Source: An invalid FIIG has been entered.

Corrective Action: Enter a new FIIG.

72. **Message ID No. and Description:** 0550 ONLY MRC USAGE OF 'T' ALLOWED WITH FIIG

Source: Usage of an MRC other than 'T' has been attempted with a FIIG.

Corrective Action: Key in a 'T' for MRC usage.

73. **Message ID No. and Description:** 0551 INVALID KEYWORD GROUP CODE

Source: An invalid Keyword Group Code has been entered.

Corrective Action: Enter a new Keyword Group Code.

74. **Message ID No. and Description:** 0552 INVALID MRD REPLY TABLE CODE

Source: An invalid MRD Reply Table Code has been entered.

Corrective Action: Enter a new MRD Reply Table Code.

75. **Message ID No. and Description:** 0553 TOO MANY CRITERIA SELECTIONS CHOSEN

Source: The number of criteria selections made has exceeded the maximum number allowed.

Corrective Action: Make new criteria selections.

76. **Message ID No. and Description:** 0554 PRINT JOB SUBMITTED

Source: Production of a hard copy has been sent to a printer.

Corrective Action: None.

77. **Message ID No. and Description:** 0555 PRINT JOB FAILED
Source: Production of a hard copy has failed.
Corrective Action: Initiate another print job.
78. **Message ID No. and Description:** 0556 THIS IS THE LAST PAGE
Source: An attempt was made to page down beyond the last page of available data.
Corrective Action: None.
79. **Message ID No. and Description:** 0557 SYSTEM ERROR
ACCESSING TSQ
Source: A system error resulted while accessing TSQ.
Corrective Action: None.
80. **Message ID No. and Description:** 0558 THIS IS THE FIRST PAGE
Source: An attempt was made to page up beyond the first page of available data.
Corrective Action: None.
81. **Message ID No. and Description:** 0559 USE CURSOR TO SELECT
DETAIL
Source: The cursor was not used when selecting the necessary detail.
Corrective Action: Move the cursor to make the detail selection.
82. **Message ID No. and Description:** 0560 CHOOSE A VALID PF KEY
Source: A F key that is not valid for the screen being used has been pressed.
Corrective Action: Select another Function key.
83. **Message ID No. and Description:** 0561 NO DATA TO PRINT
Source: A print command has been made for which there is no data available.
Corrective Action: None.
84. **Message ID No. and Description:** 0562 THIS IS THE LAST RECORD
Source: The last record in the file/table has been reached.
Corrective Action: None.
85. **Message ID No. and Description:** 0563 THIS IS THE FIRST
RECORD
Source: The first record in the file/table has been reached.
Corrective Action: None.
86. **Message ID No. and Description:** 0564 NO MATCHES FOUND -
NEXT AVAILABLE FSC IS SHOWN
Source: The search or inquiry has found no record matches in the database for a specified FSC(s); the next available FSC for which data matches are available is displayed.
Corrective Action: None.

87. **Message ID No. and Description:** 0565 NO MATCHES FOUND - STARTED WITH FIRST NEXT AVAILABLE FSG
Source: The search or inquiry has found no record matches in the database for a specified FSG(s); the next available FSG for which data matches are available is displayed.
Corrective Action: None.
88. **Message ID No. and Description:** 0566 NO FSC SELECTED - SELECT ONE FSC TO PROCESS
Source: No FSC has been selected for processing.
Corrective Action: Select an FSC.
89. **Message ID No. and Description:** 0567 NO INC SELECTED - SELECT ONE INC TO PROCESS
Source: No INC has been selected for processing.
Corrective Action: Select an INC.
90. **Message ID No. and Description:** 0568 NO FSG SELECTED - SELECT ONE FSG TO PROCESS
Source: No FSG has been selected for processing.
Corrective Action: Select an FSG.
91. **Message ID No. and Description:** 0569 NO MATCHES FOUND
Source: The search or inquiry has found no record matches in the database for a specified item(s).
Corrective Action: None.
92. **Message ID No. and Description:** 0570 NO CHANGED DATA FOUND
Source: The search or inquiry has found no data that has been changed.
Corrective Action: None.
93. **Message ID No. and Description:** 0571 CHANGED DATA FOR THIS INC DISPLAYED
Source: The changed or modified data values for the specified INC is displayed.
Corrective Action: None.
94. **Message ID No. and Description:** 0572 CHANGED DATA FOR THIS FSC DISPLAYED
Source: The changed or modified data values for the specified FSC is displayed.
Corrective Action: None.
95. **Message ID No. and Description:** 0573 PRESS F5 TO RETURN TO PREVIOUS SCREEN
Source: Use of the F5 key is the only appropriate means of exiting software units/screens LQLN331I and LQLN332I.
Corrective Action: Press F5.
96. **Message ID No. and Description:** 0574 PRESS F9 TO VIEW SELECTIONS OR F10 TO CANCEL/START OVER

Source: F9 and F10 are standard selection/processing keys for software unit/screen LOLOUT.

Corrective Action: Press either F9 or F10.

97. **Message ID No. and Description:** 0575 CAGE/SUPPLIER DATA NOT FOUND FOR NIIN BEING PROCESSED

Source: There is no CAGE/Supplier data found in the database for the specified NIIN.

Corrective Action: Select another NIIN.

98. **Message ID No. and Description:** 0576 IDENTIFICATION DATA NOT FOUND FOR NIIN BEING PROCESSED

Source: There is no Identification data found in the database for the specified NIIN.

Corrective Action: Select another NIIN.

99. **Message ID No. and Description:** 0577 REF/PART NUMBER DATA NOT FOUND FOR NIIN BEING PROCESSED

Source: There is no Ref/Part Number data found in the database for the specified NIIN.

Corrective Action: Select another NIIN.

100. **Message ID No. and Description:** 0578 FREIGHT DATA NOT FOUND FOR NIIN BEING PROCESSED

Source: There is no Freight data found in the database for the specified NIIN.

Corrective Action: Select another NIIN.

101. **Message ID No. and Description:** 0579 CODED CHARACTERISTICS NOT FOUND FOR NIIN BEING PROCESSED

Source: There are no Coded Characteristics found in the database for the specified NIIN.

Corrective Action: Select another NIIN.

102. **Message ID No. and Description:** 0580 MOE RULE DATA CODED NOT FOUND FOR NIIN BEING PROCESSED

Source: There is no MOE Rule Data Coded found in the database for the specified NIIN.

Corrective Action: Select another NIIN.

103. **Message ID No. and Description:** 0581 MOE RULE DATA DECODED NOT FOUND FOR NIIN BEING PROCESSED

Source: There is no MOE Rule Data Decoded found in the database for the specified NIIN.

Corrective Action: Select another NIIN.

104. **Message ID No. and Description:** 0582 I&S DATA NOT FOUND FOR NIIN BEING PROCESSED

Source: There is no I&S Data found in the database for the specified NIIN.

- Corrective Action:** Select another NIIN.
105. **Message ID No. and Description:** 0583 DECODED CHARACTERISTICS NOT FOUND FOR NIIN BEING PROCESSED
Source: There is no Decoded Characteristics found in the database for the specified NIIN.
Corrective Action: Select another NIIN.
106. **Message ID No. and Description:** 0584 STANDARDIZATION DATA NOT FOUND FOR NIIN BEING PROCESSED
Source: There is no Standardized Data found in the database for the specified NIIN.
Corrective Action: Select another NIIN.
107. **Message ID No. and Description:** 0585 MANAGEMENT DATA NOT FOUND FOR NIIN BEING PROCESSED
Source: There is no Management Data found in the database for the specified NIIN.
Corrective Action: Select another NIIN.
108. **Message ID No. and Description:** 0586 BASIC REFERENCE DATA NOT FOUND FOR NIIN BEING PROCESSED
Source: There is no Basic Reference Data found in the database for the specified NIIN.
Corrective Action: Select another NIIN.
109. **Message ID No. and Description:** 0587 REQUISITION DATA NOT FOUND FOR NIIN BEING PROCESSED
Source: There is no Requisition Data found in the database for the specified NIIN.
Corrective Action: Select another NIIN.
110. **Message ID No. and Description:** 0588 PHRASE DATA NOT FOUND FOR NIIN BEING PROCESSED
Source: There is no Phrase Data found in the database for the specified NIIN.
Corrective Action: Select another NIIN.
111. **Message ID No. and Description:** 0589 NO FSG NOTES FOUND
Source: There were no FSG Notes found in the database for the item selected.
Corrective Action: Select another item.
112. **Message ID No. and Description:** 0590 CHARACTER SEARCH CANNOT BE CONDUCTED ON ITEM SELECTED
Source: There is no Character Search Data found in the database for the selected item.
Corrective Action: Select another item.
113. **Message ID No. and Description:** 0591
Source: The character entered for Output Media is incorrect.

- Corrective Action:** Enter a 'C' or 'D' on the Output Media field.
114. **Message ID No. and Description:** 0593
Source: Item Name search cannot be conducted on an item whose Item Name Type Code is '1'
Corrective Action: Re-enter another Item Name to search.
115. **Message ID No. and Description:** 0594
Source: Item Name search cannot be conducted on an item whose Item Name Type Code is '4'
Corrective Action: Re-enter another Item Name to search.
116. **Message ID No. and Description:** 0595
Source: Item Name search cannot be conducted on an item whose Item Name Type Code is '4'
Corrective Action: Re-enter another Item Name to search.
117. **Message ID No. and Description:** 0596
Source: The user entered a non-approved Item Name for search.
Corrective Action: Use an approved name for searching.
118. **Message ID No. and Description:** 0597
Source: Multiple range was specified on an Item Pick list screen.
Corrective Action: Type no more than two (2) 'R' and press appropriate key for processing.
119. **Message ID No. and Description:** 0598
Source: There was only one range selected on an Item Pick list screen.
Corrective Action: Type no more than two (2) 'R' and press appropriate key for processing.
120. **Message ID No. and Description:** 0599
Source: A SAC selection was not made.
Corrective Action: Type an 'X' at the desired SAC and press F6.
121. **Message ID No. and Description:** 0600
Source: The user typed an invalid character before pressing F6.
Corrective Action: Type an 'X' on the reply values desired and press F6.
122. **Message ID No. and Description:** 0601
Source: The user typed an invalid character before pressing F6.
Corrective Action: Type an 'X' on the NIIN desired and press F6.
123. **Message ID No. and Description:** 0602
Source: A selection was not made on the Pick List screen.
Corrective Action: Type an 'X' on the desired NIIN(s) and press F6.
124. **Message ID No. and Description:** 0603
Source: An invalid key was pressed upon selection.
Corrective Action: Press the > key to select values within range.
125. **Message ID No. and Description:** 0604

- Source:** An unauthorized user ID was used to access proprietary data.
Corrective Action: The user ID being used must be authorized.
126. **Message ID No. and Description:** 0605
Source: There is no Decoded Data for the NIIN selected.
Corrective Action: None
127. **Message ID No. and Description:** 0606
Source: There is no Text Reply data for this Item Name Code.
Corrective Action: None
128. **Message ID No. and Description:** 0607
Source: Non-numeric character(s) was entered for the search.
Corrective Action: Enter numeric values only and press F6.
129. **Message ID No. and Description:** 0608
Source: An invalid or missing keyword search descriptor was entered in the Optional Reply area.
Corrective Action: Type 'DISPLAY' or 'STOP' to display data or 'PROCESS' and press F6 to initiate search.
130. **Message ID No. and Description:** 0609
Source: An invalid or missing keyword search descriptor was entered in the Optional Reply area.
Corrective Action: Type 'TO' or 'WITHIN' and press F6 to initiate a search.
131. **Message ID No. and Description:** 0610
Source: A missing keyword search descriptor was entered in the Optional Reply area.
Corrective Action: Enter 'TO' and press F6 to initiate search.
132. **Message ID No. and Description:** 0611
Source: A '?' was not entered as part of the search criteria.
Corrective Action: Type a '?' as a delimiter to initiate the search.
133. **Message ID No. and Description:** 0612
Source: A multiple decimal point was entered.
Corrective action: Re-type the numeric value with only one decimal point.
134. **Message ID No. and Description:** 0613
Source: A search cannot be made on a non-numeric value or a value entered without the '?' delimiter.
Corrective action: Re-enter search criteria and press appropriate key for processing.
135. **Message ID No. and Description:** 0614
Source: A '%' was not entered as part of the keyword search descriptor.
Corrective action: Type a percent sign '%' as part of the keyword search descriptor and press F6 to process.

136. **Message ID No. and Description:** 0615
Source: A minimum search value was specified but is greater than the maximum value displayed.
Corrective Action: Re-type the minimum search value specified and press F6 to process.
137. **Message ID No. and Description:** 0616
Source: An invalid or missing keyword search descriptor was entered in the Optional Reply area.
Corrective action: Correct the keyword search descriptor and press F6.
138. **Message ID No. and Description:** 0617
Source: An invalid keyword search descriptor was entered in the Optional Reply area.
Corrective action: Correct the keyword search descriptor and press F6.
139. **Message ID No. and Description:** 0618
Source: More than 3 keyword search descriptors were specified.
Corrective Action: A maximum of 3 keyword search descriptor is allowed. Re-enter and press appropriate key to proceed.
140. **Message ID No. and Description:** 0619
Source: A search value with less than 3 characters was specified.
Corrective Action: A minimum of 3 characters are needed to initiate a search. Re-enter and press appropriate key to process.
141. **Message ID No. and Description:** 0620
Source: A character, other than 'X', was used for selection.
Corrective Action: Type an 'X' and press appropriate key to process.
142. **Message ID No. and Description:** 0621
Source: An invalid key was pressed.
Corrective Action: Press <ENTER> to search by Cage Code or press F6 to initiate processing.
143. **Message ID No. and Description:** 0622
Source: Upon the end of a search, Items of Supplies were not found.
Corrective action: None.
144. **Message ID No. and Description:** 0623
Source: Upon the end of a search, Items of Supplies were not found.
Corrective Action: None.
145. **Message ID No. and Description:** 0624
Source: Either an INC was not selected or multiple INC were selected.
Corrective action: Specify only one INC and press F6 to process.
146. **Message ID No. and Description:** 0625
Source: Either a Cage Code was not selected or multiple Cage Code were selected.
Corrective action: Specify only one Cage Code and press F6 to process.

147. **Message ID No. and Description:** 0626
Source: Two values, (MINIMUM and MAXIMUM), are needed to process.
Corrective Action: Enter these values and press F6 to process.
148. **Message ID No. and Description:** 0627
Source: Invalid values were specified for a search.
Corrective Action: Correct values specified and press F6.
149. **Message ID No. and Description:** 0628
Source: An invalid keyword search descriptor was specified.
Corrective Action: Use any one or combinations of the keyword search descriptors displayed in the message and press F6 to process.
150. **Message ID No. and Description:** 0629
Source: A new Item Name or Keyword to start a new search was not specified.
Corrective Action: Specify a new Item Name or Keyword for a new search and press F6.
151. **Message ID No. and Description:** 0630 NO DATA FOUND FOR THIS VIEW
Source: There is no data for the selected NIIN and view.
Corrective Action: Choose another NIIN or view.
152. **Message ID No. and Description:** 0631 PICK ONE FSC AND PRESS APPROPRIATE F KEY
Source: More than one FSC was tagged.
Corrective Action: Enter an 'X' beside only one FSC and press desired F key.
153. **Message ID No. and Description:** 0632 PICK ONE FSG AND PRESS APPROPRIATE F KEY
Source: More than one FSG was tagged.
Corrective Action: Enter an 'X' beside only one FSG and press desired F key.
154. **Message ID No. and Description:** 0633 NO MATCH FOUND, PRESS F12 FOR TEXT REPLIES
Source: There is no non-text reply for selected INC and MRC but there are text replies for input criteria.
Corrective Action: Enter another INC or MRC, or press F12 to view text replies.
155. **Message ID No. and Description:** 0634 NOT AUTHORIZED TO VIEW DATA FOR CRITERIA SELECTED
Source: User does not have required authorization to display restricted data.
Corrective Action: Enter another set of input criteria.

156. **Message ID No. and Description:** 0635 MUST ENTER CAGE CODE FOR F9 TO FUNCTION
Source: User did not input a CAGE code and pressed F9 on LOLINQ screen.
Corrective Action: Enter a CAGE code and press F9 on LOLINQ.
157. **Message ID No. and Description:** 0636 CAGE CD CONTAINS NON-NUMERIC CHARACTERS; REENTER
Source: Input CAGE code contains alphas or special characters.
Corrective Action: Enter a CAGE code with only numeric characters.
158. **Message ID No. and Description:** 0637 FUTURES DATA AVAILABLE
Source: There are FUTURES data for input NIIN and view.
Corrective Action: Press F12 to view FUTURES data, if desired.
159. **Message ID No. and Description:** 0638 MORE FUTURES DATA AVAILABLE
Source: There are more FUTURES data for input NIIN and view and for a new set of EFFECTIVE DATE, DIC and ORIGINATING ACTIVITY.
Corrective Action: Press F12 to view next FUTURES data, if desired.
160. **Message ID No. and Description:** 0639 END OF FUTURE DATA
Source: There are no more FUTURES data for input NIIN and view, aside from previously displayed data.
Corrective Action: Press F12 to view current data, if desired.
161. **Message ID No. and Description:** 0640 NO FUTURES DATA AVAILABLE
Source: There are no FUTURES data for input NIIN and view.
Corrective Action: None.
162. **Message ID No. and Description:** 0641 MANAGEMENT STATISTICS BUSY; PLEASE TRY AGAIN
Source: A deadlock was encountered in storing or updating Management Statistics.
Corrective Action: Re-enter input criteria.
163. **Message ID No. and Description:** 0642 END OF PICK LIST
Source: NIIN currently viewed is the last of NIINS selected from one of the inquiry pick list screens.
Corrective Action: Press F9 to view the first selected NIIN or F6 to view previous NIIN, if desired.
164. **Message ID No. and Description:** 0643 SELECT ONLY ONE NIIN TO VIEW
Source: More than one NIIN was selected to view.
Corrective Action: Select only one NIIN.
165. **Message ID No. and Description:** 0644 END OF NIIN LIST

- Source:** NIIN currently viewed is the last of NIINS selected from characteristics search subsystem.
- Corrective Action:** Press F9 to view the first selected NIIN or F6 to view previous NIIN, if desired.
166. **Message ID No. and Description:** 0645 SELECT AN ITEM AND PRESS F9
- Source:** More than one NIIN was selected and F9 was pressed on the LOLCCD screen.
- Corrective Action:** Select only one NIIN and press F9 on LOLCCD.
167. **Message ID No. and Description:** 0646 PRESS <ENTER> TO DISPLAY REPLACEMENT CAGE DATA
- Source:** There is a replacement CAGE for the currently displayed CAGE code.
- Corrective Action:** Press <ENTER> to display data for the replacement CAGE, if desired.
168. **Message ID No. and Description:** 0647 PRESS <ENTER> TO DISPLAY CAGE DATA
- Source:** The current display data is for a replacement CAGE.
- Corrective Action:** Press <ENTER> to display data for the replaced CAGE, if desired.
169. **Message ID No. and Description:** 0648 PRESS <ENTER> TO DISPLAY ASSOCIATED/REPLACEMENT CAGE DATA
- Source:** There is a replacement or associated CAGE for the currently displayed CAGE code.
- Corrective Action:** Press <ENTER> to display data for the replacement or associated CAGE, if desired.
170. **Message ID No. and Description:** 0649 NO DECODED DATA RETRIEVED FOR THIS ITEM
- Source:** There is no decoded data for the selected NIIN.
- Corrective Action:** Choose another NIIN.
171. **Message ID No. and Description:** 0650 CHS UNAVAILABLE FOR ITEM WITH NO FIIG
- Source:** An ITEM NAME with no FIIG was selected and F10 was entered on the LOLINR screen.
- Corrective Action:** Choose an ITEM NAME with a FIIG and press F10 on LOLINR.
172. **Message ID No. and Description:** 0651 SELECT AT LEAST TWO ITEMS FOR PROCESSING
- Source:** Only one item was selected and F10 was entered on one of MRC reply selection screens.
- Corrective Action:** Tag at least two replies and press F10 on MRC reply selection screens.

173. **Message ID No. and Description:** 0652 PRESS <ENTER> TO DISPLAY REPLACEMENT CAGE DATA
Source: There is a replacement CAGE for the currently displayed CAGE code.
Corrective Action: Press <ENTER> to display data for the replacement CAGE, if desired.
174. **Message ID No. and Description:** 0653 PRESS <ENTER> TO DISPLAY CANCELED CAGE CODE
Source: The currently displayed data is for a replacement CAGE.
Corrective Action: Press <ENTER> to display data for the canceled CAGE, if desired.
175. **Message ID No. and Description:** 0654 INC MUST BE NUMERIC OR "G" THRU "Z" ON FIRST CHARACTER ONLY
Source: INC entered on LOLSRC or LOLCHG screen contains alpha "A" thru "F" or a special character on its first position or it contains non-numeric characters on the other positions.
Corrective Action: When entering an INC on LOLSRC and LOLCHG screens, input "G" thru "Z" or numeric character on the first position and only numeric characters on the other positions.
176. **Message ID No. and Description:** 0655 PRESS F12 FOR TEXT REPLIES
Source: There are text replies for selected INC and MRC.
Corrective Action: Press F12 to view text replies, if desired.
177. **Message ID No. and Description:** 0656 INC MUST BE NUMERIC
Source: INC entered on LOLINQ or LOLCHS screen contains alpha or special characters.
Corrective Action: When entering an INC on LOLINQ and LOLCHS screens, input only numeric characters.
178. **Message ID No. and Description:** 0657 CHANGED DATA FOR THIS FSG DISPLAYED
Source: Changed data for the input FSG and date range is displayed on screen.
Corrective Action: None.
179. **Message ID No. and Description:** 0658 SELECT ONE ITEM AND PRESS PF KEY
Source: More than one item was selected on LOLINR or LOLFGR screen.
Corrective Action: Enter only one item and press appropriate PF key on LOLINR and LOLFGR screens.
180. **Message ID No. and Description:** 0660 ENTER TABLE NUMBER OR TABLE NAME AND PRESS <ENTER> KEY

- Source:** Upon initial entry user is prompted to enter either criteria to search for a particular table.
Corrective Action: Enter either criteria to begin process.
181. **Message ID No. and Description:** 0664 ENTER ONE SELECTION AND PRESS <ENTER> KEY
Source: Upon initial entry user is prompted to enter either criteria to search for a particular table.
Corrective Action: Enter either criteria to begin process.
182. **Message ID No. and Description:** 0668 NIIN ENTERED MUST NOT CONTAIN NON-NUMERIC CHARACTER; RE-ENTER
Source: Input NIIN contains alphas or special characters on first two or last four positions.
Corrective Action: Enter a NIIN with numeric characters on first two and last four positions.
183. **Message ID No. and Description:** 0669 NO CHARACTERISTICS DATA FOUND FOR INC ENTERED - ENTER NEW CRITERIA
Source: There is no characteristics data for the desired INC.
Corrective Action: Enter or select another INC.
184. **Message ID No. and Description:** 0670 INC IS A CANCELED INC
Source: Input INC has been canceled.
Corrective Action: None.
185. **Message ID No. and Description:** 0671 ENTER AN "X" ON AN ITEM AND PRESS F6.
Source: The user did not tag at least one item when he pressed F6.
Corrective Action: Enter an "X" before at least one item and press F6.
186. **Message ID No. and Description:** 0672 SEARCH WORD(S) NOT FOUND IN KEYWORD FILE.
Source: There is no CAGE code in the CAGE keyword file for the requested CAGE keyword.
Corrective Action: Enter another CAGE keyword.
187. **Message ID No. and Description:** 0673 NIIN MUST NOT CONTAIN SPECIAL CHARACTERS; RE-ENTER.
Source: The input NIIN contains a special character.
Corrective Action: Enter a NIIN without special characters.
188. **Message ID No. and Description:** 0674 TOP OF PICK LIST.
Source: When user pressed F6 to view the previous NSN, NIIN currently viewed had been the first of NIINs selected from one of the inquiry pick list screens.
Corrective Action: Press F9 to view the next selected NIIN, F7 to view the previous page of data for the current NIIN or F8 to view the next page of data for the current NIIN.

189. **Message ID No. and Description:** 0675 BULLETIN ALREADY EXISTS, USE VIEW FUNCTION
Source: The Bulletin that is being added already exists in the database.
Corrective Action: Select another bulletin or delete bulletin first then add.
190. **Message ID No. and Description:** 0676 BULLETIN ADDED
Source: The Bulletin that was entered was added to the data base.
Corrective Action: None. Informational message.
191. **Message ID No. and Description:** 0677 BULLETIN DELETED
Source: The Bulletin requested for deletion has been deleted from the data base.
Corrective Action: None. Informational message.
192. **Message ID No. and Description:** 0678 BULLETIN FOR DELETION NOT FOUND
Source: The Bulletin requested for deletion does not exist in the database.
Corrective Action: Verify To, From, Date and Message No. and re-enter.
193. **Message ID No. and Description:** 0679 ENTER COMPLETE TO, FROM, DATE AND MESSAGE NO.
Source: To, From, Date and Message No. are all needed to process a Bulletin. All or any of the above data is missing.
Corrective Action: Type the missing data and press the <ENTER> key.
194. **Message ID No. and Description:** 0680 PRESS APPROPRIATE PF KEY OR <ENTER> TO PROCESS
Source: An invalid key was pressed.
Corrective Action: Press a valid key as defined on the screen.
195. **Message ID No. and Description:** 0681 PRESS F6 AGAIN TO VERIFY DELETE
Source: When a delete bulletin is requested the above message will be displayed as a confirmation of the delete.
Corrective Action: Press F6 again to confirm the delete.
196. **Message ID No. and Description:** 0682 F9 NOT ACTIVE ON A DELETE - PRESS F6 AGAIN OR F5 TO EXIT
Source: F9 was pressed on a delete bulletin function.
Corrective Action: Press F6 again to confirm the delete or F5 to exit.
197. **Message ID No. and Description:** 0683 PF6 NOT ACTIVE ON A CREATE - PRESS <ENTER> TO PROCESS
Source: <ENTER> was pressed on a create for bulletin board function.
Corrective Action: Press <ENTER> to process.
198. **Message ID No. and Description:** 0684 DAY MUST BE ENTERED AS NUMERIC

- Source:** The day portion of the DATE (DD-MMM-YY), was entered as non-numeric.
Corrective Action: Re-enter the date and press <ENTER> key.
199. **Message ID No. and Description:** 0685 DAY MUST BE GREATER THAN 1 AND LESS THAN 31
Source: An invalid day was entered. Valid days are 1 thru 31.
Corrective Action: Re-enter the data and press <ENTER> key.
200. **Message ID No. and Description:** 0686 USE A DASH (-) AS A DAY-MONTH SEPARATOR
Source: An invalid separator character was entered. Only a dash (-) is a valid day-month separator.
Corrective Action: Re-enter the data and press <ENTER> key.
201. **Message ID No. and Description:** 0687 MONTH MUST BE ENTERED AS JAN, FEB, MAR...
Source: An invalid month description was entered.
Corrective Action: Use the first three characters of each month.
202. **Message ID No. and Description:** 0688 USE A DASH (-) AS A MONTH-YEAR SEPARATOR
Source: An invalid separator character was entered. Only a (-) is a valid month-year separator.
Corrective Action: Re-enter the data and press <ENTER> key.
203. **Message ID No. and Description:** 0689 YEAR MUST BE NUMERIC
Source: Year is not numeric.
Corrective Action: Re-enter year and press <ENTER> key.
204. **Message ID No. and Description:** 0690 DAY ENTERED NOT VALID - CURRENT YEAR NOT A LEAP YEAR
Source: Day of the month is invalid. 29th is only valid on leap years.
Corrective Action: Re-enter day and press <ENTER> key.
205. **Message ID No. and Description:** 2000 FOR NEW SEARCH PRESS F2 AND ENTER NEW CRITERIA
Source: Upon searching criteria, user is prompted if a new search is desired.
Corrective Action: If new search desired, press F2 and enter new criteria.
206. **Message ID No. and Description:** 2001 PLACE AN "X" BY SELECTION AND PRESS <ENTER>
Source: From an index screen, tag a field with an "X" as the user is prompted if additional data is desired.
Corrective Action: Tag field with an "X" and press <ENTER> if additional information is desired.
207. **Message ID No. and Description:** 2002 PRESS F9 TO VIEW ADDITIONAL TITLES AND DEFINITIONS

Source: If additional titles and definitions are available user is prompted to press F9 to view them.

Corrective Action: Press F9 to view any additional titles and definitions.

208. **Message ID No. and Description:** 2003 END OF TITLES AND DEFINITIONS

Source: User has reached end of search, no additional titles or definitions are available.

Corrective Action: Enter new criteria and press appropriate key.

209. **Message ID No. and Description:** 2004 INVALID CHARACTER, RE-ENTER CRITERIA

Source: Character entered for processing is invalid.

Corrective Action: Enter new criteria and press appropriate key.

210. **Message ID No. and Description:** 2005 PLACE AN "X" BY ONLY ONE SELECTION AND PRESS <ENTER>

Source: More than one criteria was tagged with an <X> for processing.

Corrective Action: Tag only one selection and press <ENTER>.

211. **Message ID No. and Description:** 2006 ENTER DATA IN AT LEAST ONE FIELD

Source: The <ENTER> key was pressed without an input criteria being entered.

Corrective Action: Enter criteria and press <ENTER>.

212. **Message ID No. and Description:** 2007 ENTER DATA IN ONLY 1 FIELD

Source: Data was entered in more than one field for processing when only one field is valid.

Corrective Action: Enter only one criteria for processing.

213. **Message ID No. and Description:** 2008 NO TRAILER INFORMATION AVAILABLE FOR THE REQUESTED TABLE

Source: User has pressed F11 to get notes information and none exists for the current table.

Corrective Action: Press F5 to begin a new search.

214. **Message ID No. and Description:** 2009 NO DEFINITION AVAILABLE FOR REQUESTED TABLE

Source: User has pressed F9 to get definition information and none exists for the current table.

Corrective Action: Press F5 to begin a new search.

215. **Message ID No. and Description:** 2010 TABLE NUMBER MUST BE NUMERIC

Source: Table number entered was not numeric.

Corrective Action: Re-enter a numeric table number.

216. **Message ID No. and Description:** 2011 FOR NEW SEARCH, PRESS F5 AND ENTER NEW CRITERIA
Source: After the user has initiated a search, a prompt is issued to instruct the user to enter a new criteria and press F5.
Corrective Action: If a new search is desired, press F5 and enter a new criteria.
217. **Message ID No. and Description:** 2014 NO MAINT OR NOTIF DATA AVAILABLE PRESS F12 FOR NEXT PART
Source: No maintenance or notification data is available for this activity code (Table 104).
Corrective Action: Press F12 for next part within Table 104.
218. **Message ID No. and Description:** 2015 NO MAINT DATA AVAILABLE PRESS F6 FOR NOTIF DATA
Source: No maintenance data exists for this activity code (Table 104).
Corrective Action: Press F6 for notification data.
219. **Message ID No. and Description:** 2017 ***IMPORTANT** - SEE NOTES (F11), F2 FOR NEW SEARCH CRITERIA
Source: When user enters criteria and receives desired information, a prompt appears instructing the user that notes are accessible using F11.
Corrective Action: Press F11 for notes information or F2 to begin a new search.
220. **Message ID No. and Description:** 2018 - ENTER TEXT CHANGES OR PRESS (F5) TO CANCEL
Source: Bulletin was previously created and user can enter changes.
Corrective Action: None.
221. **Message ID No. and Description:** 2019 - TEXT CHANGES ACCEPTED
Source: Bulletin changes were applied.
Corrective Action: None.
222. **Message ID No. and Description:** 2024 - TO SEE NOTES, TAG ONE DRN AND PRESS <ENTER>
Source: Prompt upon entering a valid DIC Format and obtaining desired results (SCRNCD-PRODIC).
Corrective Action: If user wants to view notes, tag one DRN and press <ENTER> to process.
223. **Message ID No. and Description:** 2025 - NO DEFINITION DATA ASSOCIATED WITH DIC FORMAT SELECTED
Source: No definition data was found for the processed DIC format.
Corrective Action: Press F5 to return to previous screen.
224. **Message ID No. and Description:** 2026 - NO INSTRUCTIONS DATA ASSOCIATED WITH DIC FORMAT SELECTED
Source: No instructions data was found for the processed DIC format.

- Corrective Action:** Press F5 to return to previous screen.
225. **Message ID No. and Description:** 2027 - NO NOTES DATA ASSOCIATED WITH SEGMENT FORMAT SELECTED
Source: No notes data was found for the processed segment format.
Corrective Action: Press F5 to return to previous screen.
226. **Message ID No. and Description:** 2028 - ALL APPLICABLE FIELDS MUST HAVE VALID ENTRIES
Source: Upon initial entry into sub-system (SCREEN CD- PROFOR).
Corrective Action: Enter valid criteria for processing.
227. **Message ID No. and Description:** 2029 - DIC FORMAT NOT FOUND, ENTER A NEW FORMAT AND PRESS <ENTER>
Source: Invalid DIC was entered for processing.
Corrective Action: Enter new DIC Format and press <ENTER>.
228. **Message ID No. and Description:** 2030 - SEGMENT FORMAT NOT FOUND, ENTER A NEW FORMAT AND PRESS <ENTER>
Source: Invalid segment was entered for processing.
Corrective Action: Enter new segment format and press <ENTER>.
229. **Message ID No. and Description:** 2031 - INCORRECT MEDIA/FORMAT ENTERED, MUST BE EITHER FIXED OR VARIABLE
Source: Incorrect Media/Format was entered.
Corrective Action: Enter new media/Format either fixed or variable.
230. **Message ID No. and Description:** 2032 - NO DEFINITION DATA ASSOCIATED WITH SEGMENT FORMAT SELECTED
Source: No definition data was found for the processed segment format.
Corrective Action: Press F5 to return to previous screen.