

CHAPTER 9: BUILT-IN FURNISHINGS AND EQUIPMENT

901 General

901.1 Scope. Built-in furnishings and equipment required to be *accessible* shall comply with the applicable provisions of this chapter.

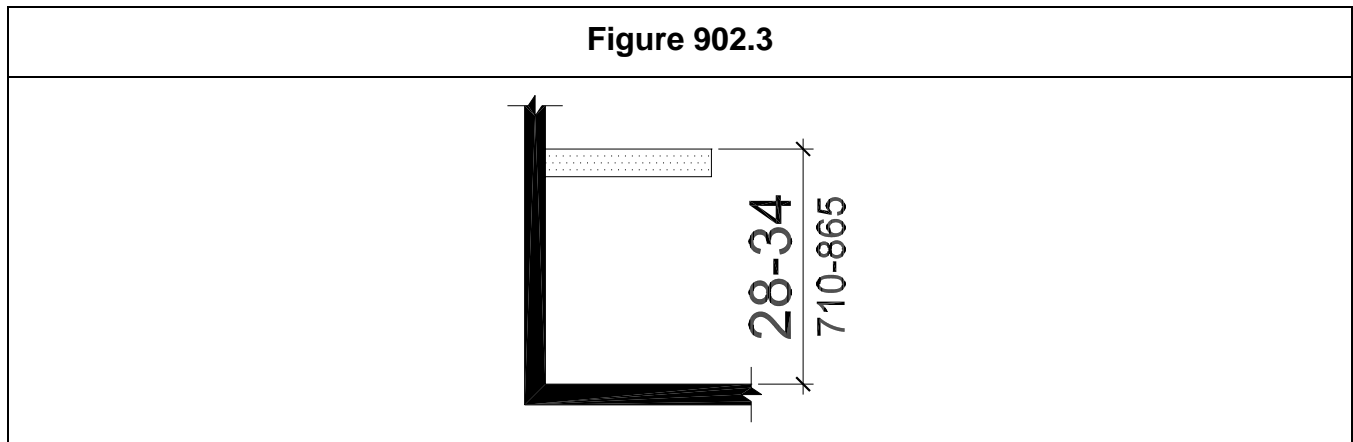
902 Dining Surfaces and Work Surfaces

902.1 General. Dining surfaces and work surfaces required to be *accessible* shall comply with 902.2 and 902.3.

EXCEPTION: Dining surfaces and work surfaces for *children's use* shall be permitted to comply with 902.4.

902.2 Clear Floor or Ground Space. A clear floor *space* complying with 305 positioned for a forward approach shall be provided. Knee and toe clearance complying with 306 shall be provided.

902.3 Height. The tops of dining surfaces and work surfaces shall be 28 inches (710 mm) minimum to 34 inches (865 mm) maximum above the floor or ground.



902.4 Dining Surfaces and Work Surfaces for Children's Use. *Accessible* dining surfaces and work surfaces for *children's use* shall comply with 902.4.

EXCEPTION: Dining surfaces and work surfaces that are used primarily by children ages 5 and younger shall not be required to comply with 902.4 where a clear floor or ground *space* complying with 305 positioned for a parallel approach is provided.

902.4.1 Clear Floor or Ground Space. A clear floor *space* complying with 305 positioned for forward approach shall be provided. Knee and toe clearance complying with 306 shall be provided, except that knee clearance 24 inches (610 mm) minimum above the floor or ground shall be permitted.

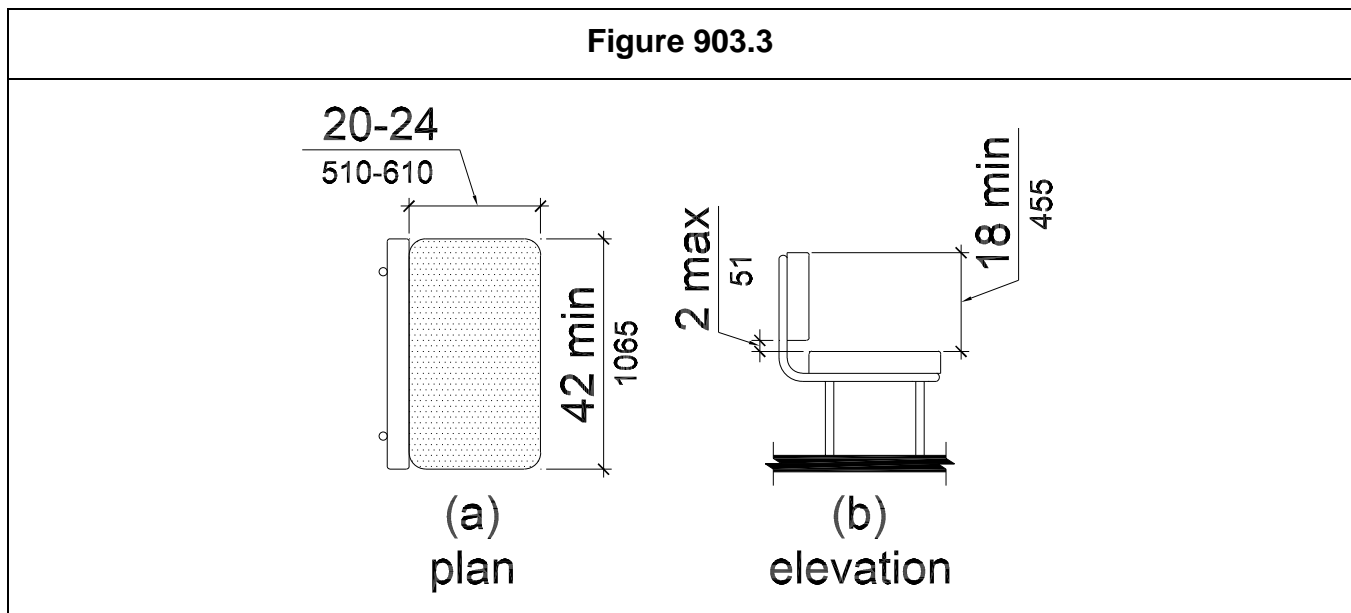
902.4.2 Height. The tops of tables and counters shall be 26 inches (660 mm) minimum and 30 inches (760 mm) maximum above the floor or ground.

903 Benches

903.1 General. Benches required to be *accessible* shall comply with 903.

903.2 Clear Floor or Ground Space. Clear floor or ground *space* complying with 305 shall be provided and shall be positioned for parallel approach to an end of the bench seat.

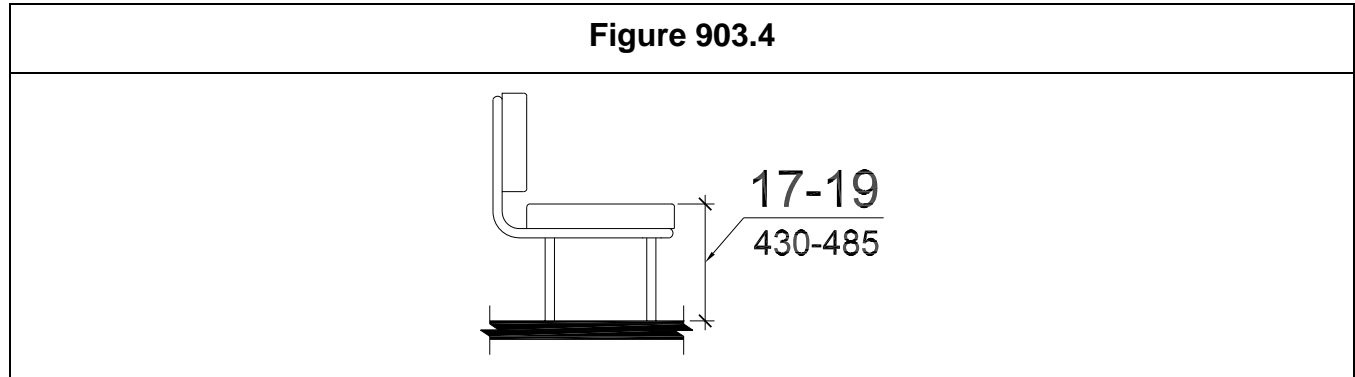
903.3 Size. Benches shall have seats that are 20 inches (510 mm) minimum to 24 inches maximum (610 mm) in depth and 42 inches (1065 mm) minimum in length. The bench shall be installed and shall have back support. Back support shall be 42 inches (1065 mm) minimum in length and shall extend from a point 2 inches (51 mm) maximum above the seat to a point 18 inches (455 mm) minimum above the seat.



Advisory 903.3

In dressing rooms where benches are fixed to the wall for back support, consideration should be given to providing grab bars on walls adjacent to the bench but not on the seat back, to assist an individual to transfer to the bench.

903.4 Height. The bench seat shall be 17 inches (430 mm) minimum to 19 inches (485 mm) maximum above the floor or ground.



903.5 Structural Strength. Allowable stresses shall not be exceeded for materials used when a vertical or horizontal force of 250 lb (1112 N) is applied at any point on the seat, fastener, mounting device, or supporting structure.

903.6 Wet Locations. Where installed in wet locations, the surface of the seat shall be slip resistant and shall not accumulate water.

904 Sales and Service Counters

904.1 General. Counters required to be *accessible* shall comply with the applicable provisions of 904.

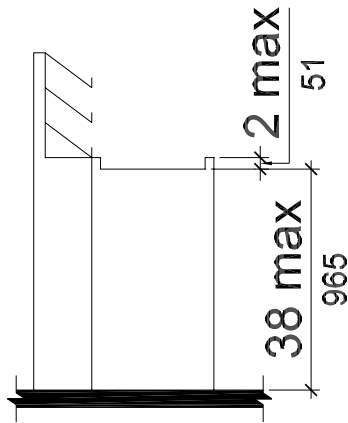
904.2 Approach. All portions of counters required to be *accessible* shall be located adjacent to a walking surface complying with 403.

904.3 Check-Out Aisles. Check-out aisles required to be *accessible* shall comply with 904.3.

904.3.1 Aisle. Aisles shall comply with 403.

904.3.2 Counter. The counter surface height shall be 38 inches (965 mm) maximum above the finished floor or ground. The top of the counter edge protection shall be 2 inches (51 mm) maximum above the top of the counter surface.

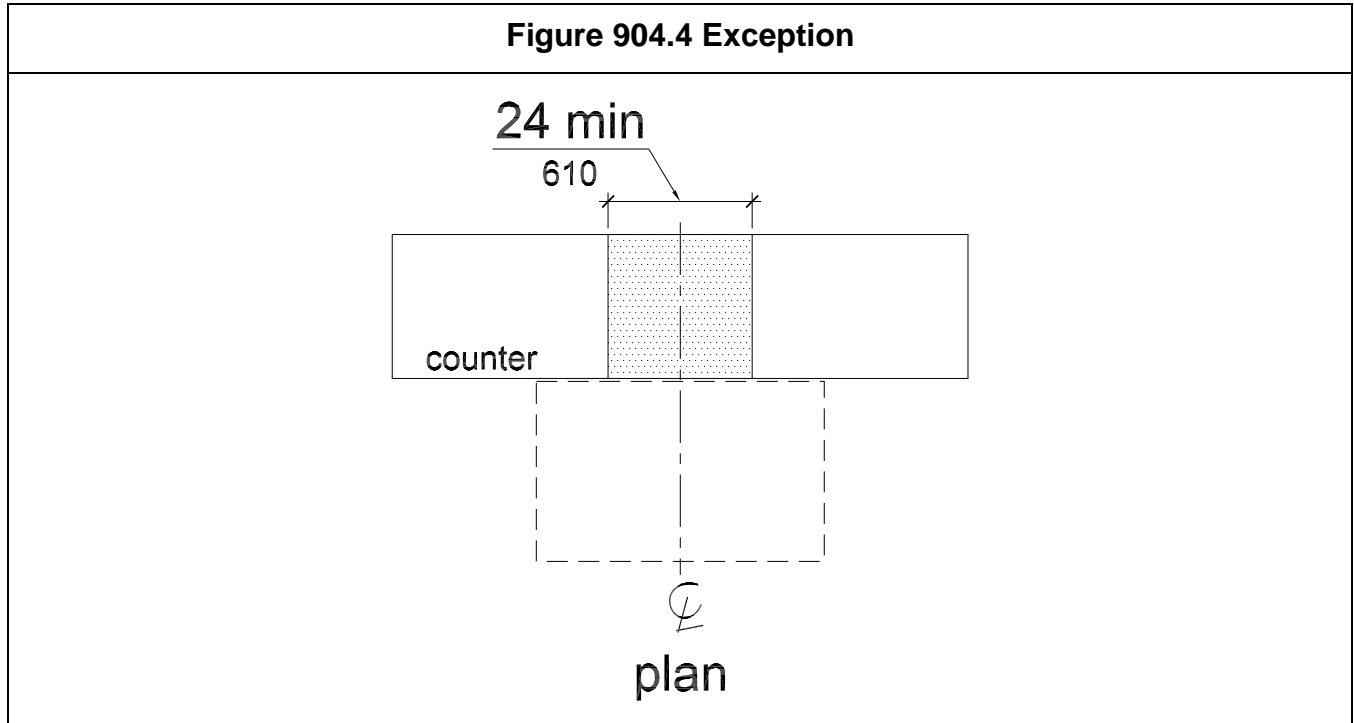
Figure 904.3.2



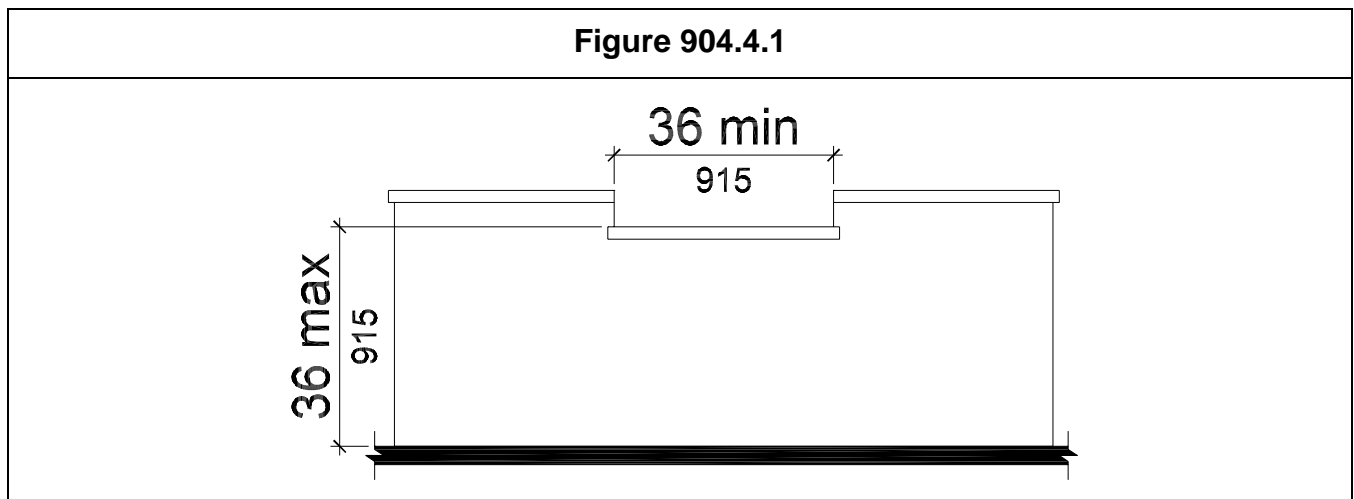
904.4 Point of Sales and Service Counters. Point of sales counters and service counters required to be *accessible* shall comply with 904.4.1 or 904.4.2.

EXCEPTION: In *alterations*, when the provision of an *accessible* counter would result in: a reduction of the number of existing counters at work stations; or a reduction of the number of existing *mail boxes*, a portion of the counter which is 24 inches (610 mm) minimum in length shall be

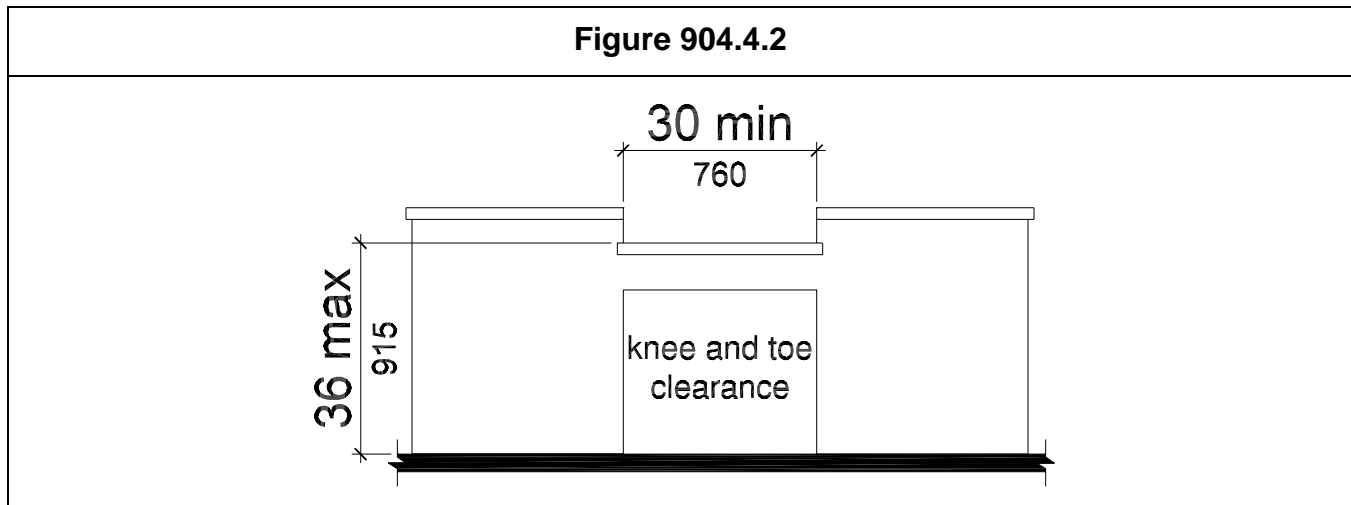
permitted to be *accessible* provided that the required clear floor or ground *space* is arranged so that its long dimension is centered on the *accessible* length of the counter.



904.4.1 Parallel Approach. A portion of the counter surface which is 36 inches (915 mm) long minimum by 36 inches (915 mm) high maximum above the finish floor shall be provided. A clear floor or ground *space* complying with 305 shall be positioned for a parallel approach adjacent to the *accessible* counter.



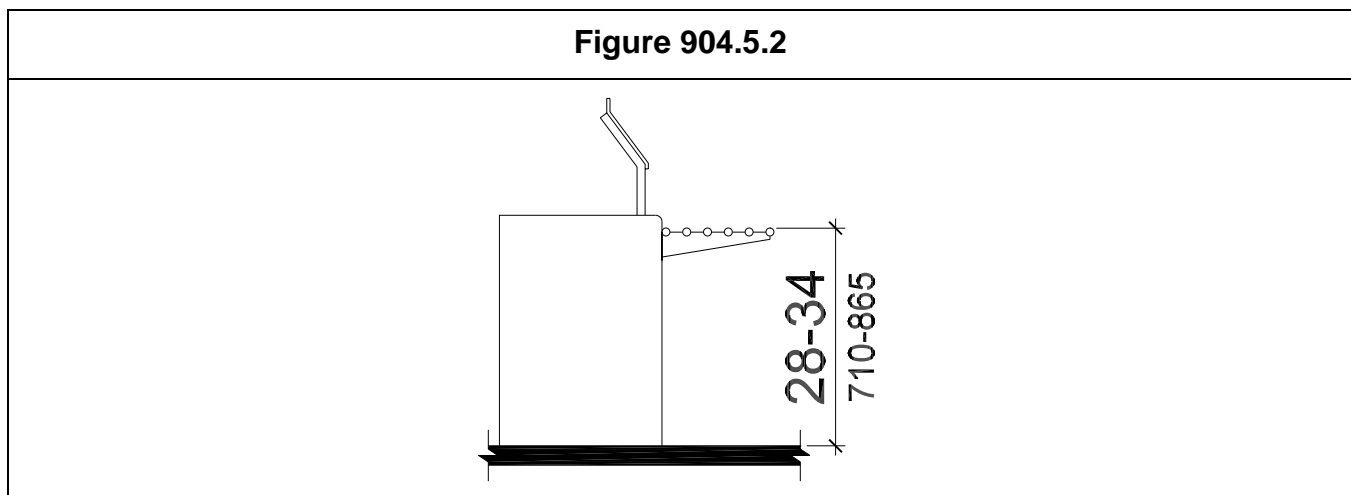
904.4.2 Forward Approach. A portion of the counter surface which is 30 inches (760 mm) long minimum by 36 inches (915 mm) high maximum shall be provided. Knee and toe *space* complying with 306 shall be provided under the *accessible* counter. A clear floor or ground *space* complying with 305 shall be positioned for a forward approach to the *accessible* counter.



904.5 Food Service Lines. Counters in food service lines shall comply with 904.5.

904.5.1 Self-Service Shelves and Dispensing Devices. Self-service shelves and dispensing devices for tableware, dishware, condiments, food and beverages shall comply with 308.

904.5.2 Tray Slides. The tops of *accessible* portions of tray slides shall be 28 inches (710 mm) minimum and 34 inches (865 mm) maximum above the floor or ground.



904.6 Security Glazing. Where counters or teller windows have security glazing to separate personnel from the public, at least one of each type shall provide a method to facilitate voice communication. Such

methods may include, but are not limited to, grilles, slats, talk-through baffles, intercoms, or telephone handset devices. The method of communication shall be *accessible* to both individuals who use *wheelchairs* and individuals who have difficulty bending or stooping. Hand-operable communications devices, if provided, shall comply with 704.3.

Advisory 904.6

At least one permanently installed assistive listening device complying with 706 should be provided at each location or series of counters or teller windows where there is security glazing which promotes distortion in audible information. Where assistive listening devices are installed, *signs* should be provided identifying those stations which are so equipped.

905 Storage

905.1 General. Storage *facilities* required to be *accessible* shall comply with 905.

905.2 Clear Floor or Ground Space. A clear floor or ground *space* complying with 305 shall be provided.

905.3 Height. Storage *facilities* shall comply with at least one of the reach ranges specified in 308. Clothes rods or hooks shall be located within one of the reach ranges specified in 308.

905.4 Hardware. Hardware for storage *facilities* shall comply with 309. baffles, intercoms, or telephone handset devices.

