



Photo by New Mexico Department of Game and Fish

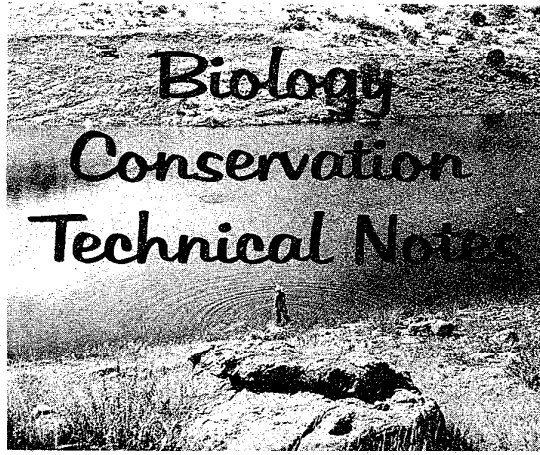


Photo by New Mexico Department of Game and Fish

U. S. DEPARTMENT OF AGRICULTURE NEW MEXICO SOIL CONSERVATION SERVICE

RECORD COPY BIOLOGY NOTE NO. 9

July 25, 1967

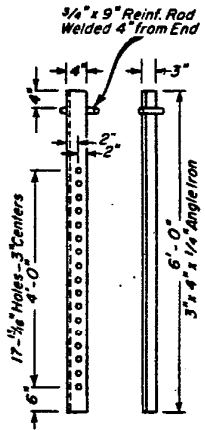
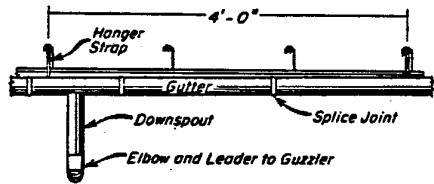
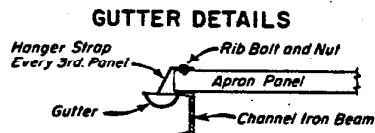
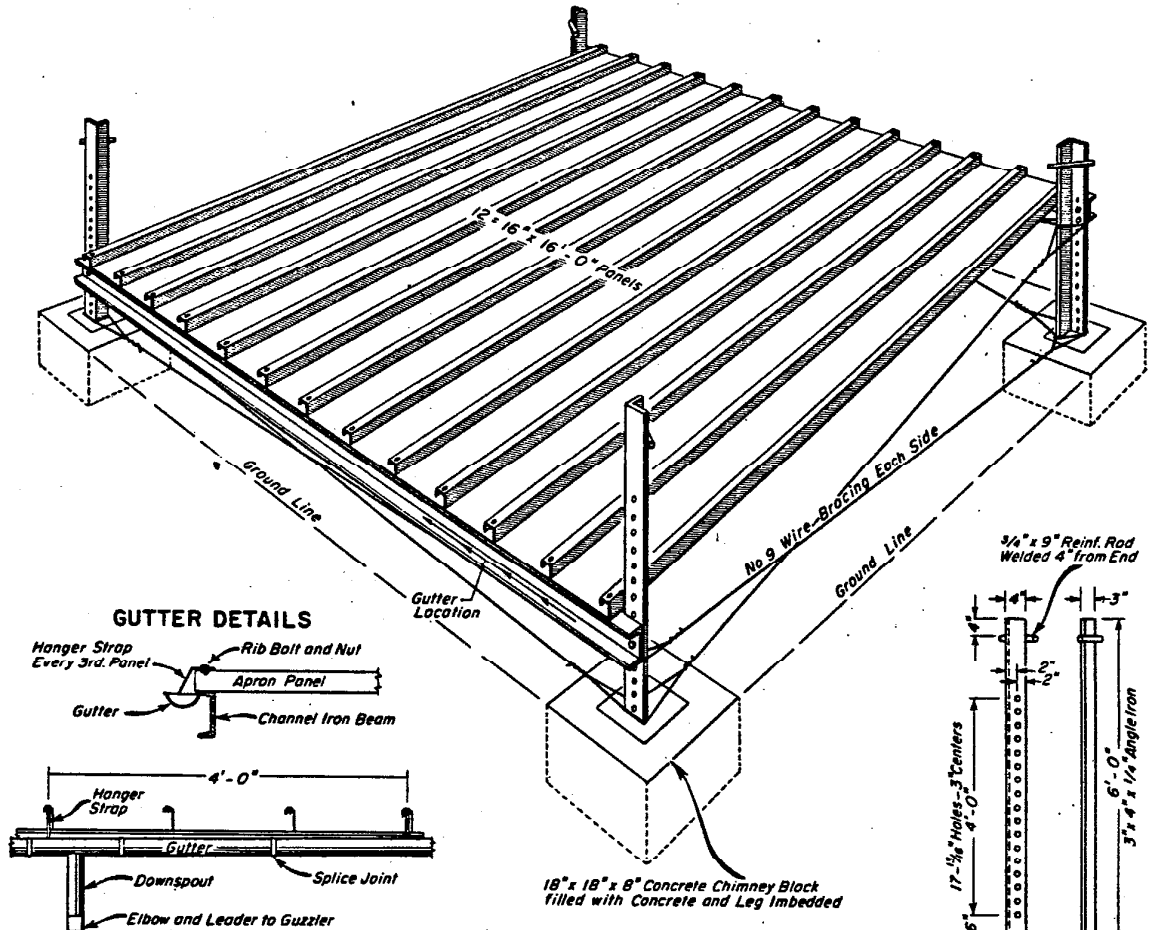
Subject: WILDLIFE WATERING FACILITIES

Attached are seven standard designs for wildlife watering facilities. There are several others available commercially.

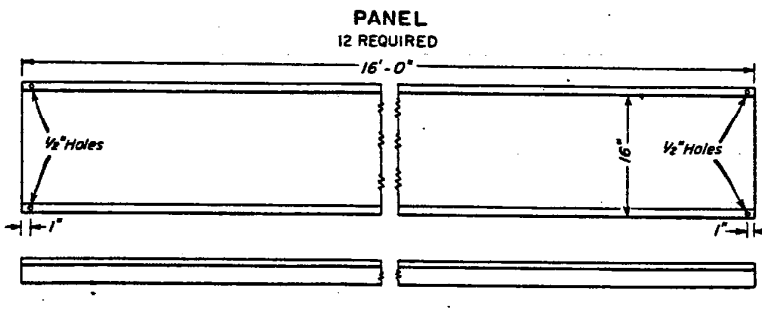
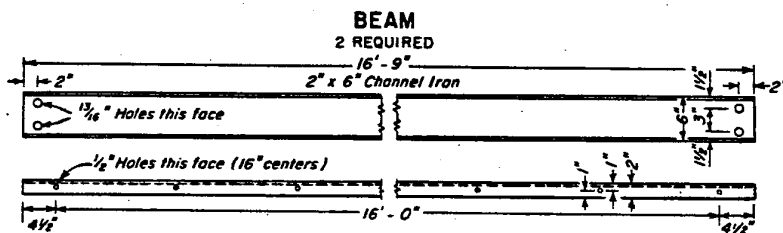
These can be used as guidelines or ideas for developing wildlife water facilities as required by the standards and specifications for the Practice Wildlife Watering Facility (Code - 648).

To:
AC's, WUC's
Verne Davison, WRTSC
Dean Marriage, WRTSC
Niner, Lohmiller, PMC, Los Lunas
Dan Merkel, Santa Fe
E. L. Roget
J. G. Douglas (8)
J. York, P. Haverkamp, Area Biol.

PREFABRICATED METAL WATER COLLECTING APRON for WILDLIFE WATERING FACILITY



LEG
MAKE 2 AS SHOWN AND
2 OPPOSITE HAND



BILL of MATERIALS

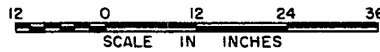
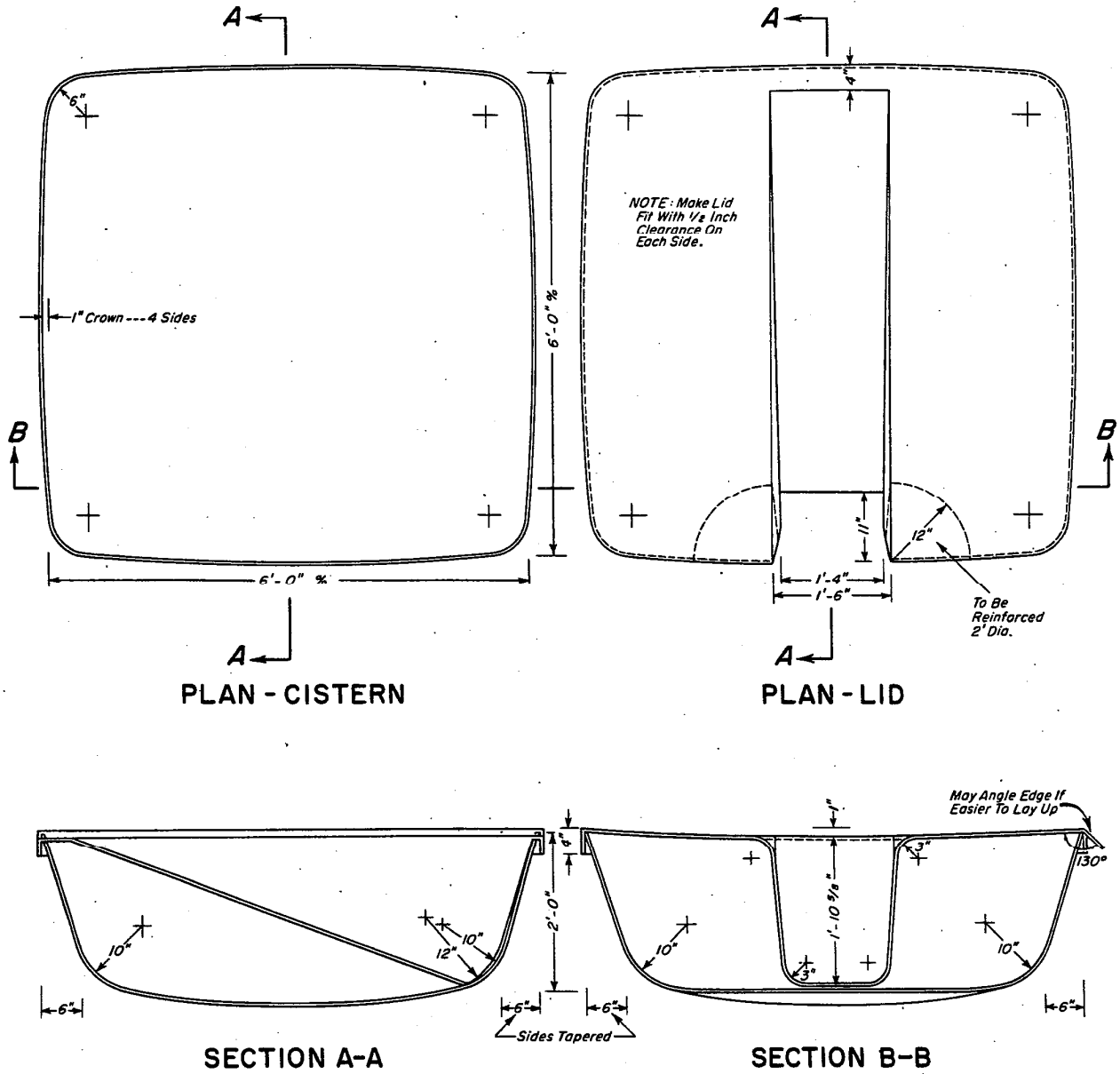
[6" x 2" x 8.2 lb. x 16'-9"	2	each
L 4" x 3" x 1/4" x 6'-0"	4	each
Panels 16" x 16'-0" #362	12	each
Bolts 3/4" x 1 1/4" machine w/hex nut and s-lock washer	8	each
Bolts 3/8" x 1 1/4" mach. w/hex nut	24	each
Bolts 3/8" x 3/4" w/rib nut	22	each
Bolts 3/8" x 4" mach. w/hex nut	2	each
Foundation Piers	4	each
Wire, No. 9 galvanized	15	lbs.

Copies may be secured from:
Washington Field Biologist (Western)
Berkeley, California

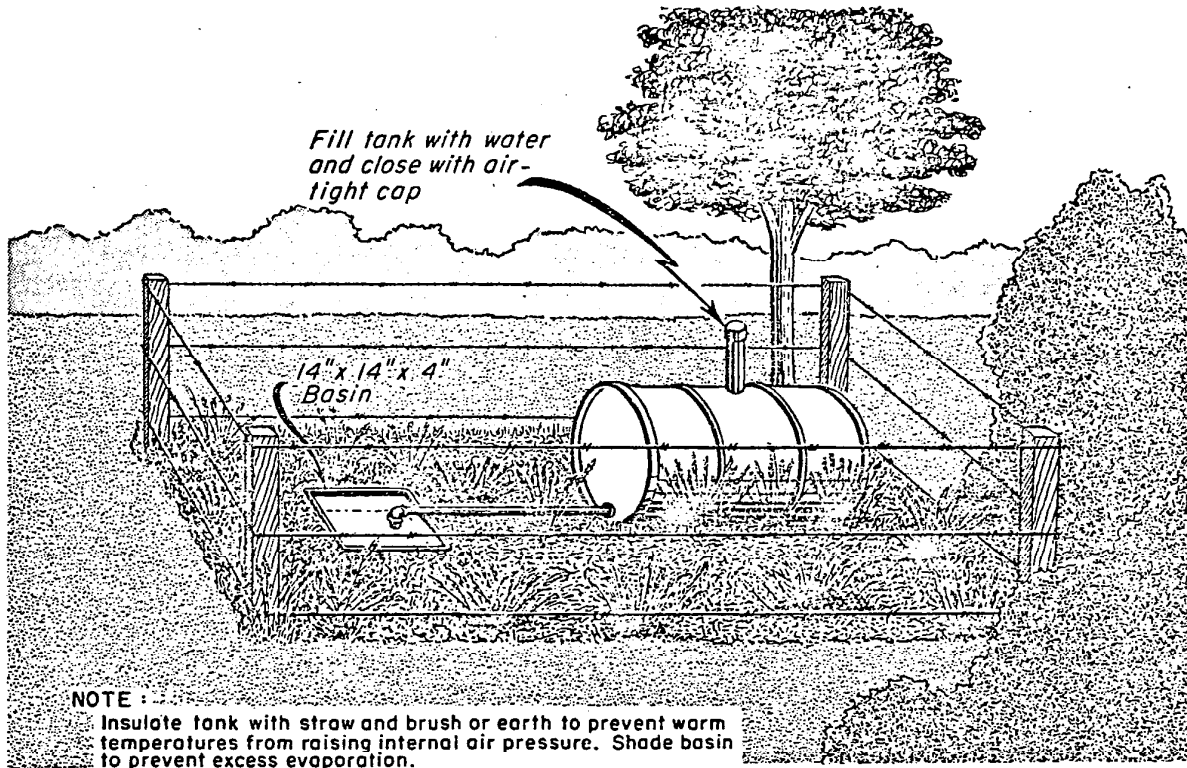
NOT AVAILABLE FROM CARTOGRAPHIC UNIT

BUREAU OF POSTAL AND MAIL M-2430-95

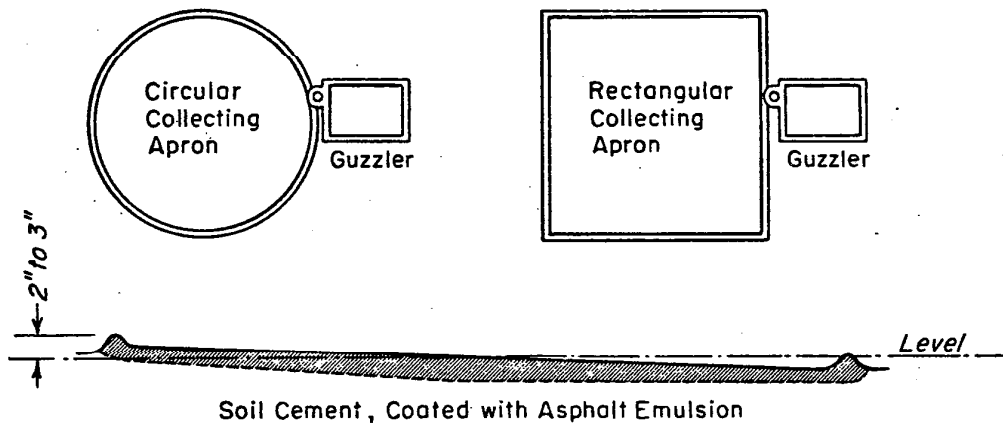
LAMINATED PLASTIC SELF-FILLING WILDLIFE WATERING FACILITY



TEMPORARY WILDLIFE WATERING FACILITY



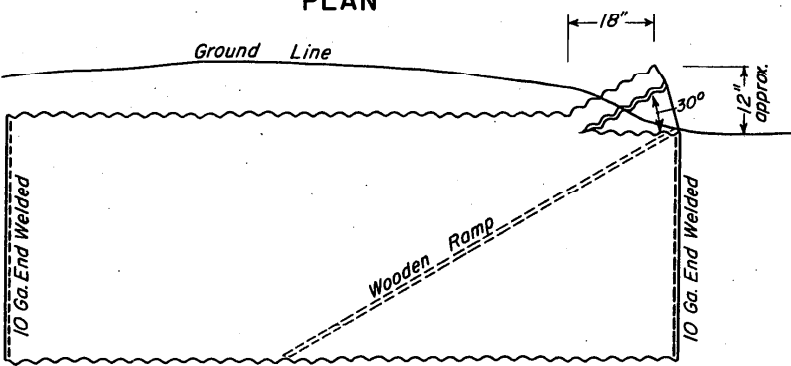
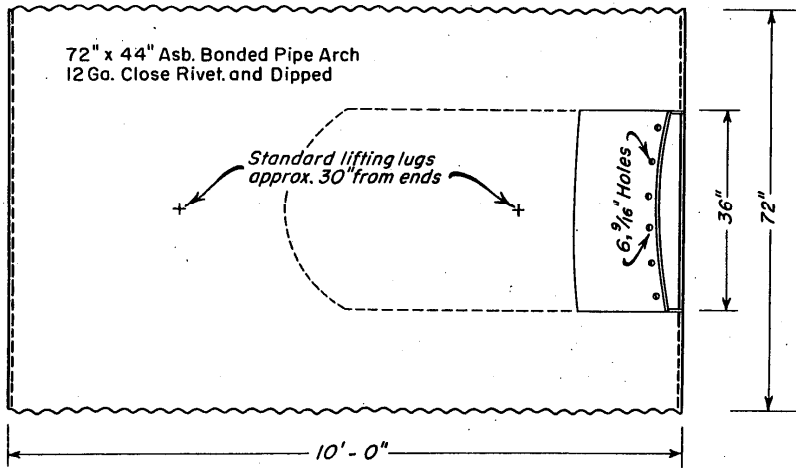
WATER COLLECTING APRONS FOR SELF-FILLING WILDLIFE WATERING FACILITY



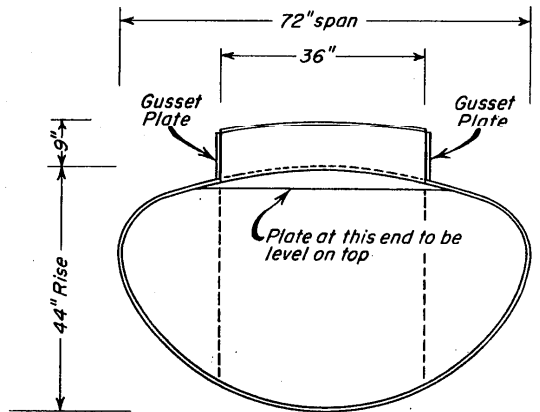
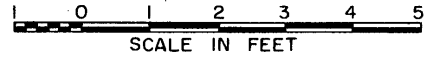
- To Make Apron :
- (1) Shape and smooth area.
 - (2) Cover evenly with dry cement at rate of 1 sack for each 50 square feet, except on heavy clay soils, where use 1 sack for each 30 square feet.
 - (3) Rake in thoroughly 2 1/2 - 3 inches.
 - (4) Sprinkle thoroughly till soil is wet 6 inches deep.
 - (5) Paint or spray with asphalt emulsion as soon as possible after cement is set - always within 24 hours.

Copies may be secured from:

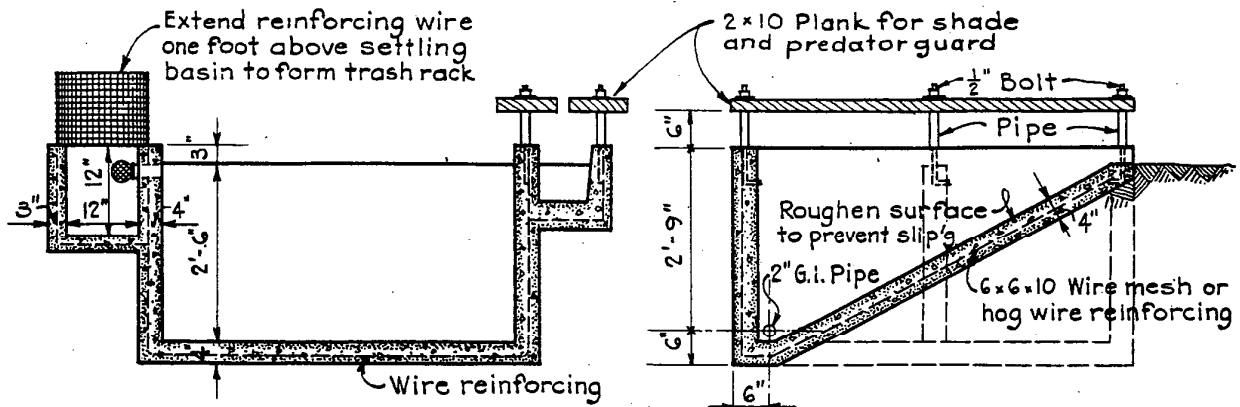
Washington Field Biologist (Western)
 Berkeley, California



CORRUGATED METAL SELF-FILLING WILDLIFE WATERING FACILITY

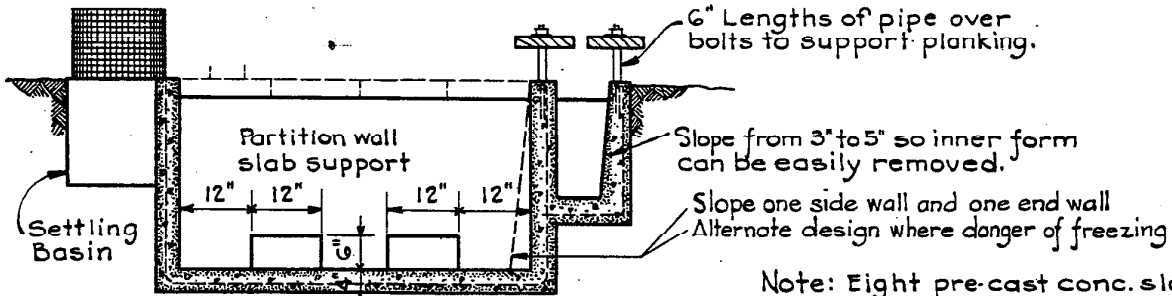


CONCRETE SELF-FILLING WILDLIFE WATERING FACILITY



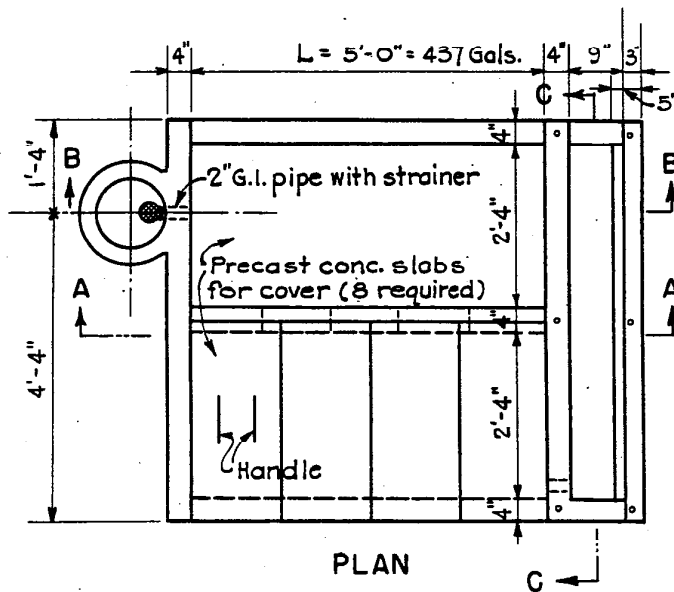
SECTION B-B

SECTION C-C

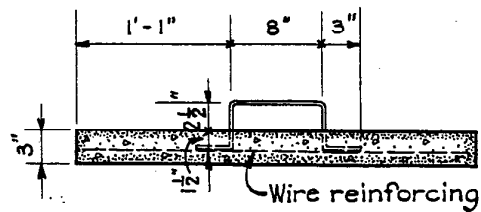


SECTION A-A

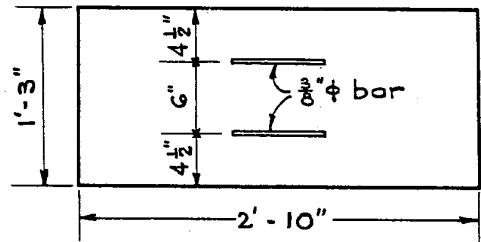
Note: Eight pre-cast conc. slabs required for cover. Two of the slabs to have handles for convenience in removing and cleaning tank.



PLAN



COVER SLAB DETAIL

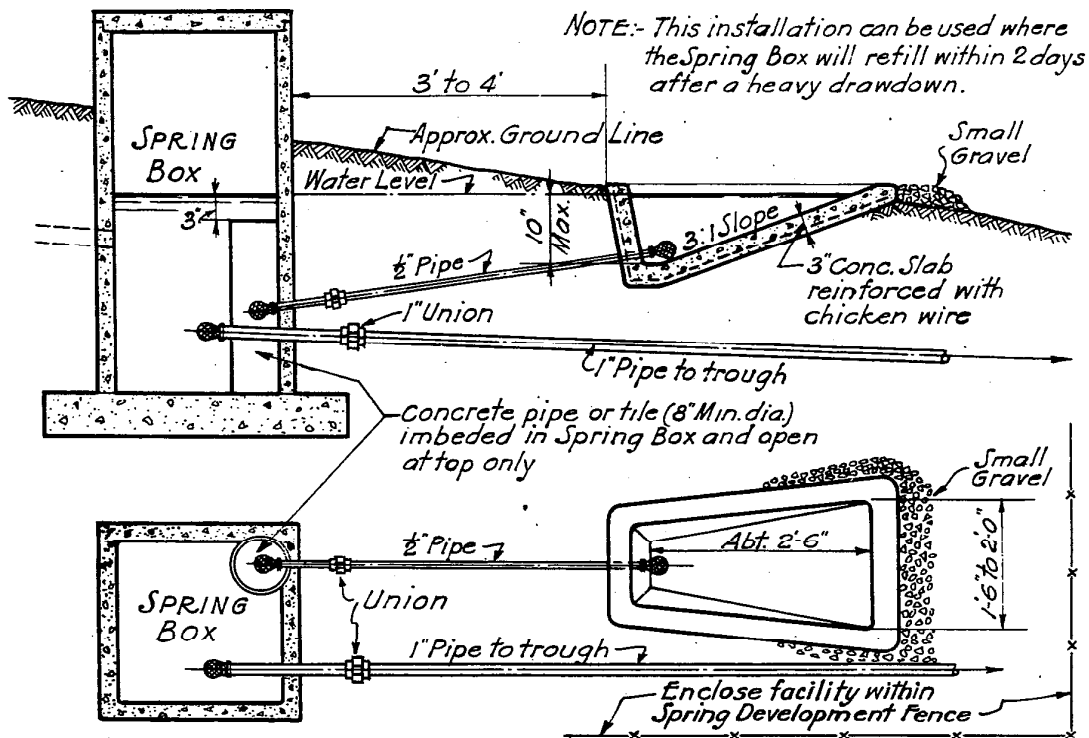


Where min. annual rainfall is 10" or over use 500 gal. tank. Length = 6'-3"
 Where min. annual rainfall is 5" to 10" use 750 gal. tank. Length = 8'-9"
 Where min. annual rainfall is less than 5" use 1000 gal. tk. Length = 11'-3"

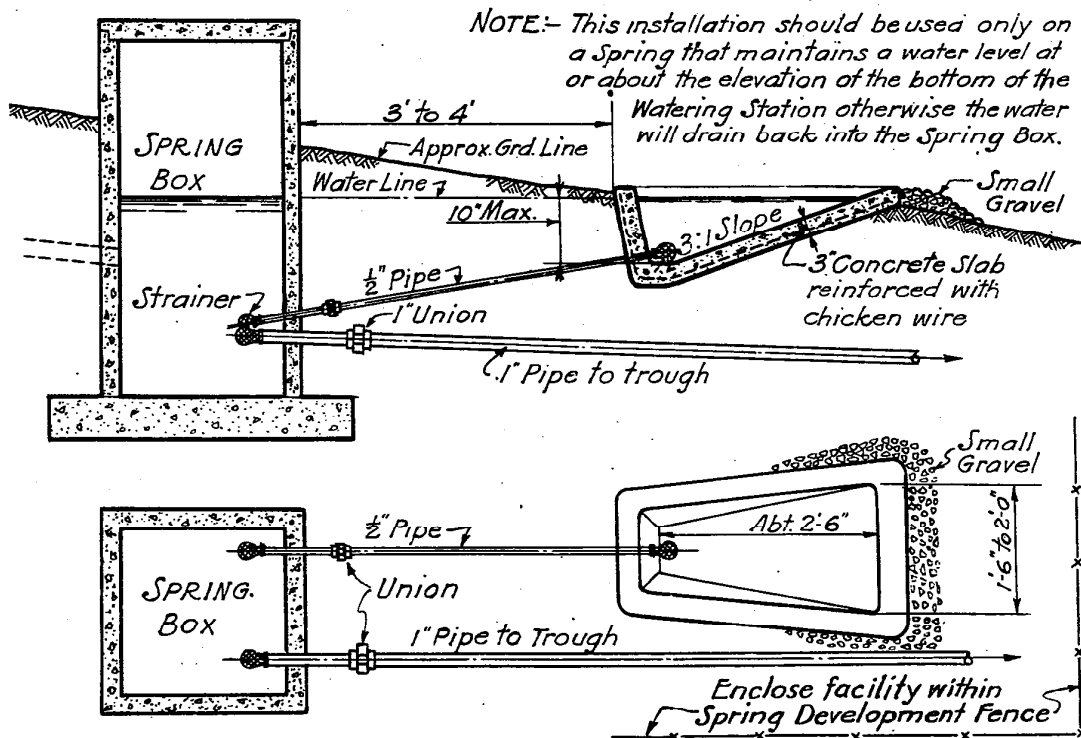
Copies may be secured from:

Washington Field Biologist (Western)
 Berkeley, California

WILDLIFE WATERING FACILITY NEAR SPRING BOX .. No. 1



WILDLIFE WATERING FACILITY NEAR SPRING BOX .. No. 2

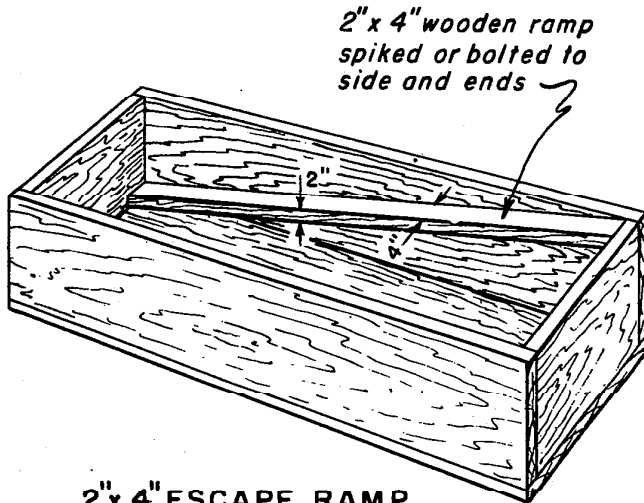


WATER DEVELOPMENT for WILDLIFE

ALL PROGRAMS AND SERVICE OF THE SOIL CONSERVATION SERVICE ARE AVAILABLE TO ANYONE WITHOUT REGARD TO RACE, CREED, COLOR, AGE, SEX OR NATIONAL ORIGIN.

ALL PROGRAMS AND SERVICE OF THE SOIL CONSERVATION SERVICE ARE AVAILABLE TO ANYONE WITHOUT REGARD TO RACE, CREED, COLOR, AGE, SEX OR NATIONAL ORIGIN.

USDA-SEC-PORTLAND, OREG. 1958

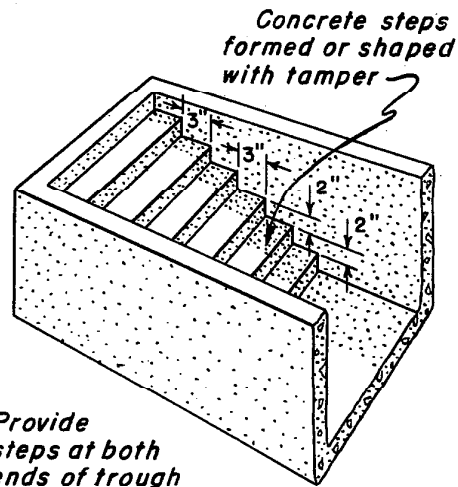


2" x 4" ESCAPE RAMP FOR WOODEN TROUGHS

Eastern Washington has land and shelter for wildlife sometimes without adequate water. This is particularly true on wheat farms. The placing of watering facilities will help keep wildlife in many odd areas. Develop some water away from the farmstead if possible. Any landowner desiring a self-filling cistern type water development for game (see photo) should contact the game department.

WATER TROUGH ESCAPES

Water trough escapes for wildlife. These help young birds from falling into open tanks or troughs.



Provide steps at both ends of trough

COMBINATION WILDLIFE AND SMALL STOCK ANIMAL ESCAPE STEPS FOR CONCRETE WATER TROUGH

