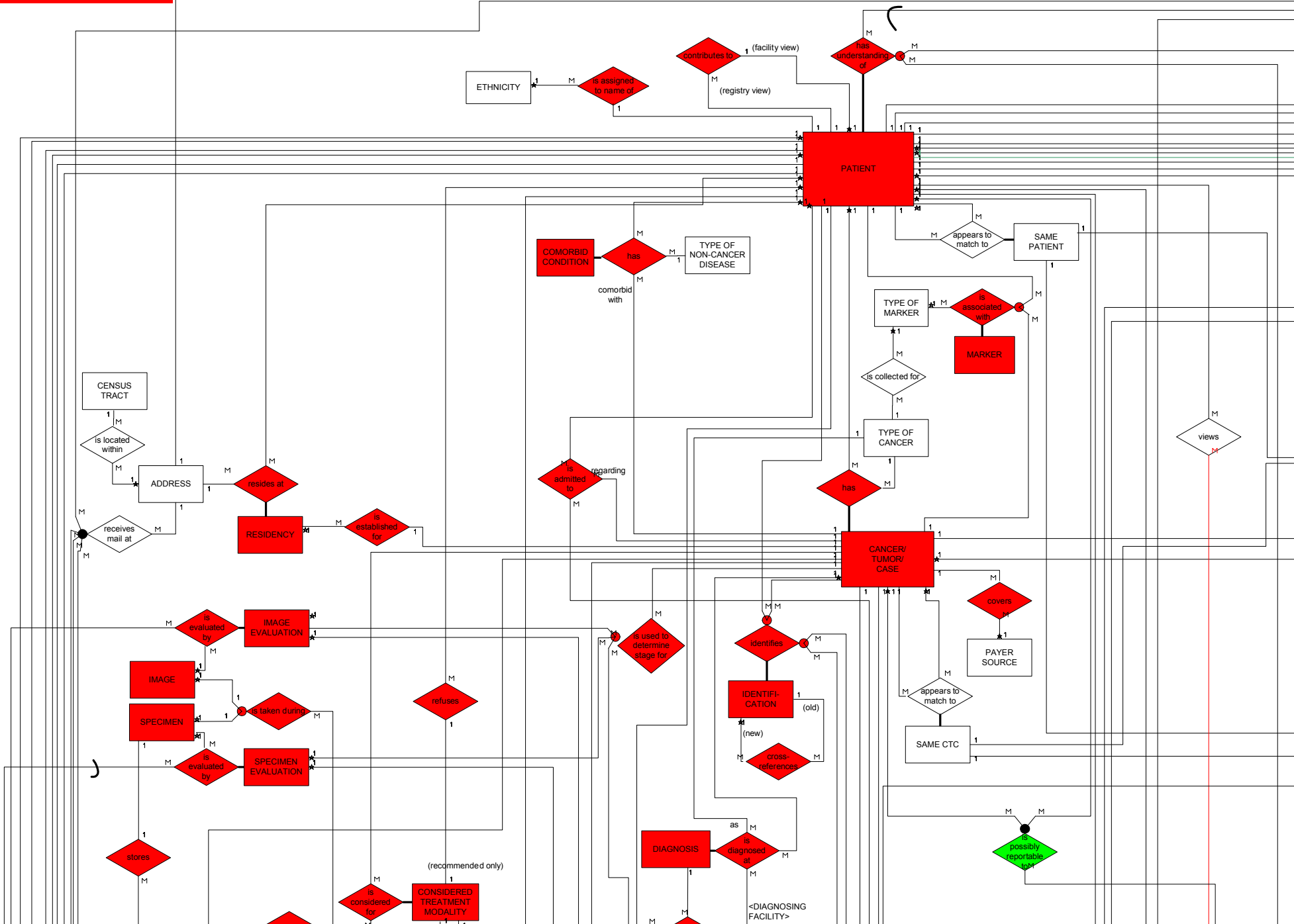
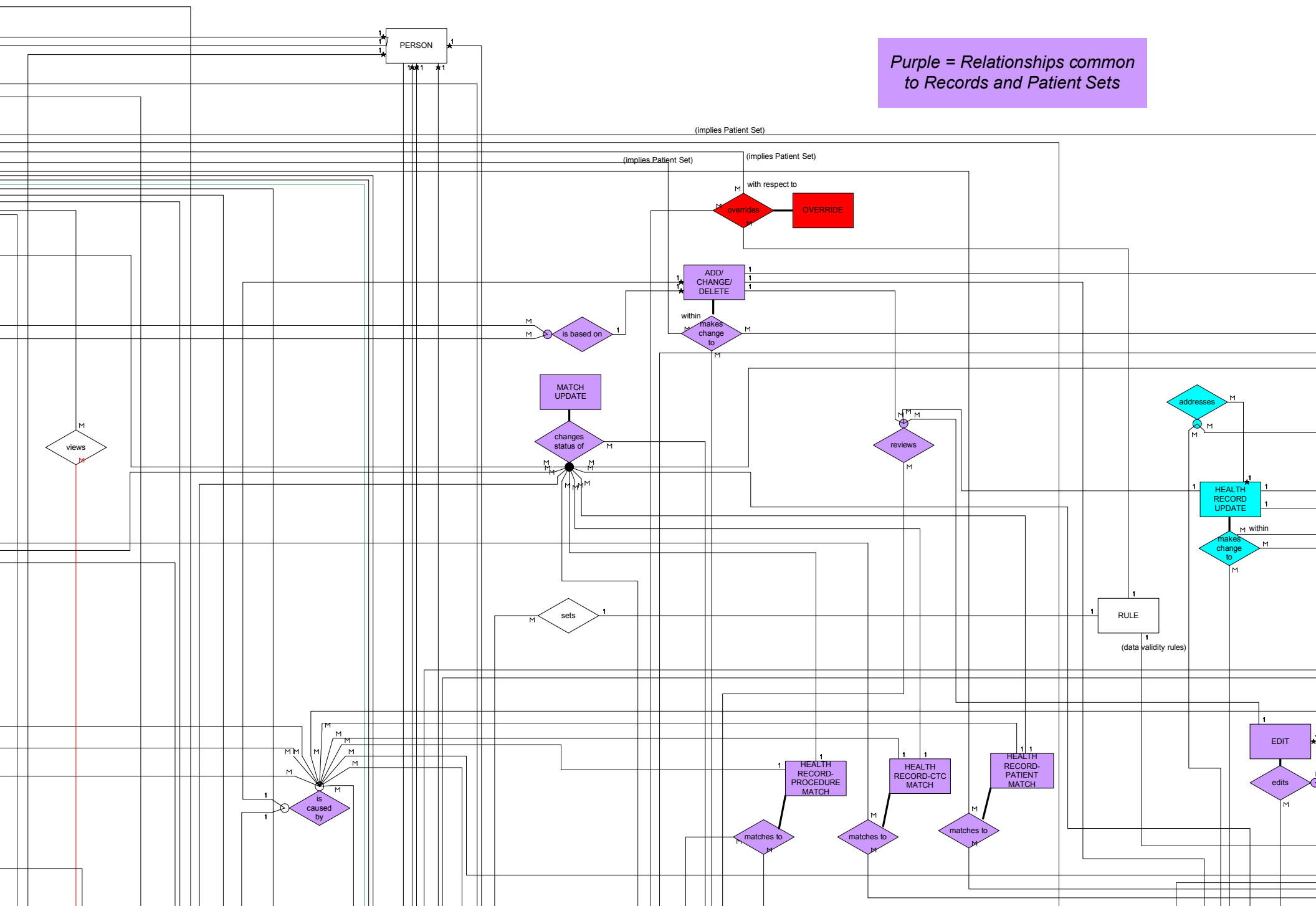


RED = Patient Set



Purple = Relationships common to Records and Patient Sets

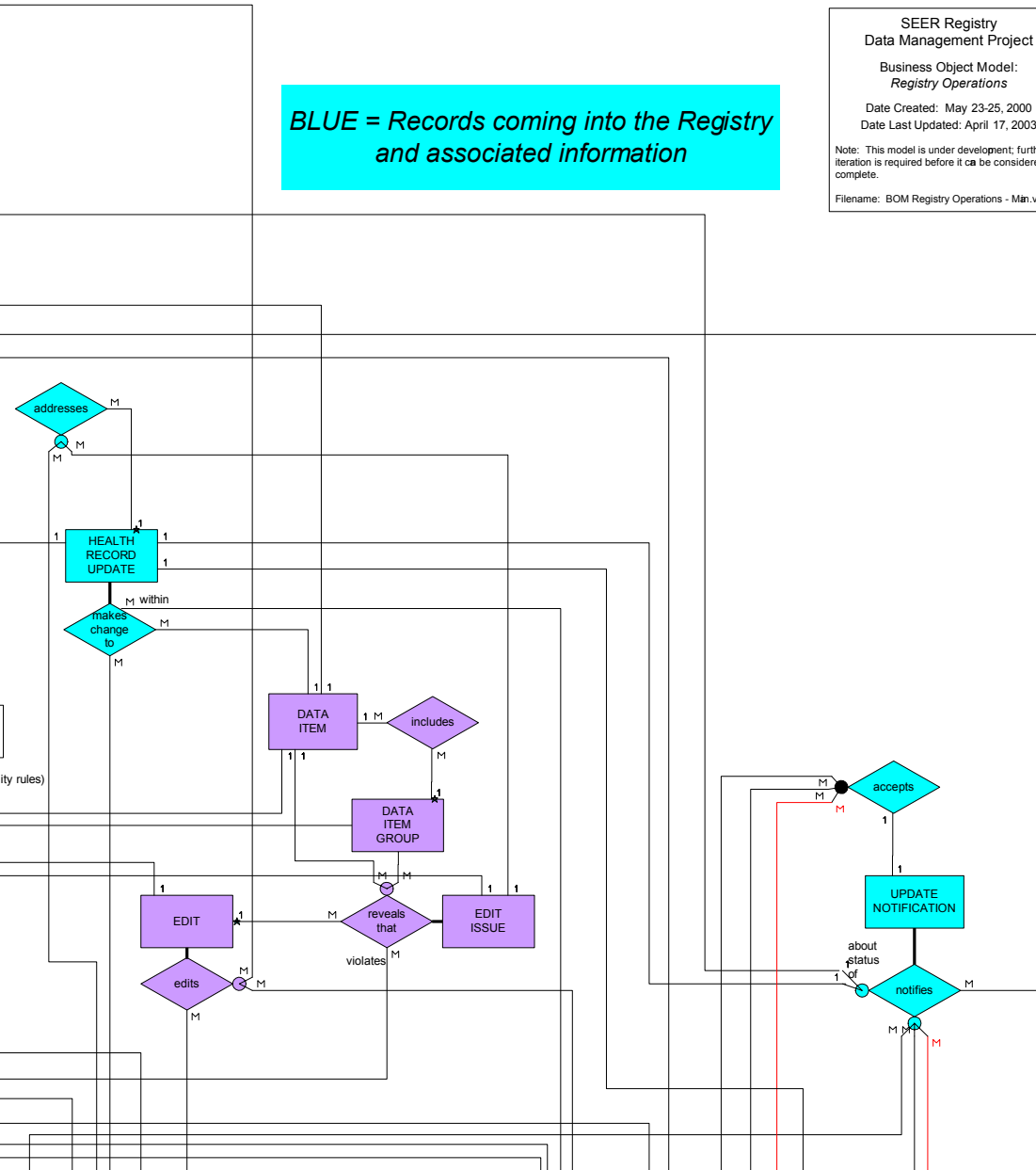


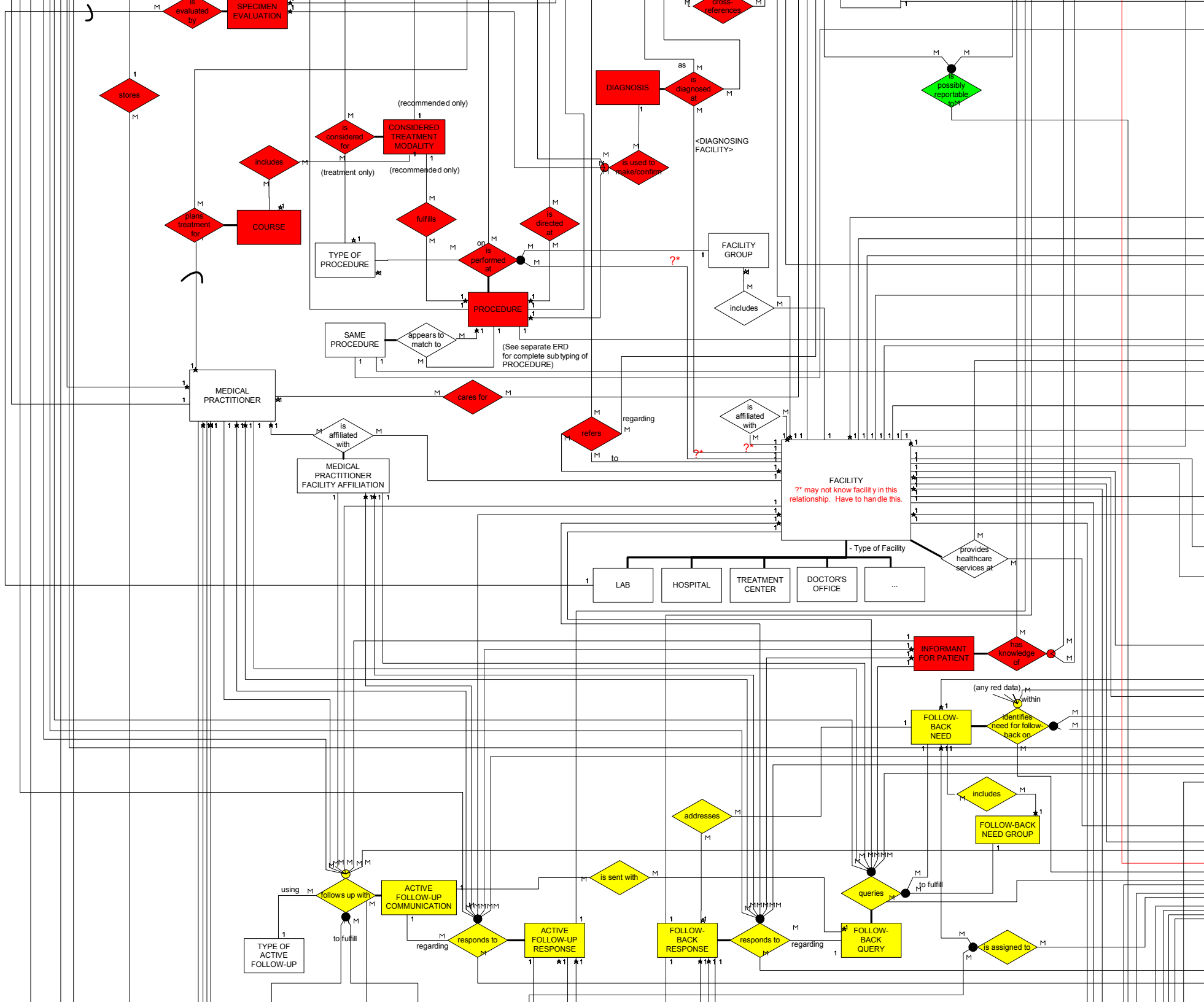
Blue relationship off SEER Registry are really the Registry. Black relationships are really (SEER) Org Rep

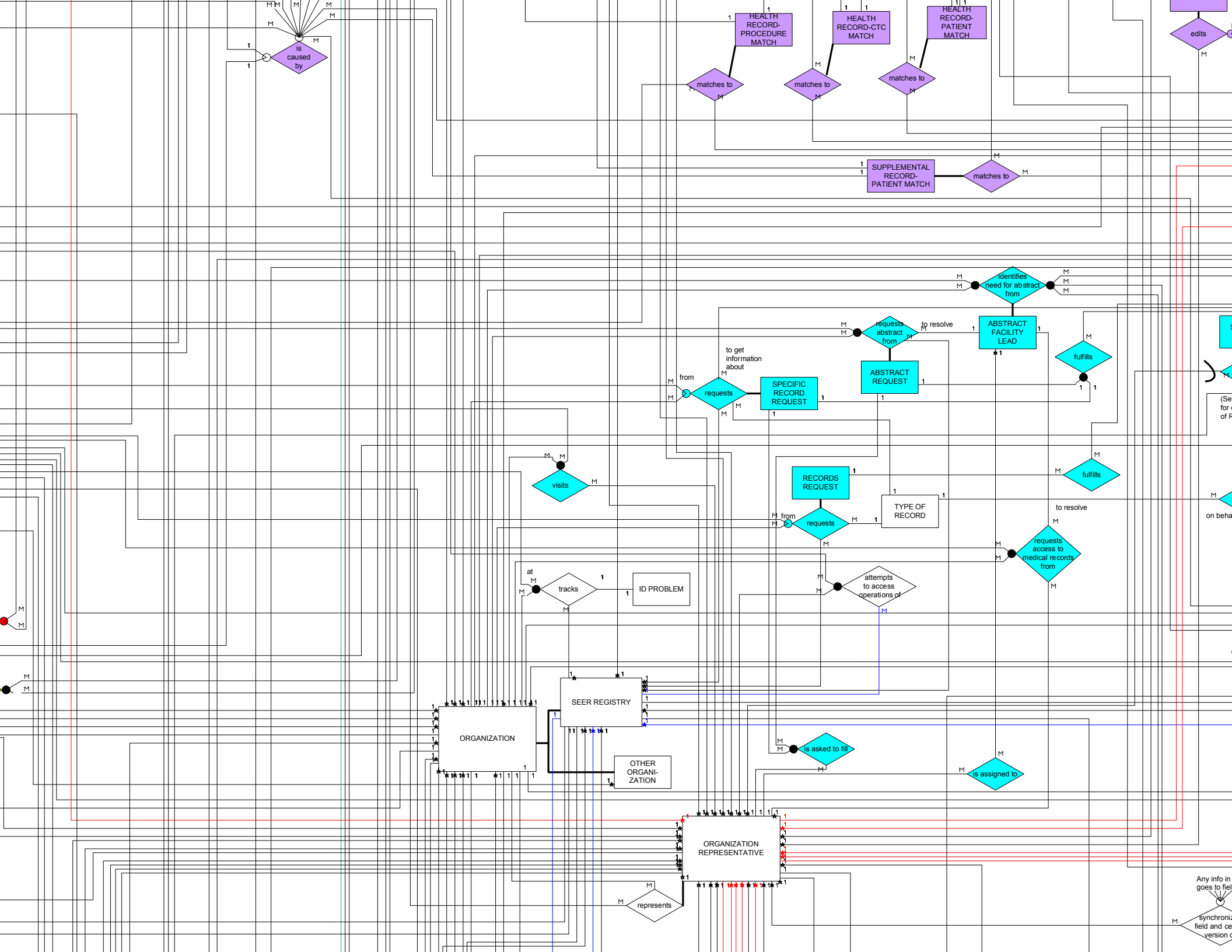
Red relationships off ORG REP: SEER or Other org
Black relationships off ORG REP: SEER only

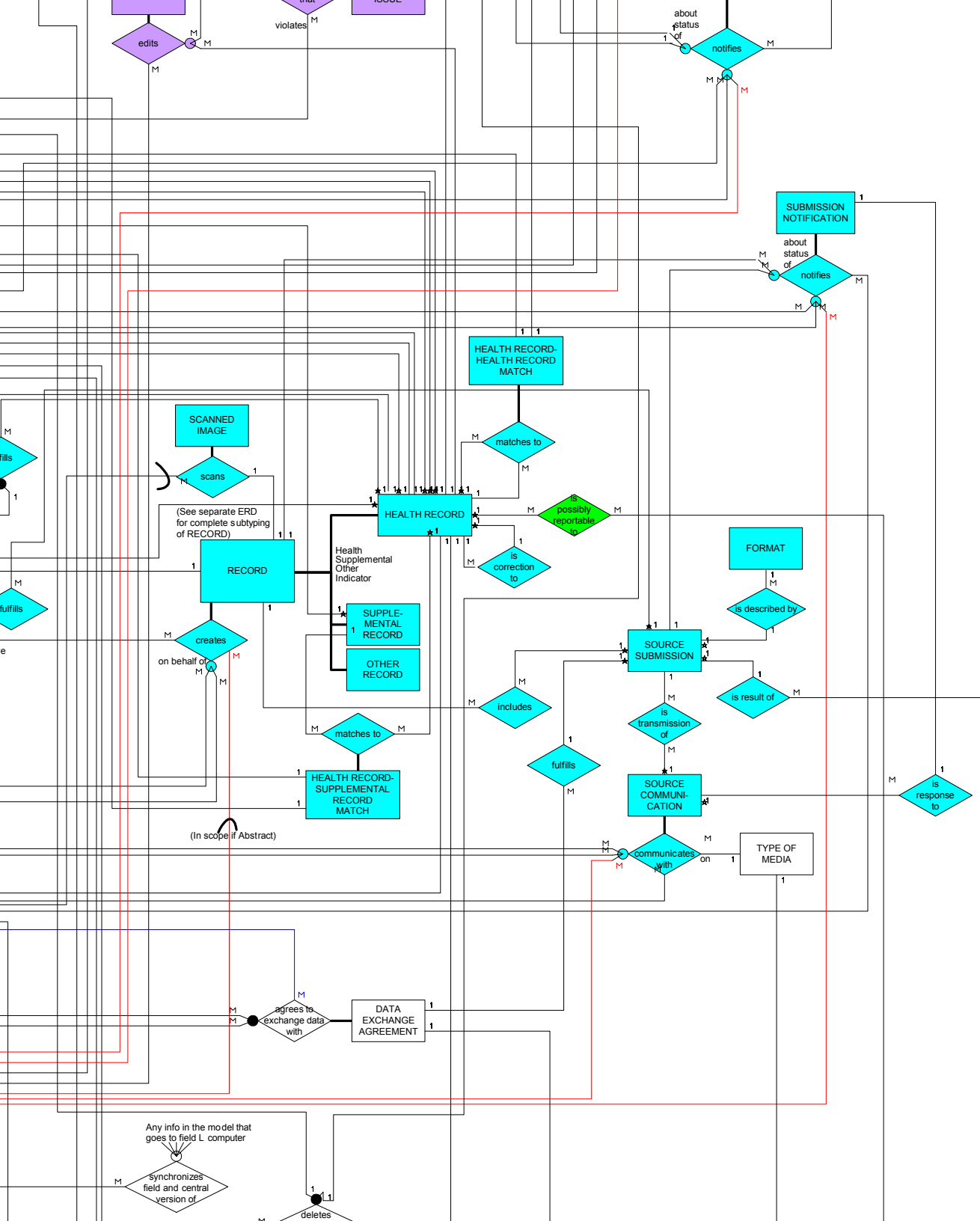
BLUE = Records coming into the Registry and associated information

SEER Registry
Data Management Project
Business Object Model:
Registry Operations
Date Created: May 23-25, 2000
Date Last Updated: April 17, 2003
Note: This model is under development; further iteration is required before it can be considered complete.
Filename: BOM Registry Operations - Min.vsd

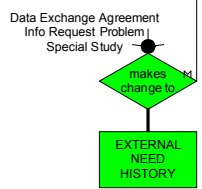
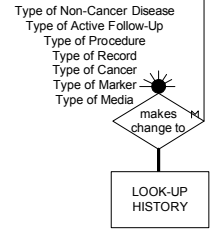
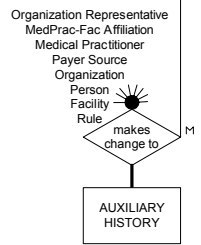
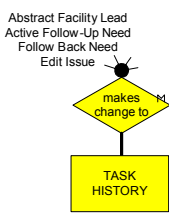
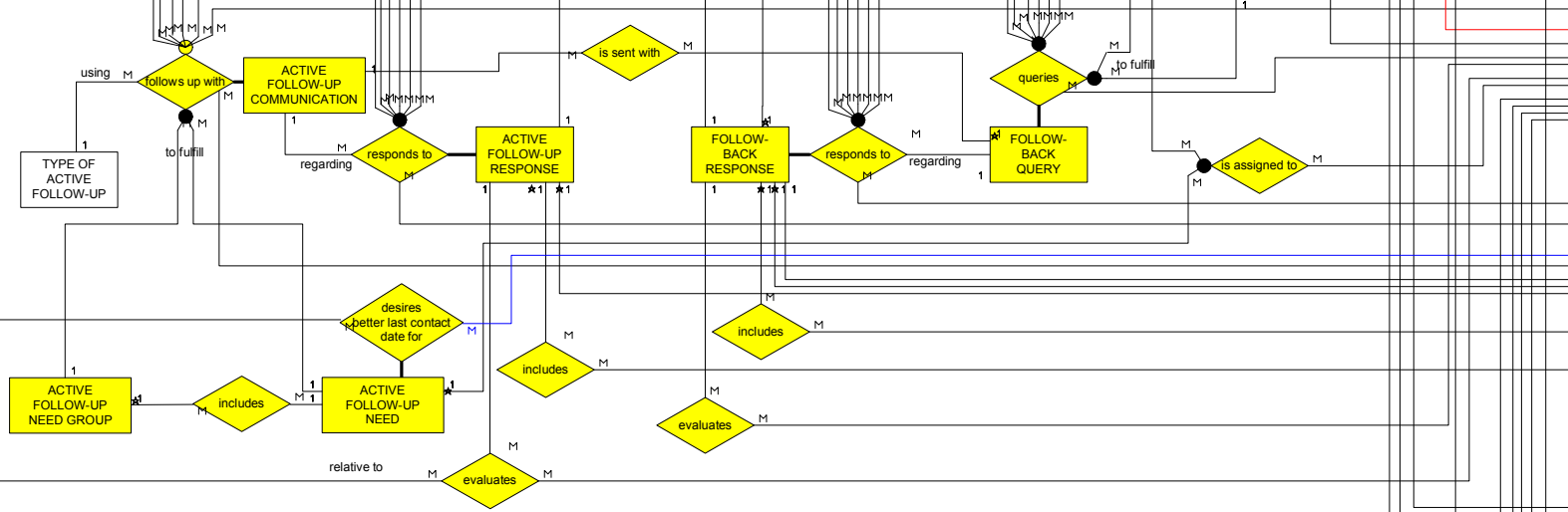


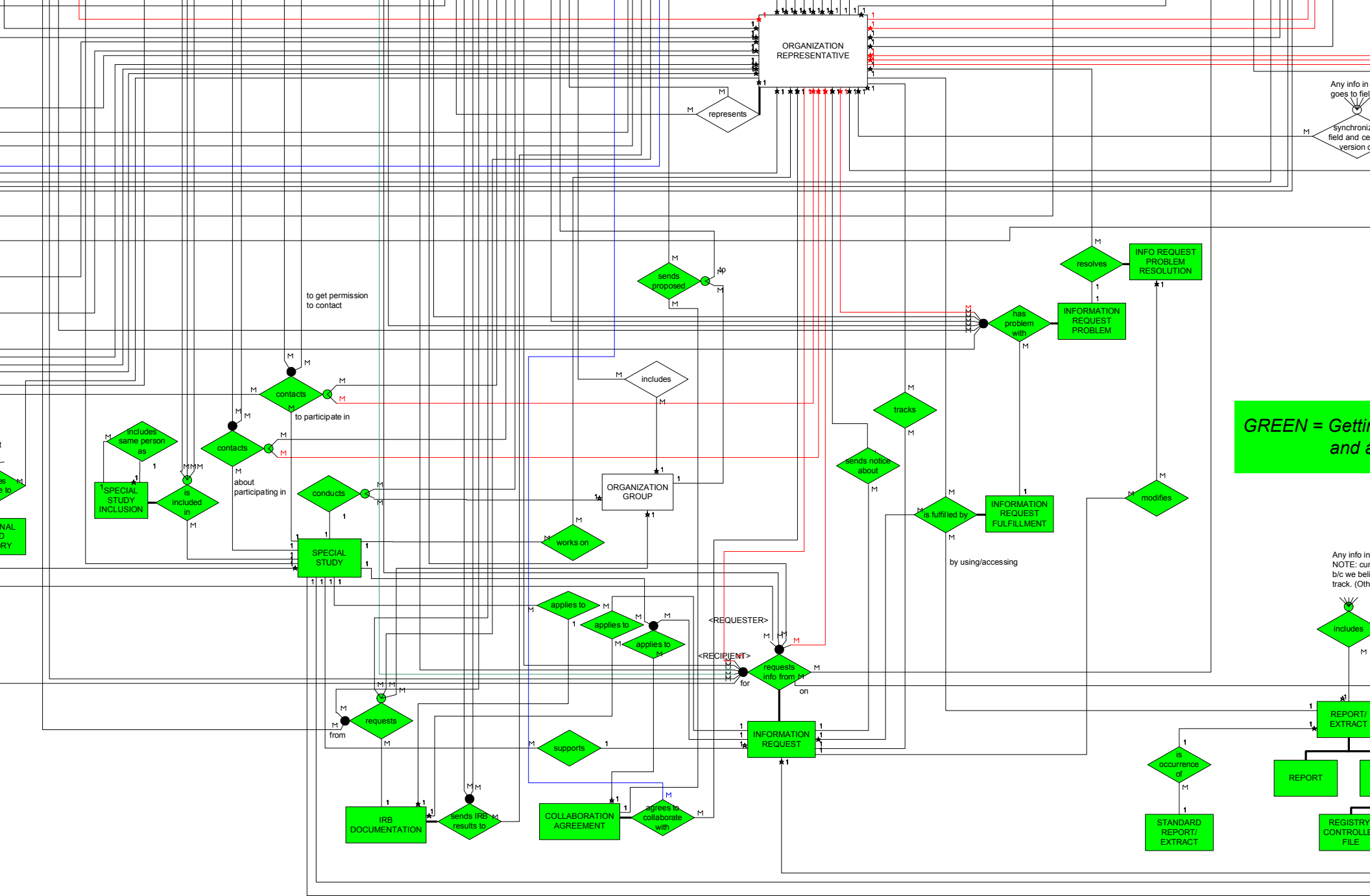


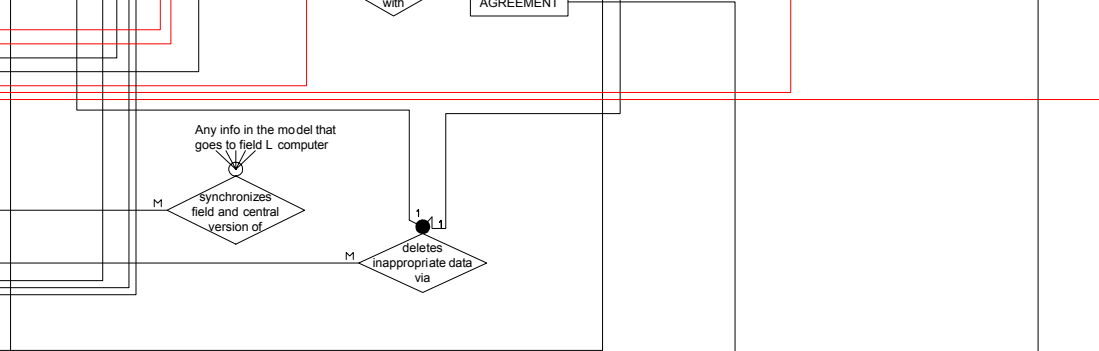




YELLOW = Follow-Up and Follow-Back and associated info







GREEN = Getting information out of the Registry and associated information

Any info in the model
 NOTE: currently connected to PATIENT and CTC
 b/c we believe that's what registries most wish to track. (Other things are true, but don't care)

