



400 Seventh Street, S.W.
Washington, D.C. 20590

U.S. Department
of Transportation

**National Highway
Traffic Safety
Administration**

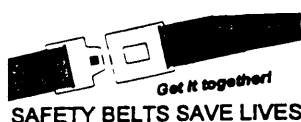
Dear Crash Data Researchers/Users:

Thank you for choosing crash data from the National Highway Traffic Safety Administration (NHTSA) for your research or other use. The information contained in this motor vehicle crash report is collected, maintained and distributed in accordance with Public Law 89-564. In accordance with this Public Law, NHTSA is required not to release any case information until completion of quality control procedures. These procedures include a review of the case material to extract all names, licenses and registration numbers, non-coded interview material, non-research related researcher comments in the margins, non-factual data, and the production number portion of the vehicle identification number (VIN).

If you requested NHTSA to query its database files in order to identify a specific crash, then that query was made using non-personal descriptors you provided for use in our search. This motor vehicle crash may have been identified from a data search and matches the general, non-personal descriptors you provided, but we cannot confirm that this is the specific crash report you requested.

If you have any questions with regard to the above procedures, please contact the Field Operations Branch, Crash Investigation Division, National Center for Statistics and Analysis at 202-366-4820. Again, please be advised that we cannot confirm that this is the case that you have specifically requested nor can we certify the information to be correct.

*** **



AUTO SAFETY HOTLINE
(800) 424-9393
Wash. D.C. Area 366-0123



CASE SUMMARY

PSU 09 CASE NO. 506-A TYPE OF ACCIDENT CAR/CAR - SIDESWIPE ANGLE

A. DESCRIPTION OF THE ACCIDENT SEQUENCE AND ACCIDENT PECULIARITIES

(Provide a summary of the accident sequence as well as any particular event of the accident that is noteworthy. Injury mechanism and vehicle crashworthiness is the focus, not driver culpability. Do not include any personal identifiers. Use reverse side if needed.)

Vehicle's #1 and 2 were southbound county roadway. Vehicle #1 sideswipes vehicle #2 causing vehicle #2 to spin 180° and rest. Vehicle #1 proceeded to the right contacting the guardrail. While riding on the guardrail, the driver of vehicle #1's head is partially ejected. The driver's head makes contact to a utility pole behind the guardrail causing instant death.

B. VEHICLE PROFILE(S)

Vehicle No.	Class of Vehicle	Year/Make/Model	Most Severe Damage		Component Failure
			Damage Plane	Severity Description	
1	Compact	1992/TOYOTA/Camry	Front	Light	None
2	Compact	1989/CHEVROLET/Beretta	Left	Unknown	None

C. PERSON PROFILE(S)

Vehicle No.	Person Role	Seat Position	Restraint Use	Most Severe Injury			
				Body Region	Lesion	AIS	Injury Source
1	Driver	Left Front	None	FATALLY	INJURED	DETAILS	UNKNOWN
2	Driver	Left Front	3 point automatic	NOT	INJURED		
2	Passenger	Right Front	3 point automatic	Knee	Contusion	1	Glovebox

DO NOT SANITIZE THIS FORM



U.S. Department of Transportation
National Highway Traffic Safety
Administration

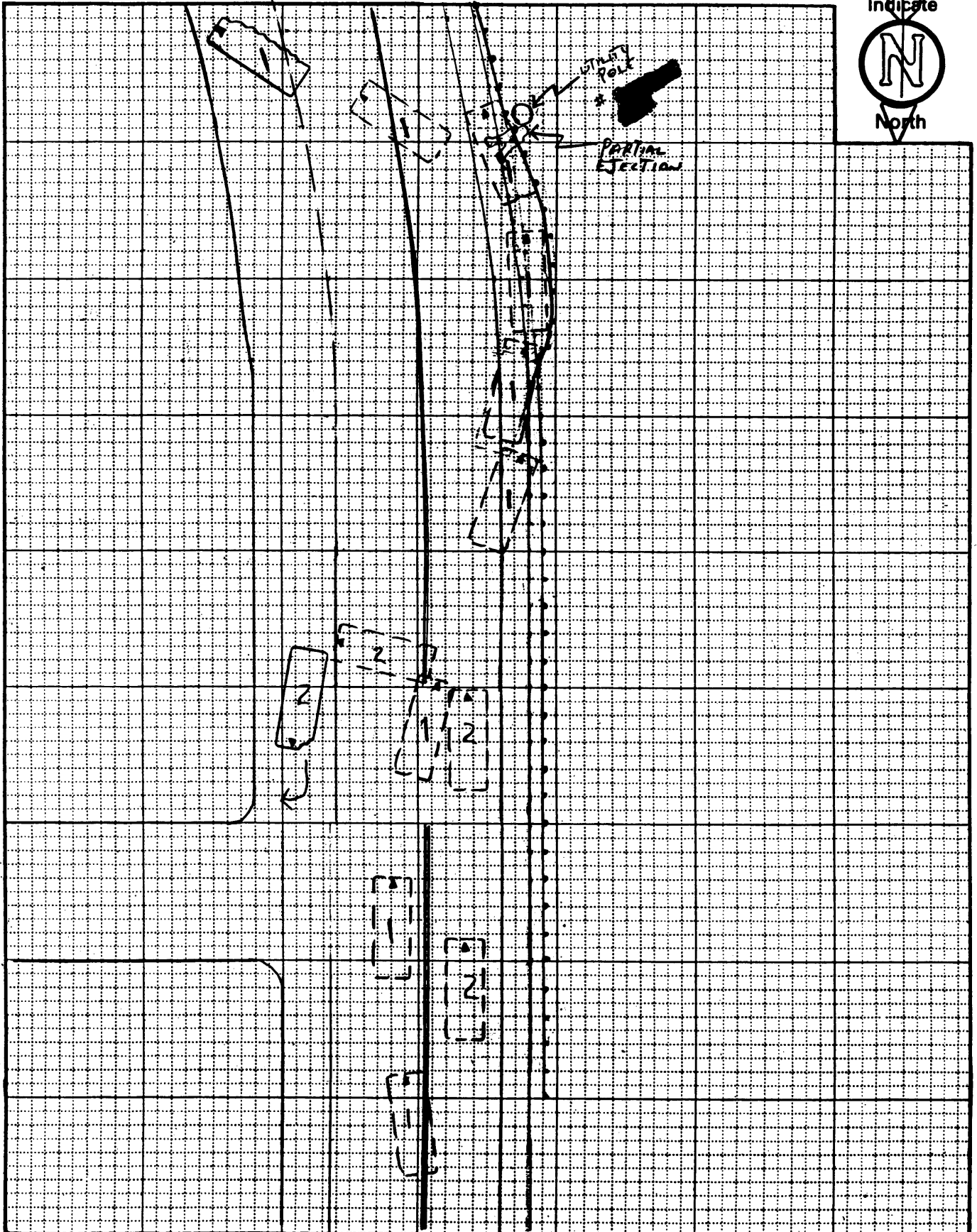
NATIONAL ACCIDENT SAMPLING SYSTEM
CRASHWORTHINESS DATA SYSTEM

ACCIDENT COLLISION DIAGRAM

PSU No. 09

Case Number - Stratum 506A

SCALE 1" = 20'





ACCIDENT FORM

1. Primary Sampling Unit Number 09
2. Case Number - Stratum 506A

IDENTIFICATION

3. Number of General Vehicle Forms Submitted 02
4. Date of Accident (Month, Day, Year) / / 92
5. Time of Accident 0130

Code reported military time of accident.

NOTE: Midnight = 2400
Unknown = 9999

SPECIAL STUDIES - INDICATORS

Check (✓) each special study (SS12-SS16 below) that has been completed; code 1 for the checked special studies and 0 for the special studies not checked.

6. SS12 Not Active 0
7. SS13 Not Active 0
8. SS14 Fatal AOPS 1
9. SS15 0
10. SS16 0

NUMBER OF EVENTS

11. Number of Recorded Events in This Accident 02
Code the number of events which occurred in this accident.

ACCIDENT EVENTS

For each event that occurred in the accident, code the lowest numbered vehicle in the left columns and the other involved vehicle or object on the right.

Accident Event Sequence Number	Vehicle Number	Class Of Vehicle	General Area of Damage	Vehicle Number or Object Contacted	Class Of Vehicle	General Area of Damage
12. <u>01</u>	13. <u>01</u>	14. <u>02</u>	15. <u>F</u>	16. <u>02</u>	17. <u>02</u>	18. <u>L</u>
19. <u>02</u>	20. <u>01</u>	21. <u>02</u>	22. <u>FR</u>	23. <u>56</u>	24. <u>00</u>	25. <u>0</u>
26. <u>03</u>	27. <u> </u>	28. <u> </u>	29. <u> </u>	30. <u> </u>	31. <u> </u>	32. <u> </u>
33. <u>04</u>	34. <u> </u>	35. <u> </u>	36. <u> </u>	37. <u> </u>	38. <u> </u>	39. <u> </u>
40. <u>05</u>	41. <u> </u>	42. <u> </u>	43. <u> </u>	44. <u> </u>	45. <u> </u>	46. <u> </u>

IF GREATER THAN FIVE EVENTS, CONTINUE CODING ON THE ACCIDENT EVENT SUPPLEMENT

CODES FOR CLASS OF VEHICLE

- (00) Not a motor vehicle
- (01) Subcompact/mini (wheelbase < 100 inches)
- (02) Compact (wheelbase = 100 – 104 inches)
- (03) Intermediate (wheelbase = 105 – 109 inches)
- (04) Full size (wheelbase = 110 – 114 inches)
- (05) Largest (wheelbase ≥ 115 inches)
- (09) Unknown passenger car size
- (11) Compact utility vehicle
- (12) Large utility vehicle (≤ 10,000 lbs GVWR)
- (13) Passenger van (≤ 10,000 lbs GVWR)
- (14) Other van (≤ 10,000 lbs GVWR)
- (15) Pickup truck (≤ 10,000 lbs GVWR)
- (18) Other truck (≤ 10,000 lbs GVWR)
- (19) Unknown light truck type
- (20) School bus
- (21) Other bus
- (22) Truck (> 10,000 lbs GVWR)
- (23) Tractor without trailer
- (24) Tractor-trailer(s)
- (25) Motored cycle
- (28) Other vehicle
- (99) Unknown

CODES FOR GENERAL AREA OF DAMAGE (GAD)

CDS APPLICABLE AND OTHER VEHICLES

- (O) Not a motor vehicle
- (N) Noncollision
- (F) Front
- (R) Right side
- (L) Left side
- (B) Back
- (T) Top
- (U) Undercarriage
- (9) Unknown

TDC APPLICABLE VEHICLES

- (O) Not a motor vehicle
- (N) Noncollision
- (F) Front
- (R) Right side
- (L) Left side
- (B) Back of unit with cargo area (rear of trailer or straight truck)
- (D) Back (rear of tractor)
- (C) Rear of cab
- (V) Front of cargo area
- (T) Top
- (U) Undercarriage
- (9) Unknown

CODES FOR VEHICLE NUMBER OR OBJECT CONTACTED

(01-30) – Vehicle Number

Noncollision

- (31) Overturn – rollover
- (32) Fire or explosion
- (33) Jackknife
- (34) Other intraunit damage (specify): _____

(35) Noncollision injury

(38) Other noncollision (specify): _____

(39) Noncollision – details unknown

Collision With Fixed Object

- (41) Tree (≤ 4 inches in diameter)
- (42) Tree (> 4 inches in diameter)
- (43) Shrubby or bush
- (44) Embankment

(45) Breakaway pole or post (any diameter)

Nonbreakaway Pole or Post

- (50) Pole or post (≤ 4 inches in diameter)
- (51) Pole or post (> 4 inches but ≤ 12 inches in diameter)
- (52) Pole or post (> 12 inches in diameter)
- (53) Pole or post (diameter unknown)

(54) Concrete traffic barrier

(55) Impact attenuator

(56) Other traffic barrier (includes guardrail) (specify): _____

(57) Fence

(58) Wall

(59) Building

(60) Ditch or culvert

(61) Ground

(62) Fire hydrant

(63) Curb

(64) Bridge

(68) Other fixed object (specify): _____

(69) Unknown fixed object

Collision with Nonfixed Object

(71) Motor vehicle not in-transport

(72) Pedestrian

(73) Cyclist or cycle

(74) Other nonmotorist or conveyance

(75) Vehicle occupant

(76) Animal

(77) Train

(78) Trailer, disconnected in transport

(88) Other nonfixed object (specify): _____

(89) Unknown nonfixed object

(98) Other event (specify): _____

(99) Unknown event or object

OCCUPANT RELATED

- 16. Driver Presence in Vehicle 1
 (0) Driver not present
 (1) Driver present
 (9) Unknown
- 17. Number of Occupants This Vehicle 0 1
 (00-96) Code actual number of occupants for this vehicle
 (97) 97 or more
 (99) Unknown
- 18. Number of Occupant Forms Submitted 0 1

- 24. Rollover 0
 (0) No rollover (no overturning)

Rollover (primarily about the longitudinal axis)
 (1) Rollover, 1 quarter turn only
 (2) Rollover, 2 quarter turns
 (3) Rollover, 3 quarter turns
 (4) Rollover, 4 or more quarter turns (specify):

 (5) Rollover--end-over-end (i.e., primarily about the lateral axis)
 (9) Rollover (overturn), details unknown

VEHICLE WEIGHT ITEMS

- 19. Vehicle Curb Weight 0 2, 9 0 0
2943 Code weight to nearest 100 pounds.
 (010) Less than 1050 pounds
 (135) 13,500 pounds or more
 (999) Unknown

Source: _____

- 20. Vehicle Cargo Weight 0, 0 0 0
 _____ Code weight to nearest 100 pounds.
 (00) Less than 50 pounds
 (97) 9,650 pounds or more
 (99) Unknown

OVERRIDE/UNDERRIDE (THIS VEHICLE)

- 25. Front Override/Underride (this Vehicle) 0
- 26. Rear Override/Underride (this Vehicle) 0
 (0) No override/underride, or not an end-to-end impact

Override (see specific CDC)
 (1) 1st CDC
 (2) 2nd CDC
 (3) Other not automated CDC (specify):

Underride (see specific CDC)
 (4) 1st CDC
 (5) 2nd CDC
 (6) Other not automated CDC (specify):

 (7) Medium/heavy truck or bus override
 (9) Unknown

RECONSTRUCTION DATA

- 21. Towed Trailing Unit 0
 (0) No towed unit
 (1) Yes--towed trailing unit
 (9) Unknown

- 22. Documentation of Trajectory Data for This Vehicle 0 X
 (0) No *final rest unknown*
 (1) Yes
NACS CODING CHANGE
 1st Review: 1A
 2nd Review: _____

- 23. Post Collision Condition of Tree or Pole (For Highest Delta V) 0
 (0) Not collision (for highest delta V) with tree or pole
 (1) Not damaged
 (2) Cracked/sheared
 (3) Tilted <45 degrees
 (4) Tilted ≥45 degrees
 (5) Uprooted tree
 (6) Separated pole from base
 (7) Pole replaced
 (8) Other (specify):

 (9) Unknown

HEADING ANGLE AT IMPACT FOR HIGHEST DELTA V

- Values: (000)-(359) Code actual value
 (997) Noncollision
 (998) Impact with object
 (999) Unknown
- 27. Heading Angle For This Vehicle 9 9 8
 - 28. Heading Angle For Other Vehicle 9 9 8

Category	Configuration	ACCIDENT TYPES (Includes Intent)				
I. Single Driver	A. Right Roadside Departure	01 DRIVE OFF ROAD	02 CONTROL/ TRACTION LOSS	03 AVOID COLLISION WITH VEH., PED., ANIM.	04 SPECIFICS OTHER	05 SPECIFICS UNKNOWN
	B. Left Roadside Departure	06 DRIVE OFF ROAD	07 CONTROL/ TRACTION LOSS	08 AVOID COLLISION WITH VEH., PED., ANIM.	09 SPECIFICS OTHER	10 SPECIFICS UNKNOWN
	C. Forward Impact	11 PARKED VEH.	12 STA. OBJECT	13 PEDESTRIAN/ ANIMAL	14 END DEPARTURE	15 SPECIFICS OTHER
II. Same Trafficway Same Direction	D. Rear-End	20 STOPPED 21, 22, 23	24 SLOWER 25, 26, 27	28 DECEL. 29, 30, 31	30 SPECIFICS OTHER	(EACH • 32) (EACH • 33) SPECIFICS UNKNOWN
	E. Forward Impact	34 CONTROL/ TRACTION LOSS	36 CONTROL/ TRACTION LOSS	38 AVOID COLLISION WITH VEH.	40 AVOID COLLISION WITH OBJECT	(EACH • 42) (EACH • 43) SPECIFICS OTHER SPECIFICS UNKNOWN
	F. Sideswipe Angle	44 SIDESWIPE	46 ANGLE	(EACH • 48) SPECIFICS OTHER		(EACH • 49) SPECIFICS UNKNOWN
III. Same Trafficway Opposite Direction	G. Head-On	50 LATERAL MOVE	(EACH • 52) SPECIFICS OTHER		(EACH • 53) SPECIFICS UNKNOWN	
	H. Forward Impact	54 CONTROL/ TRACTION LOSS	56 CONTROL/ TRACTION LOSS	58 AVOID COLLISION WITH VEH.	60 AVOID COLLISION WITH OBJECT	(EACH • 62) (EACH • 63) SPECIFICS OTHER SPECIFICS UNKNOWN
	I. Sideswipe/Angle	64 LATERAL MOVE	(EACH • 66) SPECIFICS OTHER		(EACH • 67) SPECIFICS UNKNOWN	
IV. Change Trafficway Vehicle Turning	J. Turn Across Path	68 INITIAL OPPOSITE DIRECTIONS	70 INITIAL SAME DIRECTIONS	72 SPECIFICS OTHER	(EACH • 74) (EACH • 75) SPECIFICS UNKNOWN	
	K. Turn Into Path	77 TURN INTO SAME DIRECTION	79 TURN INTO OPPOSITE DIRECTIONS	81 SPECIFICS OTHER	(EACH • 84) (EACH • 85) SPECIFICS UNKNOWN	
V. Intersecting Paths (Vehicle Damage)	L. Straight Paths	86 STRAIGHT PATHS	88 SPECIFICS OTHER	(EACH • 90) SPECIFICS UNKNOWN		
VI. Miscellaneous	M. Backing Etc.	92 BACKING VEH.	93 OTHER VEH. OR OBJECT		98 Other Accident Type 99 Unknown Accident Type 00 No Impact	

09-506A
VI**OTHER DATA**

56. Driver's Zip Code

- (00000) Driver not present
 (00001) Driver not a resident of U.S. or territories
 Code actual 5-digit zip code
 (99999) Unknown

57. Driver's Race/Ethnic Origin

- (0) Driver not present
 (1) White (non-Hispanic)
 (2) Black (non-Hispanic)
 (3) White (Hispanic)
 (4) Black (Hispanic)
 (5) American Indian, Eskimo or Aleut
 (6) Asian or Pacific Islander
 (8) Other (specify):
 (9) Unknown

58. Vehicle Special Use (This Trip)

- (0) No special use
 (1) Taxi
 (2) Vehicle used as school bus
 (3) Vehicle used as other bus
 (4) Military
 (5) Police
 (6) Ambulance
 (7) Hearse
 (8) Fire truck or car
 (9) Unknown

ROLLOVER DATA

If GV07 (Body Type) \neq 1-49, leave GV59-GV63 blank.
 If GV24 (Rollover) = 0, then GV59-GV63 must equal 0.
 If GV24 = 9, then GV59-GV63 must equal 9.

59. Rollover Initiation Type

- (0) No rollover
 (1) Trip-over
 (2) Flip-over
 (3) Turn-over
 (4) Climb-over
 (5) Fall-over
 (6) Bounce-over
 (7) Collision with another vehicle
 (8) Other rollover initiation type specify):
 (9) Unknown rollover initiation type

60. Location of Rollover Initiation

- (0) No rollover
 (1) On roadway
 (2) On shoulder—paved
 (3) On shoulder—unpaved
 (4) On roadside or divided trafficway median
 (9) Unknown

61. Rollover Initiation Object Contacted

0 0

62. Location on Vehicle Where Initial Principal Tripping Force Is Applied

0

- (0) No rollover
 (1) Wheels/tires
 (2) Side plane
 (3) End plane
 (4) Undercarriage
 (5) Other location on vehicle (specify):
 (8) Non-contact rollover forces (specify):
 (9) Unknown

63. Direction of Initial Roll

0

- (0) No rollover
 (1) Roll right - primarily about the longitudinal axis
 (2) Roll left - primarily about the longitudinal axis
 (5) End-over-end (i.e., primarily about the lateral axis)
 (9) Unknown roll direction

PRECRASH DATA

64. Pre-Event Movement (Prior to Recognition of Critical Event)

NASS CODING CHANGE

1st Review: 1A

2nd Review:

- (01) Going straight
 (02) Slowing or stopping in traffic lane
 (03) Starting in traffic lane
 (04) Stopped in traffic lane
 (05) Passing or overtaking another vehicle
 (06) Disabled or parked in travel lane
 (07) Leaving a parking position
 (08) Entering a parking position
 (09) Turning right
 (10) Turning left
 (11) Making a U-turn
 (12) Backing up (other than for parking position)
 (13) Negotiating a curve
 (14) Changing lanes
 (15) Merging
 (16) Successful avoidance maneuver to a previous critical event
 (97) Other (specify):
 (98) No driver present
 (99) Unknown

CODES FOR ROLLOVER INITIATION OBJECT CONTACTED

- (00) No rollover
- (01-30) — Vehicle Number

Noncollision

- (31) Turn-over — fall-over
- (33) Jackknife

Collision With Fixed Object

- (41) Tree (\leq 4 inches in diameter)
- (42) Tree ($>$ 4 inches in diameter)
- (43) Shrubbery or bush
- (44) Embankment

- (45) Breakaway pole or post (any diameter)

Nonbreakaway Pole or Post

- (50) Pole or post (\leq 4 inches in diameter)
- (51) Pole or post ($>$ 4 inches but \leq 12 inches in diameter)
- (52) Pole or post ($>$ 12 inches in diameter)
- (53) Pole or post (diameter unknown)

- (54) Concrete traffic barrier
- (55) Impact attenuator
- (56) Other traffic barrier (includes guardrail)
(specify): _____

- (57) Fence
- (58) Wall
- (59) Building
- (60) Ditch or culvert
- (61) Ground
- (62) Fire hydrant
- (63) Curb
- (64) Bridge
- (68) Other fixed object (specify):

-
- (69) Unknown fixed object

Collision with Nonfixed Object

- (71) Motor vehicle not in-transport
- (76) Animal
- (77) Train
- (78) Trailer, disconnected in transport
- (88) Other nonfixed object (specify):

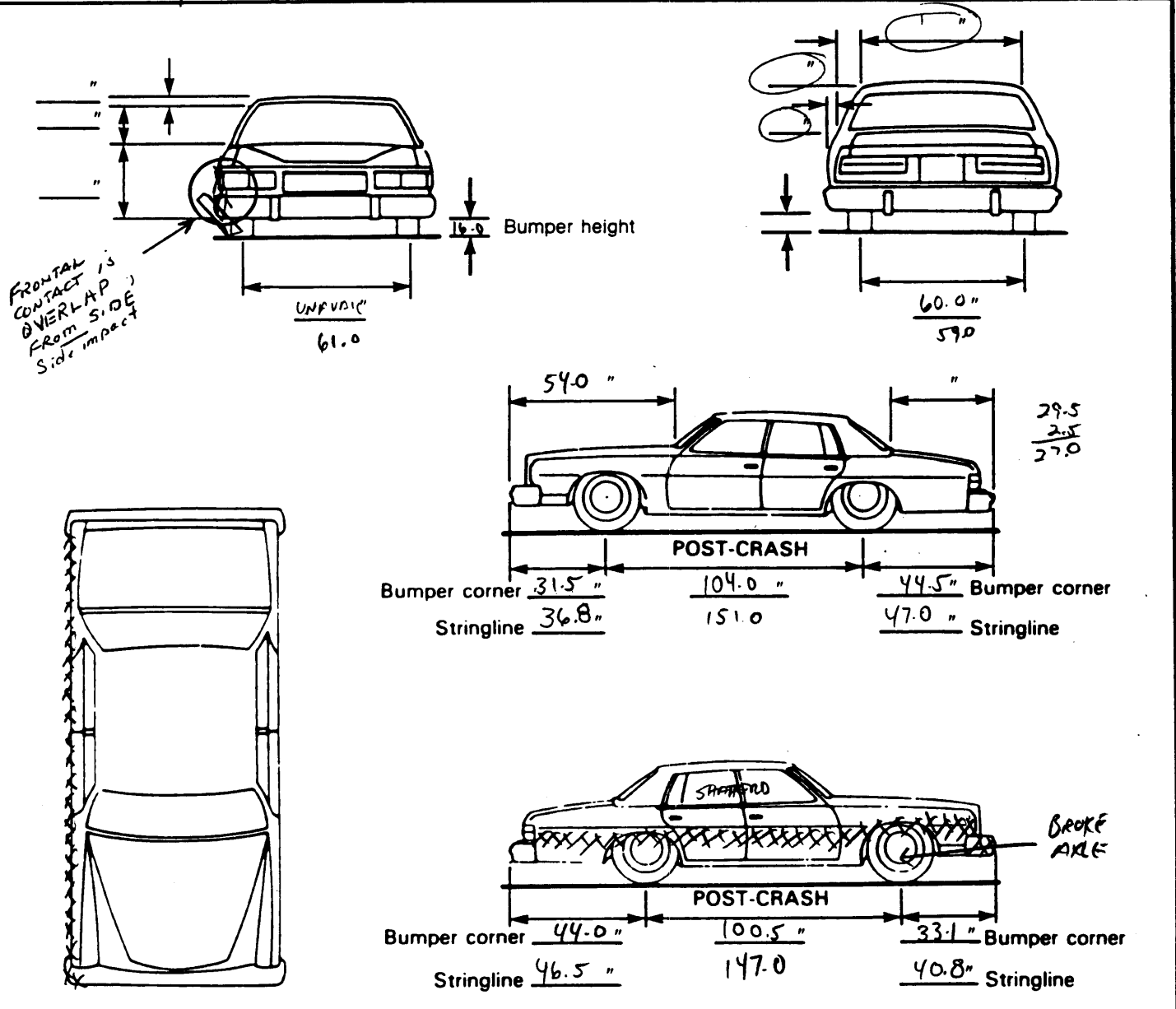
-
- (89) Unknown nonfixed object

- (98) Other event (specify):

-
- (99) Unknown event or object

VEHICLE DAMAGE SKETCH

TIRE - WHEEL DAMAGE a. Rotation physically restricted RF <u>1</u> LF <u>2</u> RR <u>2</u> LR <u>2</u> (1) Yes (2) No (8) NA (9) Unk.		ORIGINAL SPECIFICATIONS Wheelbase <u>103.1</u> Overall Length <u>187.8</u> Maximum Width <u>69.7</u> Curb Weight <u>2943</u> Average Track <u>60.0</u> Front Overhang <u>37.7</u> Rear Overhang <u>47.0</u> Engine Size: cyl./ displ. <u>I4</u> Undeformed End Width <u>59.0</u>		WHEEL STEER ANGLES (For locked front wheels or displaced rear axles only) RF ± _____ ° LF ± _____ ° RR ± _____ ° LR ± _____ ° Within ± 5 degrees	
TYPE OF TRANSMISSION <input type="checkbox"/> Manual <input checked="" type="checkbox"/> Automatic				DRIVE WHEELS <input checked="" type="checkbox"/> FWD <input type="checkbox"/> RWD <input type="checkbox"/> 4WD	
				Approximate Cargo Weight <u>ϕ</u>	



NOTES: Sketch new perimeter and cross hatch direct damage and single hatch induced damage on all views. Annotate observations which might be useful in reconstructing the accident (e.g., grass in tire bead, direction of striations, scuff on sidewall, etc.). If pulling trailer, sketch type of trailer and damage received on the back of this page. Annotate any damage caused by extrication such as component removal by torching, prying, or hydraulic shears.



INTERIOR VEHICLE FORM

GLAZING

1. Primary Sampling Unit Number 09
2. Case Number - Stratum 506A
3. Vehicle Number 01

INTEGRITY

4. Passenger Compartment Integrity 06
(00) No integrity loss

Yes, Integrity Was Lost Through

- (01) Windshield
- (02) Door (side)
- (03) Door/hatch (back door)
- (04) Roof
- (05) Roof glass
- (06) Side window
- (07) Rear window (backlight)
- (08) Roof and roof glass
- (09) Windshield and door (side)
- (10) Windshield and roof
- (11) Side and rear window (side window and backlight)
- (12) Windshield and side window
- (13) Door and side window
- (98) Other combination of above (specify):

- (99) Unknown

Door, Tailgate or Hatch Opening

5. LF 1 6. RF 1 7. LR 1 8. RR 1 9. TG/H 0

- (0) No door/gate/hatch
- (1) Door/gate/hatch remained closed and operational
- (2) Door/gate/hatch came open during collision
- (3) Door/gate/hatch jammed shut
- (8) Other (specify):

- (9) Unknown

Damage/Failure Associated with Door, Tailgate or Hatch Opening in Collision. If IV05-IV09 ≠ 2, Then code 0

10. LF 0 11. RF 0 12. LR 0 13. RR 0 14. TG/H 0

- (0) No door/gate/hatch or door not opened

Door, Tailgate or Hatch Came Open During Collision

- (1) Door operational (no damage)
- (2) Latch/striker failure due to damage
- (3) Hinge failure due to damage
- (4) Door structure failure due to damage
- (5) Door support (i.e., pillar, sill, roof side rail, etc.) failure due to damage
- (6) Latch/striker and hinge failure due to damage
- (8) Other failure (specify):

- (9) Unknown

Glazing Damage from Impact Forces

15. WS 0 16. LF 0 17. RF 0 18. LR 0 19. RR 0
20. BL 0 21. Roof 8 22. Other 0

- (0) No glazing damage from impact forces
- (2) Glazing in place and cracked from impact forces
- (3) Glazing in place and holed from impact forces
- (4) Glazing out-of-place (cracked or not) and not holed from impact forces
- (5) Glazing out-of-place and holed from impact forces
- (6) Glazing disintegrated from impact forces
- (7) Glazing removed prior to accident
- (8) No glazing
- (9) Unknown if damaged

*Broken when occ #15
head was snipped
backward*

Glazing Damage from Occupant Contact

23. WS 0 24. LF 0 25. RF 6 26. LR 0 27. RR 6
28. BL 0 29. Roof 0 30. Other 0

- (0) No occupant contact to glazing or no glazing
- (1) Glazing contacted by occupant but no glazing damage
- (2) Glazing in place and cracked by occupant contact
- (3) Glazing in place and holed by occupant contact
- (4) Glazing out-of-place (cracked or not) by occupant contact and not holed by occupant contact
- (5) Glazing out-of-place by occupant contact and holed by occupant contact
- (6) Glazing disintegrated by occupant contact
- (9) Unknown if contacted by occupant

If No Glazing Damage *And* No Occupant Contact or No Glazing, Then Code IV31 Through IV46 As 0

Type of Window/Windshield Glazing

31. WS 0 32. LF 0 33. RF 2 34. LR 0 35. RR 2
36. BL 0 37. Roof 0 38. Other 0

- (0) No glazing contact and no damage, or no glazing
- (1) AS-1 - Laminated
- (2) AS-2 - Tempered
- (3) AS-3 - Tempered-tinted
- (4) AS-14 - Glass/Plastic
- (8) Other (specify):

- (9) Unknown

Window Precrash Glazing Status

39. WS 0 40. LF 0 41. RF 2 42. LR 0 43. RR 2
44. BL 0 45. Roof 0 46. Other 0

- (0) No glazing contact and no damage, or no glazing
- (1) Fixed
- (2) Closed
- (3) Partially opened
- (4) Fully opened
- (9) Unknown

OCCUPANT AREA INTRUSION:

Note: If no intrusions, leave variables IV47-IV86 blank.

	Location of Intrusion	Intruding Component	Magnitude of Intrusion	Dominant Crush Direction
1st	47. _____	48. _____	49. _____	50. _____
2nd	51. _____	52. _____	53. _____	54. _____
3rd	55. _____	56. _____	57. _____	58. _____
4th	59. _____	60. _____	61. _____	62. _____
5th	63. _____	64. _____	65. _____	66. _____
6th	67. _____	68. _____	69. _____	70. _____
7th	71. _____	72. _____	73. _____	74. _____
8th	75. _____	76. _____	77. _____	78. _____
9th	79. _____	80. _____	81. _____	82. _____
10th	83. _____	84. _____	85. _____	86. _____

NONE

INTRUDING COMPONENT

Interior Components

- (01) Steering assembly
- (02) Instrument panel left
- (03) Instrument panel center
- (04) Instrument panel right
- (05) Toe pan
- (06) A-pillar
- (07) B-pillar
- (08) C-pillar
- (09) D-pillar
- (10) Door panel (side)
- (12) Roof (or convertible top)
- (13) Roof side rail
- (14) Windshield
- (15) Windshield header
- (16) Window frame
- (17) Floor pan (includes sill)
- (18) Backlight header
- (19) Front seat back
- (20) Second seat back
- (21) Third seat back
- (22) Fourth seat back
- (23) Fifth seat back
- (24) Seat cushion
- (25) Back door/panel (e.g., tailgate)
- (26) Other interior component (specify): _____

- (27) Side panel - forward of the A-pillar
- (28) Side panel - rear of the A-pillar

Exterior Components

- (30) Hood
- (31) Outside surface of this vehicle (specify): _____
- (32) Other exterior object in the environment (specify): _____
- (33) Unknown exterior object
- (97) Catastrophic
- (98) Intrusion of unlisted component(s) (specify): _____
- (99) Unknown

LOCATION OF INTRUSION

- Front Seat
- (11) Left
 - (12) Middle
 - (13) Right

- Fourth Seat
- (41) Left
 - (42) Middle
 - (43) Right

- Second Seat
- (21) Left
 - (22) Middle
 - (23) Right

- (97) Catastrophic
- (98) Other enclosed area (specify) _____

- Third Seat
- (31) Left
 - (32) Middle
 - (33) Right

- (99) Unknown

MAGNITUDE OF INTRUSION

- (1) ≥ 1 inch but < 3 inches
- (2) ≥ 3 inches but < 6 inches
- (3) ≥ 6 inches but < 12 inches
- (4) ≥ 12 inches but < 18 inches
- (5) ≥ 18 inches but < 24 inches
- (6) ≥ 24 inches
- (7) Catastrophic
- (9) Unknown

DOMINANT CRUSH DIRECTION

- (1) Vertical
- (2) Longitudinal
- (3) Lateral
- (7) Catastrophic
- (9) Unknown

STEERING RIM/SPOKE DEFORMATION

COMPARISON VALUE

-

DAMAGE VALUE

=

DEFORMATION

-

=

-

=

-

=

-

=

Note

STEERING COLUMN

87. Steering Column Type 2
 (1) Fixed column
 (2) Tilt column
 (3) Telescoping column
 (4) Tilt and telescoping column
 (8) Other column type (specify): _____
 (9) Unknown

88. Blank X X
 (This variable is left blank so that numbering consistency can be maintained with the 1988-91 CDS.)

89. Blank X X X
 (This variable is left blank so that numbering consistency can be maintained with the 1988-91 CDS.)


90. Blank X X X
 (This variable is left blank so that numbering consistency can be maintained with the 1988-91 CDS.)

91. Blank X X X
 (This variable is left blank so that numbering consistency can be maintained with the 1988-91 CDS.)

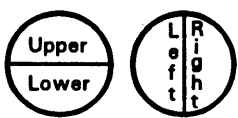
92. Steering Rim/Spoke Deformation 0
 Code actual measured deformation to the nearest inch.
 (0) No steering rim deformation
 (1-5) Actual measured value
 (6) 6 inches or more
 (8) Observed deformation cannot be measured
 (9) Unknown

93. Location of Steering Rim/Spoke Deformation 0 0
 (00) No steering rim deformation

Quarter Sections
 (01) Section A
 (02) Section B
 (03) Section C
 (04) Section D



Half Sections
 (05) Upper half of rim/spoke
 (06) Lower half of rim/spoke
 (07) Left half of rim/spoke
 (08) Right half of rim/spoke



(09) Complete steering wheel collapse
 (10) Undetermined location
 (99) Unknown

INSTRUMENT PANEL

94. Odometer Reading 0 15,000
01511 miles—Code mileage to the nearest 1,000 miles
 (000) No odometer
 (001) Less than 1,500 miles
 (300) 299,500 miles or more
 (999) Unknown
 Source: _____

95. Instrument Panel Damage from Occupant Contact? 1
 (0) No
 (1) Yes
 (9) Unknown

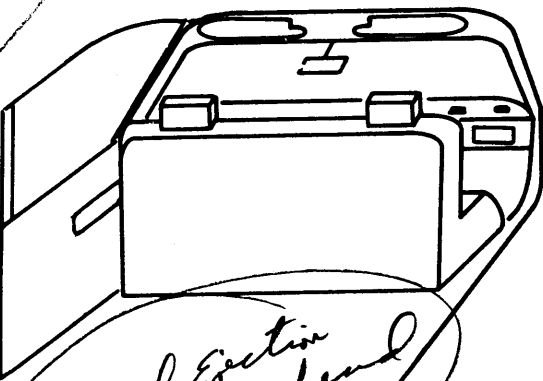
96. Knee Bolsters Deformed from Occupant Contact? 8
 (0) No
 (1) Yes
 (8) Not present
 (9) Unknown

97. Did Glove Compartment Door Open During Collision(s)? 0
 (0) No
 (1) Yes
 (8) Not present
 (9) Unknown

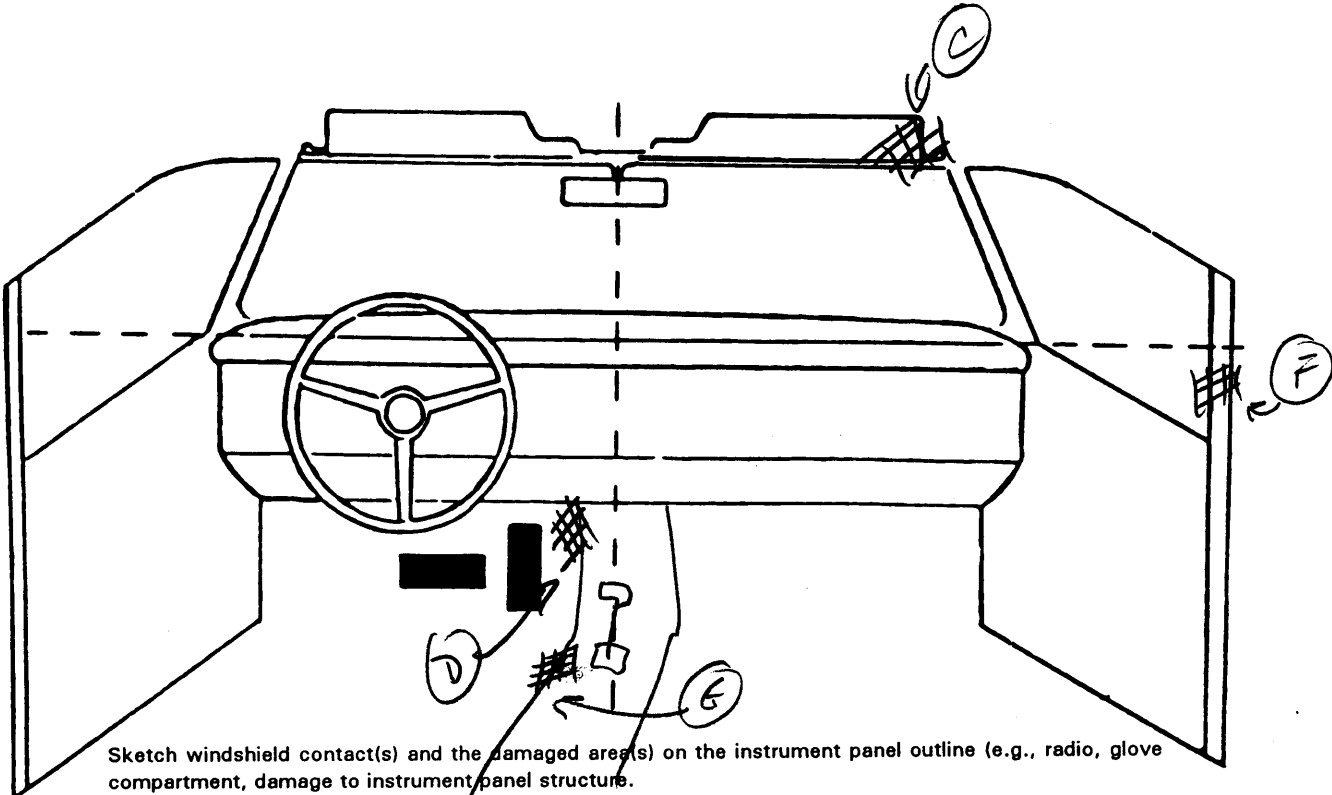
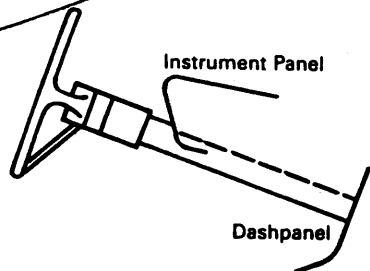
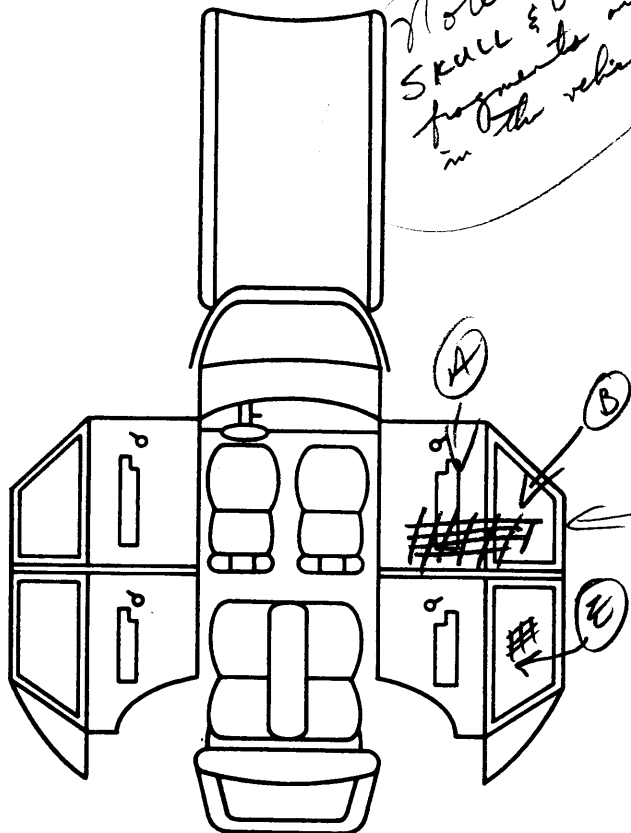
VEHICLE INTERIOR SKETCHES

Note area of ejection/entrapment

Note: SKULL & BRAIN fragments are still in the vehicle



Partial Ejection of Occ #1's head thru R. glazing



Sketch windshield contact(s) and the damaged area(s) on the instrument panel outline (e.g., radio, glove compartment, damage to instrument panel structure).
Cross hatch contact points, draw spider webs or use other annotation as may be appropriate.
Annotate the contacted area with a letter (begin with A) and list on the Points of Occupant Contact page.

POINTS OF OCCUPANT CONTACT

Contact	Interior Component Contacted	Occupant No. If Known	Body Region If Known	Supporting Physical Evidence	Confidence Level of Contact Point
A	30/31	1	(P) Side	DEFORMED OUTWARD	1
B	35	1	Head	Shaving Disintegrated	2
C	03 (P)	1	"	Broken	2
D	10	1	Legs	Deformed	1
E	35	1	Head	During/After Decapitation	2
F	33	1	(P) Shoulder	CAR SEAT	1
G	57	1	(P) Leg	cracked/Deformed	2
H					
I					
J					
K					
L					
M					
N					

CODES FOR INTERIOR COMPONENTS

FRONT

- (01) Windshield
- (02) Mirror
- (03) Sunvisor
- (04) Steering wheel rim
- (05) Steering wheel hub/spoke
- (06) Steering wheel (combination of codes 04 and 05)
- (07) Steering column, transmission selector lever, other attachment
- (08) Add on equipment (e.g., CB, tape deck, air conditioner)
- (09) Left instrument panel and below
- (10) Center instrument panel and below
- (11) Right instrument panel and below
- (12) Glove compartment door
- (13) Knee bolster
- (14) Windshield including one or more of the following: front header, A-pillar, instrument panel, mirror, or steering assembly (driver side only)
- (15) Windshield including one or more of the following: front header, A-pillar, instrument panel, or mirror (passenger side only)
- (16) Other front object (specify): _____

LEFT SIDE

- (20) Left side interior surface, excluding hardware or armrests
- (21) Left side hardware or armrest
- (22) Left A pillar
- (23) Left B pillar
- (24) Other left pillar (specify): _____
- (25) Left side window glass or frame

- (26) Left side window glass including one or more of the following: frame, window sill, A pillar, B pillar, or roof side rail.
- (27) Other left side object (specify): _____

RIGHT SIDE

- (28) Left side window sill
- (30) Right side interior surface, excluding hardware or armrests
- (31) Right side hardware or armrest
- (32) Right A pillar
- (33) Right B pillar
- (34) Other right pillar (specify): _____
- (35) Right side window glass or frame
- (36) Right side window glass including one or more of the following: frame, window sill, A pillar, B pillar, or roof side rail.
- (37) Other right side object (specify): _____
- (38) Right side window sill

INTERIOR

- (40) Seat, back support
- (41) Belt restraint webbing/buckle
- (42) Belt restraint B-pillar attachment point
- (43) Other restraint system component (specify): _____
- (44) Head restraint system
- (45) Air bag
- (46) Other occupants (specify): _____
- (47) Interior loose objects

- (48) Child safety seat (specify): _____

- (49) Other interior object (specify): _____

ROOF

- (50) Front header
- (51) Rear header
- (52) Roof left side rail
- (53) Roof right side rail
- (54) Roof or convertible top

FLOOR

- (56) Floor (including toe pan)
- (57) Floor or console mounted transmission lever, including console
- (58) Parking brake handle
- (59) Foot controls including parking brake

REAR

- (60) Backlight (rear window)
- (61) Backlight storage rack, door, etc.
- (62) Other rear object (specify): _____

CONFIDENCE LEVEL OF CONTACT POINT

- (1) Certain
- (2) Probable
- (3) Possible
- (9) Unknown

AUTOMATIC RESTRAINTS

NOTES: Encode the data for each applicable front seat position. The attribute for the variables may be found below. Restraint systems should be assessed during the vehicle inspection then coded on the Occupant Assessment Form.

AIR BAGS

		Left	Right
F I R S T	Availability/Function	1	
	Deployment	4	
	Failure	1	

Air Bag System Availability/Function

- (0) Not equipped/not available
- (1) Air bag
- Non-functional*
- (2) Air bag disconnected (specify): _____
- (3) Air bag not reinstalled
- (9) Unknown

Air Bag System Deployment

- (0) Not equipped/not available
- (1) Air bag deployed during accident (as a result of impact)
- (2) Air bag deployed inadvertently just prior to accident
- (3) Air bag deployed, accident sequence undetermined
- (4) Nondeployed
- (5) Unknown if deployed
- (6) Air bag deployed as a result of a noncollision event during accident sequence (e.g., fire, explosion, electrical)
- (9) Unknown

Did Air Bag System Fail?

- (0) Not equipped/not available
- (1) No
- (2) Yes (specify): _____
- (9) Unknown

AUTOMATIC BELTS

		Left	Right
F I R S T	Availability/Function		
	Use		
	Type		
	Proper Use		
	Failure Modes		

Automatic (Passive) Belt System Availability/Function

- (0) Not equipped/not available
- (1) 2 point automatic belts
- (2) 3 point automatic belts
- (3) Automatic belts - type unknown
- Non-functional*
- (4) Automatic belts destroyed or rendered inoperative
- (9) Unknown

Proper Use of Automatic (Passive) Belt System

- (0) Not equipped/not available/not used
- (1) Automatic belt used properly
- (2) Automatic belt used properly with child safety seat
- Automatic Belt Used Improperly*
- (3) Automatic shoulder belt worn under arm
- (4) Automatic shoulder belt worn behind back
- (5) Automatic belt worn around more than one person
- (6) Lap portion of automatic belt worn on abdomen
- (7) Automatic lap and shoulder belt or automatic shoulder belt used improperly with child safety seat (specify): _____
- (8) Other improper use of automatic belt system (specify): _____
- (9) Unknown

Automatic (Passive) Belt Failure Modes During Accident

- (0) Not equipped/not available/not in use
- (1) No automatic belt failure(s)
- (2) Torn webbing (stretched webbing not included)
- (3) Broken buckle or latchplate
- (4) Upper anchorage separated
- (5) Other anchorage separated (specify): _____
- (6) Broken retractor
- (7) Combination of above (specify): _____
- (8) Other automatic belt failure (specify): _____
- (9) Unknown

Automatic (Passive) Belt System Use

- (0) Not equipped/not available/destroyed or rendered inoperative
- (1) Automatic belt in use
- (2) Automatic belt not in use (manually disconnected, motorized track inoperative)
- (3) Automatic belt use unknown
- (9) Unknown

Automatic (Passive) Belt System Type

- (0) Not equipped/not available
- (1) Non-motorized system
- (2) Motorized system
- (9) Unknown

MANUAL RESTRAINTS

NOTES: Encode the applicable data for each seat position in the vehicle. The attribute for the variable may be found below. Restraint systems should be assessed during the vehicle inspection then coded on the Occupant Assessment Form.

If a Child safety seat is present, encode the data on the back of this page.

If the vehicle has automatic restraints available, encode the appropriate data on the back of the previous page.

		Left	Center	Right
FIRST	Availability	4	 	4
	Use	00	 	00
	Failure Modes	0	 	0
SECOND	Availability	4	3	4
	Use	00	00	00
	Failure Modes	0	0	0
THIRD	Availability	 	 	
	Use	 	 	
	Failure Modes	 	 	
OTHER	Availability	 	 	
	Use	 	 	
	Failure Modes	 	 	

Manual (Active) Belt System Availability

- (0) None available
- (1) Belt removed/destroyed
- (2) Shoulder belt
- (3) Lap belt
- (4) Lap and shoulder belt
- (5) Belt available - type unknown

Integral Belt Partially Destroyed

- (6) Shoulder belt (lap belt destroyed/removed)
- (7) Lap belt (shoulder belt destroyed/removed)

(8) Other belt (specify): _____

(9) Unknown _____

Manual (Active) Belt System Use

(00) None used, not available, or belt removed/destroyed

(01) Inoperable (specify): _____

(02) Shoulder belt

(03) Lap belt

(04) Lap and shoulder belt

(05) Belt used - type unknown

(08) Other belt used (specify): _____

(12) Shoulder belt used with child safety seat

(13) Lap belt used with child safety seat

(14) Lap and shoulder belt used with child safety seat

(15) Belt used with child safety seat - type unknown

(18) Other belt used with child safety seat (specify): _____

(99) Unknown if belt used

Manual (Active) Belt Failure Modes During Accident

(0) No manual belt used or not available

(1) No manual belt failure(s)

(2) Torn webbing (stretched webbing not included)

(3) Broken buckle or latchplate

(4) Upper anchorage separated

(5) Other anchorage separated (specify): _____

(6) Broken retractor

(7) Combination of above (specify): _____

(8) Other manual belt failure (specify): _____

(9) Unknown _____

CHILD SAFETY SEAT FIELD ASSESSMENT

When a child safety seat is present enter the occupant's number in the first row and complete the column below the occupant's number using the codes listed below. Complete a column for each child safety seat present.

Occupant Number						
1. Type of Child Safety Seat						
2. Child Safety Seat Orientation						
3. Child Safety Seat Harness Usage						
4. Child Safety Seat Shield Usage						
5. Child Safety Seat Tether Usage						
6. Child Safety Seat Make/Model	Specify Below for Each Child Safety Seat					

1. Type of Child Safety Seat

- (0) No child safety seat
- (1) Infant seat
- (2) Toddler seat
- (3) Convertible seat
- (4) Booster seat
- (7) Other type child safety seat (specify):

- (8) Unknown child safety seat type
- (9) Unknown if child safety seat used

2. Child Safety Seat Orientation

- (00) No child safety seat
- Designed for Rear Facing for This Age/Weight
- (01) Rear facing
- (02) Forward facing
- (08) Other orientation (specify):

- (09) Unknown orientation
- Designed for Forward Facing for This Age/Weight
- (11) Rear facing
- (12) Forward facing
- (18) Other orientation (specify):

- (19) Unknown orientation
- Unknown Design or Orientation For This Age/Weight, or Unknown Age/Weight
- (21) Rear facing
- (22) Forward facing
- (28) Other orientation (specify):

- (29) Unknown orientation
- (99) Unknown if child safety seat used

3. Child Safety Seat Harness Usage

- 4. Child Safety Seat Shield Usage
- 5. Child Safety Seat Tether Usage
- Note: Options Below Are Used for Variables 3-5.
- (00) No child safety seat
- Not Designed with Harness/Shield/Tether
- (01) After market harness/shield/tether added, not used
- (02) After market harness/shield/tether used
- (03) Child safety seat used, but no after market harness/shield/tether added
- (09) Unknown if harness/shield/tether added or used
- Designed With Harness/Shield/Tether
- (11) Harness/shield/tether not used
- (12) Harness/shield/tether used
- (19) Unknown if harness/shield/tether used
- Unknown If Designed With Harness/Shield/Tether
- (21) Harness/shield/tether not used
- (22) Harness/shield/tether used
- (29) Unknown if harness/shield/tether used
- (99) Unknown if child safety seat used

6. Child Safety Seat Make/Model (Specify make/model and occupant number)

EJECTION/ENTRAPMENT DATA

Complete the following if the researcher has any indication that an occupant was either ejected from or entrapped in the vehicle. Code the appropriate data on the Occupant Assessment Form.

EJECTION No [] Yes []

Describe indications of ejection and body parts involved in partial ejection(s):

Partial Ejection of Occ #1's head thru RF glazing

Occupant Number	1					
Ejection	2					
(Note on Vehicle Interior Sketch) Ejection Area	3					
Ejection Medium	4					
Medium Status	2					

- Ejection**
- (1) Complete ejection
 - (2) Partial ejection
 - (3) Ejection, Unknown degree
 - (9) Unknown

- Ejection Area**
- (1) Windshield
 - (2) Left front
 - (3) Right front
 - (4) Left rear
 - (5) Right rear
 - (6) Rear

- (7) Roof
- (8) Other area (e.g., back of pickup, etc.) (specify):
- (9) Unknown

- Ejection Medium**
- (1) Door/hatch/tailgate
 - (2) Nonfixed roof structure
 - (3) Fixed glazing
 - (4) Nonfixed glazing (specify):
- RF glazing*

- (5) Integral structure
- (8) Other medium (specify):
- (9) Unknown

- Medium Status (Immediately Prior to Impact)**
- (1) Open
 - (2) Closed
 - (3) Integral structure
 - (9) Unknown

ENTRAPMENT No [] Yes []

Describe entrapment mechanism: _____

None

Component(s): _____

(Note in vehicle interior diagram)

26. Seat Type (this Occupant Position) 0 1
 (00) Occupant not seated or no seat
 (01) Bucket
 (02) Bucket with folding back
 (03) Bench
 (04) Bench with separate back cushions
 (05) Bench with folding back(s)
 (06) Split bench with separate back cushions
 (07) Split bench with folding back(s)
 (08) Pedestal (i.e., column supported)
 (09) Other seat type (specify): _____
 (10) Box mounted seat (i.e., van type)
 (99) Unknown

27. Seat Performance (this Occupant Position) 1
 (0) Occupant not seated or no seat
 (1) No seat performance failure(s)
 (2) Seat adjusters failed
 (3) Seat back folding locks or "seat back" failed
 (4) Seat track/anchors failed
 (5) Deformed by impact of occupant
 (6) Deformed by passenger compartment intrusion (specify): _____

 (7) Combination of above (specify): _____
 (8) Other (specify): _____
 (9) Unknown

CHILD SAFETY SEAT

28. Child Safety Seat Make/Model 0 0 0
 (000) No child safety seat
 Applicable codes are found in your NASS CDS Data Collection, Coding and Editing
 (950) Built-in child safety seat
 (997) Other make/model (specify): _____
 (998) Unknown make/model
 (999) Unknown if child safety seat used

29. Type of Child Safety Seat 0
 (0) No child safety seat
 (1) Infant seat
 (2) Toddler seat
 (3) Convertible seat
 (4) Booster seat
 (7) Other type child safety seat (specify): _____
 (8) Unknown child safety seat type
 (9) Unknown if child safety seat used

30. Child Safety Seat Orientation 0 0
 (00) No child safety seat

Designed for Rear Facing for This Age/Weight
 (01) Rear facing
 (02) Forward facing
 (08) Other orientation (specify): _____

(09) Unknown orientation

Designed For Forward Facing for This Age/Weight
 (11) Rear facing
 (12) Forward facing
 (18) Other orientation (specify): _____

(19) Unknown orientation

Unknown Design or Orientation For This Age/Weight, or Unknown Age/Weight
 (21) Rear facing
 (22) Forward facing
 (28) Other orientation (specify): _____

(29) Unknown orientation

(99) Unknown if child safety seat used

31. Child Safety Seat Harness Usage 0 0

32. Child Safety Seat Shield Usage 0 0

33. Child Safety Seat Tether Usage 0 0

Note: Options below applicable to Variables OA31-OA33.

(00) No child safety seat

Not Designed With Harness/Shield/Tether

- (01) After market harness/shield/tether added, not used
- (02) After market harness/shield/tether used
- (03) Child safety seat used, but no after market harness/shield/tether added
- (09) Unknown if harness/shield/tether added or used

Designed With Harness/Shield/Tether

- (11) Harness/shield/tether not used
- (12) Harness/shield/tether used
- (19) Unknown if harness/shield/tether used

Unknown If Designed With Harness/Shield/Tether

- (21) Harness/shield/tether not used
- (22) Harness/shield/tether used
- (29) Unknown if harness/shield/tether used

(99) Unknown if child safety seat used

PSU NUMBER

09

CASE NUMBER

506A

VEHICLE NUMBER

01

OCCUPANT NUMBER

01

OCCUPANT INJURY FORM

THE FOLLOWING DATA IS NOT INCLUDED IN THIS CASE:

ENTIRE FORM

PAGE NUMBER (S) _____



UPDATE FORM

1. Primary Sampling Unit Number	<u>09</u>	Driver or Occupant Name: <u>[REDACTED]</u>
2. Case Number — Stratum	<u>506A</u>	Address: _____
3. Vehicle Number	<u>01</u>	_____
4. Occupant Number	<u>01</u>	Other Information: <u>92 CAMERY</u>
<u>[REDACTED]</u> 1993	<u>AUT</u>	<u>Autopsy w/ BRAIN SPECIES</u>

(Sanitize this section prior to Update submission.)

UPDATED CASE INFORMATION

	INITIAL SUBMISSION	UPDATED INFORMATION		INITIAL SUBMISSION	UPDATED INFORMATION
GV12. Alcohol Test Result Result for Driver	<u>99</u>	<u>00</u>	OA21. Air Bag System Availability/Function	<u>1</u>	<u>1</u>
GV39. Other Drug Specimen Test Type for Driver	<u>0</u>	<u>1</u>	OA22. Air Bag System Deployment	<u>4</u>	<u>4</u>
GV40.-GV41. Narcotic Drug	<u>00</u>	<u>00</u>	OA35. Treatment - Mortality	<u>1</u>	<u>1</u>
GV42.-GV43. Depressant Drug	<u>00</u>	<u>00</u>	OA36. Type of Medical Facility (for Initial Treatment)	<u>0</u>	<u>0</u>
GV44.-GV45. Stimulant Drug	<u>00</u>	<u>00</u>	OA37. Hospital Stay	<u>00</u>	<u>00</u>
GV46.-GV47. Hallucinogen Drug	<u>00</u>	<u>00</u>	OA38. Working Days Lost	<u>62</u>	<u>62</u>
GV48.-GV49. Cannabinoid Drug	<u>00</u>	<u>00</u>	OA39. Time to Death	<u>01</u>	<u>01</u>
GV50.-GV51. Phencyclidine (PCP)	<u>00</u>	<u>02</u>	OA40. 1st Medically Reported Cause of Death	<u>99</u>	<u>06</u>
GV52.-GV53. Inhalant Drug	<u>00</u>	<u>00</u>	OA41. 2nd Medically Reported Cause of Death	<u>00</u>	<u>00</u>
GV54.-GV55. Other Drug (Excluding Nicotine, Aspirin, Alcohol, Drugs Administered Post-Crash)	<u>00</u>	<u>00</u>	OA42. 3rd Medically Reported Cause of Death	<u>00</u>	<u>00</u>
GV56. Driver's Zip Code	<u>[REDACTED]</u>	<u>[REDACTED]</u>	OA43. Number of Recorded Injuries for This Occupant	<u>01</u>	<u>06</u>
GV57. Driver's Race/Ethnic Origin	<u>2</u>	<u>2</u>	OA44. Automatic (Passive) Belt System Availability/Function	<u>0</u>	<u>0</u>
OA05. Occupant's Age	<u>30</u>	<u>30</u>	OA45. Automatic (Passive) Belt System Use	<u>0</u>	<u>0</u>
OA06. Occupant's Sex	<u>1</u>	<u>1</u>	OA50. Glasgow Coma Scale (GCS) Score	<u>01</u>	<u>01</u>
OA07. Occupant's Height	<u>69</u>	<u>70</u>	OA51. Was the Occupant Given Blood?	<u>1</u>	<u>1</u>
OA08. Occupant's Weight	<u>150</u>	<u>173</u>	OA52. Arterial Blood Gases (ABG) - HCO ₃	<u>01</u>	<u>01</u>
OA17. Manual (Active) Belt System Availability	<u>4</u>	<u>4</u>			
OA18. Manual (Active) Belt System Use	<u>00</u>	<u>00</u>			

National Accident Sampling System-Crashworthiness Data System: Update Form

INJURY DATA:

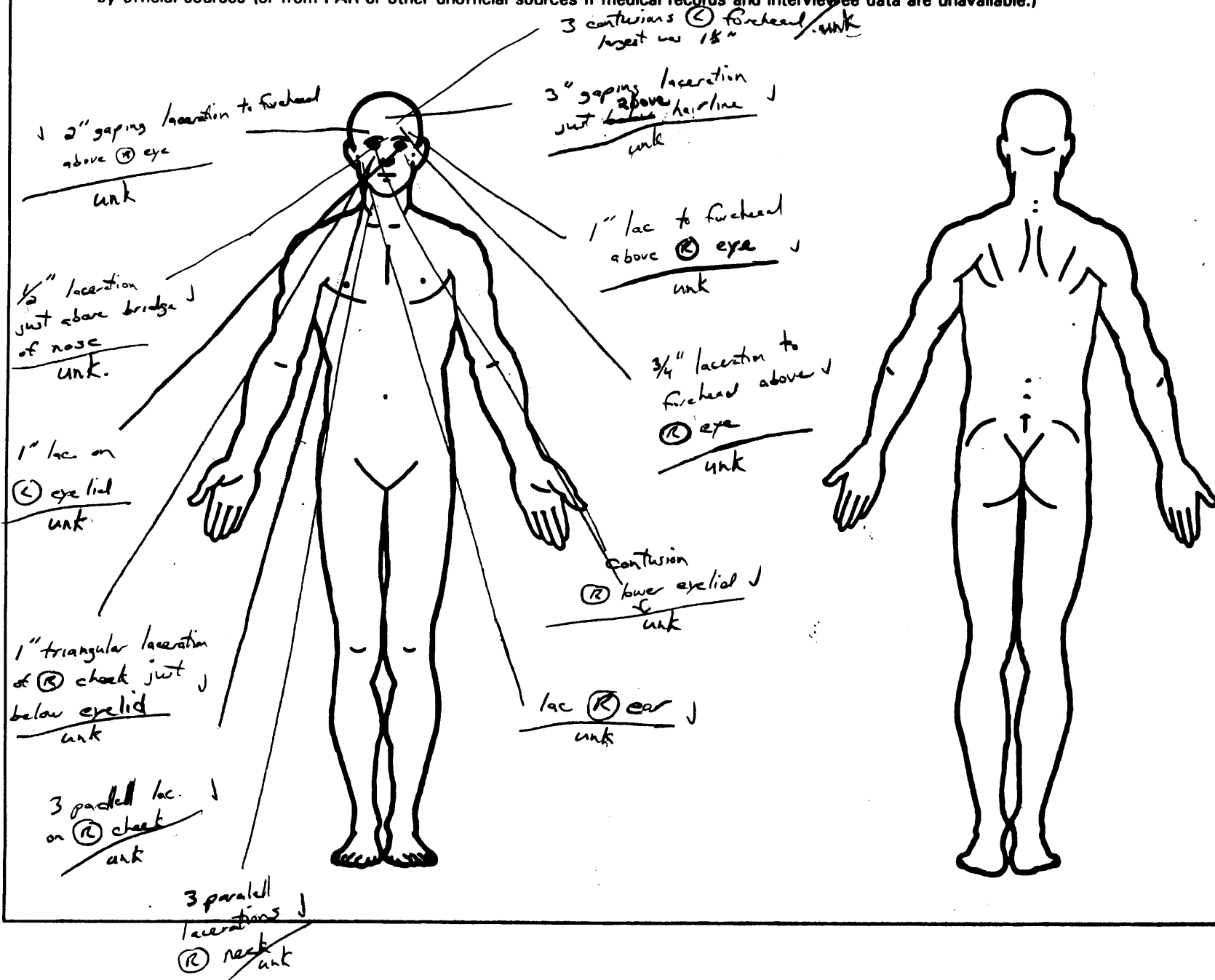
Record below the actual injuries sustained by this occupant that were identified from the official and unofficial data sources. Remember not to double count an injury just because it was identified from two different sources. If greater than ten injuries have been documented, encode the balance on the Occupant Injury Supplement.

	Source of Injury Date	O.I.C.-A.I.S					Injury Source	Injury Source Confidence Level	Direct/Indirect Injury	Occupant Area Intrusion No.
		Body Region	Aspect	Lesion	System Organ	A.I.S. Severity				
1st	✓ 5. <u>1</u>	6. <u>F</u>	7. <u>1</u>	8. <u>F</u>	9. <u>S</u>	10. <u>2</u>	11. <u>85</u>	12. <u>1</u>	13. <u>1</u>	14. <u>00</u>
2nd	✓ 15. <u>1</u>	16. <u>F</u>	17. <u>W</u>	18. <u>L</u>	19. <u>I</u>	20. <u>1</u>	21. <u>85</u>	22. <u>1</u>	23. <u>1</u>	24. <u>00</u>
3rd	✓ 25. <u>1</u>	26. <u>F</u>	27. <u>L</u>	28. <u>L</u>	29. <u>O</u>	30. <u>1</u>	31. <u>85</u>	32. <u>1</u>	33. <u>1</u>	34. <u>00</u>
4th	✓ 35. <u>1</u>	36. <u>F</u>	37. <u>R</u>	38. <u>C</u>	39. <u>O</u>	40. <u>1</u>	41. <u>85</u>	42. <u>1</u>	43. <u>1</u>	44. <u>00</u>
5th	✓ 45. <u>1</u>	46. <u>N</u>	47. <u>R</u>	48. <u>L</u>	49. <u>I</u>	50. <u>1</u>	51. <u>85</u>	52. <u>1</u>	53. <u>1</u>	54. <u>00</u>
6th	✓ 55. <u>1</u>	56. <u>H</u>	57. <u>I</u> <u>N</u>	58. <u>F</u> <u>N</u>	59. <u>S</u> <u>W</u>	60. <u>4</u> <u>8</u>	61. <u>85</u>	62. <u>1</u>	63. <u>1</u>	64. <u>00</u>
7th	65. <u>1</u>	66. <u>H</u>	67. <u>P</u>	68. <u>F</u>	69. <u>S</u>	70. <u>2</u>	71. <u>85</u>	72. <u>1</u>	73. <u>1</u>	74. <u>00</u>
8th	75. <u>1</u>	76. <u>H</u>	77. <u>U</u>	78. <u>F</u>	79. <u>S</u>	80. <u>3</u>	81. <u>85</u>	82. <u>1</u>	83. <u>1</u>	84. <u>00</u>
9th	85. <u>1</u>	86. <u>H</u>	87. <u>I</u>	88. <u>L</u>	89. <u>B</u>	90. <u>6</u>	91. <u>85</u>	92. <u>1</u>	93. <u>1</u>	94. <u>00</u>
10th	95. <u>1</u>	96. <u>H</u>	97. <u>U</u>	98. <u>L</u>	99. <u>B</u>	100. <u>4</u>	101. <u>85</u>	102. <u>1</u>	103. <u>1</u>	104. <u>00</u>

If greater than 10 injuries, continue on reverse side. If greater than 25 injuries, code additional on Occupant Injury Data Supplement.

OFFICIAL INJURY DATA — SOFT TISSUE INJURIES

Indicate the Location, Lesion, Detail (size, depth, fracture type, head injury clinical signs and neurological deficits), and Source of all injuries indicated by official sources (or from PAR or other unofficial sources if medical records and interviewee data are unavailable.)



SOURCE OF INJURY DATA

OFFICIAL

- (1) Autopsy records with or without hospital medical records
- (2) Hospital medical records other than emergency room (e.g., discharge summary)
- (3) Emergency room records only (including associated X-rays or other lab reports)
- (4) Private physician, walk-in or emergency clinic

UNOFFICIAL

- (5) Lay coroner report
- (6) E.M.S. personnel
- (7) Interviewee
- (8) Other source (specify): _____
- (9) Police

INJURY SOURCE

FRONT

- (01) Windshield
- (02) Mirror
- (03) Sunvisor
- (04) Steering wheel rim
- (05) Steering wheel hub/spoke
- (06) Steering wheel (combination of codes 04 and 05)
- (07) Steering column, transmission selector lever, other attachment
- (08) Add on equipment (e.g., CB, tape deck, air conditioner)
- (09) Left instrument panel and below
- (10) Center instrument panel and below
- (11) Right instrument panel and below
- (12) Glove compartment door
- (13) Knee bolster
- (14) Windshield including one or more of the following: front header, A-pillar, instrument panel, mirror, or steering assembly (driver side only)
- (15) Windshield including one or more of the following: front header, A-pillar, instrument panel, or mirror (passenger side only)
- (16) Other front object (specify): _____

LEFT SIDE

- (20) Left side interior surface, excluding hardware or armrests
- (21) Left side hardware or armrest
- (22) Left A pillar
- (23) Left B pillar
- (24) Other left pillar (specify): _____
- (25) Left side window glass or frame

- (26) Left side window glass including one or more of the following: frame, window sill, A-pillar, B-pillar, or roof side rail.
- (27) Other left side object (specify): _____
- (28) Left side window sill

RIGHT SIDE

- (30) Right side interior surface, excluding hardware or armrests
- (31) Right side hardware or armrest
- (32) Right A pillar
- (33) Right B pillar
- (34) Other right pillar (specify): _____
- (35) Right side window glass or frame
- (36) Right side window glass including one or more of the following: frame, window sill, A pillar, B pillar, or roof side rail.
- (37) Other right side object (specify): _____
- (38) Right side window sill

INTERIOR

- (40) Seat, back support
- (41) Belt restraint webbing/buckle
- (42) Belt restraint B-pillar attachment point
- (43) Other restraint system component (specify): _____
- (44) Head restraint system
- (45) Air bag
- (46) Other occupants (specify): _____
- (47) Interior loose objects
- (48) Child safety seat (specify): _____
- (49) Other interior object (specify): _____

ROOF

- (50) Front header
- (51) Rear header
- (52) Roof left side rail
- (53) Roof right side rail
- (54) Roof or convertible top

FLOOR

- (56) Floor (including toe pan)
- (57) Floor or console mounted transmission lever, including console
- (58) Parking brake handle
- (59) Foot controls including parking brake

REAR

- (60) Backlight (rear window)

- (61) Backlight storage rack, door, etc.
- (62) Other rear object (specify): _____

EXTERIOR OF OCCUPANT'S VEHICLE

- (65) Hood
- (66) Outside hardware (e.g., outside mirror, antenna)
- (67) Other exterior surface or tires (specify): _____
- (68) Unknown exterior objects

EXTERIOR OF OTHER MOTOR VEHICLE

- (70) Front bumper
- (71) Hood edge
- (72) Other front of vehicle (specify): _____
- (73) Hood
- (74) Hood ornament
- (75) Windshield, roof rail, A-pillar
- (76) Side surface
- (77) Side mirrors
- (78) Other side protrusions (specify): _____

(79) Rear surface

- (80) Undercarriage
- (81) Tires and wheels
- (82) Other exterior of other motor vehicle (specify): _____
- (83) Unknown exterior of other motor vehicle

OTHER VEHICLE OR OBJECT IN THE ENVIRONMENT

- (84) Ground
- (85) Other vehicle or object (specify) telephone pole
- (86) Unknown vehicle or object

NONCONTACT INJURY

- (90) Fire in vehicle
- (91) Flying glass
- (92) Other noncontact injury source (specify): _____
- (93) Air bag exhaust gases
- (97) Injured, unknown source

INJURY SOURCE CONFIDENCE LEVEL

- (1) Certain
- (2) Probable
- (3) Possible
- (9) Unknown

DIRECT/INDIRECT INJURY

- (1) Direct contact injury
- (2) Indirect contact injury
- (3) Noncontact injury
- (7) Injured, unknown source

OCCUPANT INJURY CLASSIFICATION

O.I.C. Body Region

- (M) Abdomen
- (Q) Ankle-foot
- (A) Arm (upper)
- (B) Back-thoracolumbar spine
- (C) Chest
- (E) Elbow
- (F) Face
- (R) Forearm
- (H) Head-skull
- (U) Injured, unknown region
- (K) Knee
- (L) Leg (lower)
- (Y) Lower limbs(s) (whole or unknown part)
- (N) Neck-cervical spine
- (P) Pelvic-hip
- (S) Shoulder
- (T) Thigh
- (X) Upper limb(s) (whole or unknown part)
- (O) Whole body
- (W) Wrist-hand

Aspect of Injury

- (A) Anterior-front
- (B) Bilateral (rib fracture only)
- (C) Central
- (I) Inferior-lower
- (U) Injured, unknown aspect
- (L) Left
- (P) Posterior-back
- (R) Right
- (S) Superior-upper
- (W) Whole region

Lesion

- (A) Abrasion
- (M) Amputation
- (V) Avulsion
- (B) Burn
- (K) Concussion
- (C) Contusion
- (N) Crush
- (G) Detachment, separation
- (D) Dislocation

(F) Fracture

- (Z) Fracture and dislocation
- (U) Injured, unknown lesion
- (L) Laceration
- (O) Other
- (P) Perforation, puncture
- (R) Rupture
- (S) Sprain
- (T) Strain
- (E) Total severance, transection

System/Organ

- (W) All systems in region
- (A) Arteries-veins
- (B) Brain
- (D) Digestive
- (E) Ears
- (O) Eye
- (H) Heart
- (U) Injured, unknown system
- (I) Integumentary
- (J) Joints
- (K) Kidneys

(L) Liver

- (M) Muscles
- (N) Nervous system
- (P) Pulmonary-lungs
- (R) Respiratory
- (S) Skeletal
- (C) Spinal cord
- (Q) Spleen
- (T) Thyroid, other endocrine gland
- (V) Vertebrae

Abbreviated Injury Scale

- (1) Minor injury
- (2) Moderate injury
- (3) Serious injury
- (4) Severe injury
- (5) Critical injury
- (6) Maximum (untreatable)
- (7) Injured, unknown severity

OFFICIAL INJURY DATA — SKELETAL INJURIES

Restrained?

No

Yes

Blood Alcohol Level (mg/dl)

BAL = _____

Glasgow Coma Scale Score

GCSS = _____

Units of Blood Given

Units = _____

Arterial Blood Gases

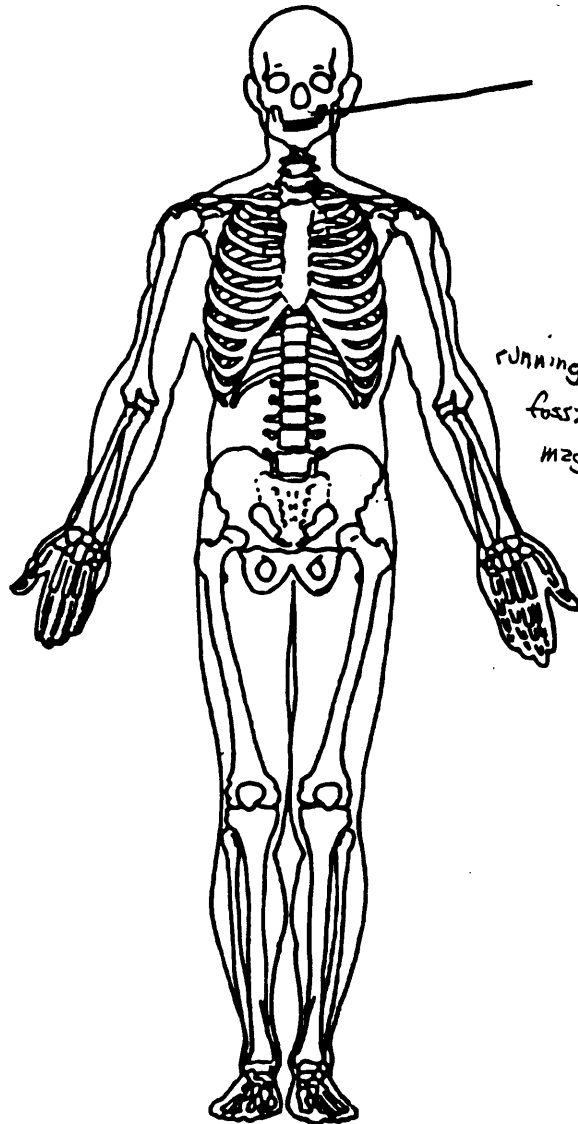
pH = _____

PO₂ = _____

PCO₂ = _____

HCO₃ = _____

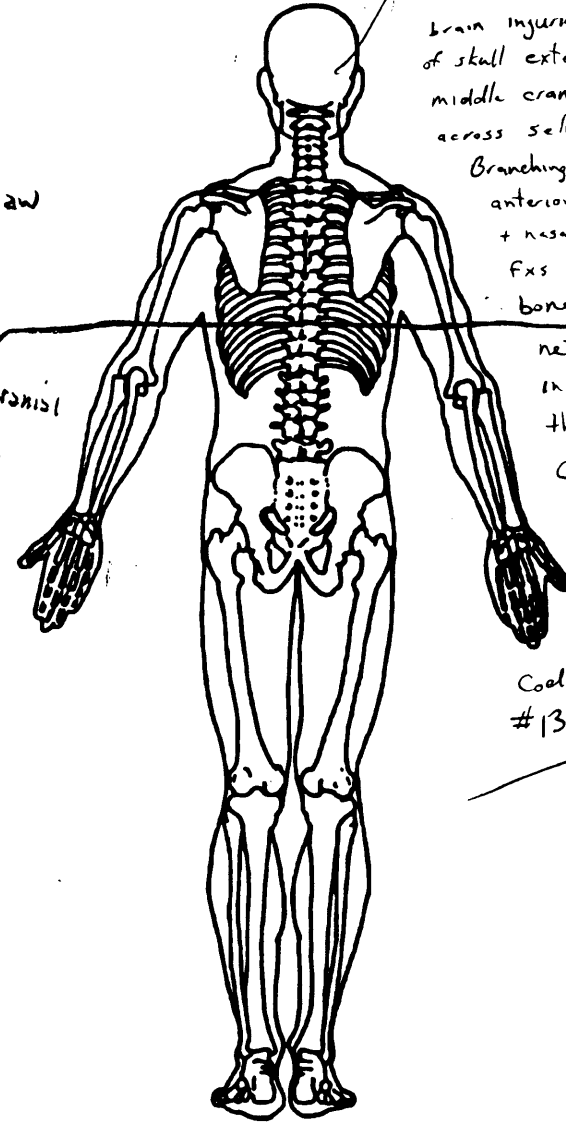
Indicate the Location, Lesion, Detail (size, depth, fracture type, head injury clinical signs and neurological deficits), and Source of all injuries indicated by official sources (or from PAR or other unofficial sources if medical records and interviewee data are unavailable.)



maxilla fx
bilateral
unk

teeth of upper jaw
were misaligned

running through posterior cranial
fossa into the foramen
magnum



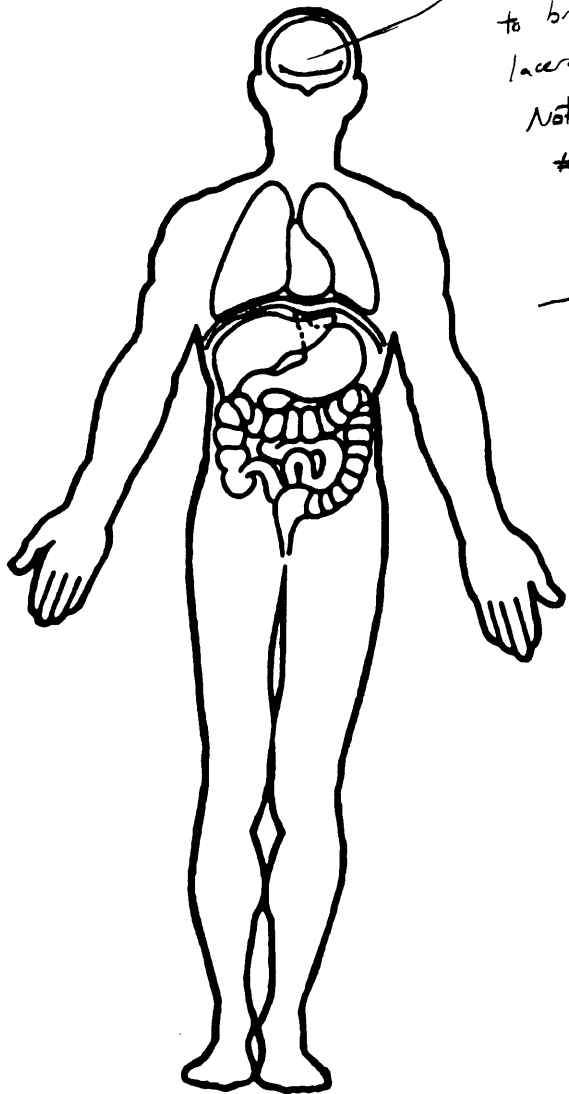
Numerous comminuted skull fx's + multiple brain injuries. Hinge fx of skull extending thru middle cranial fossae + across sella turcica. Branching fx involving anterior cranial fossae + nasal bone. Linear fx's of the occipital bone. Branching network of fx's in the vault of the skull. Cerebrum was totally avulsed.

* Note *
Applied Cooling Convention #13

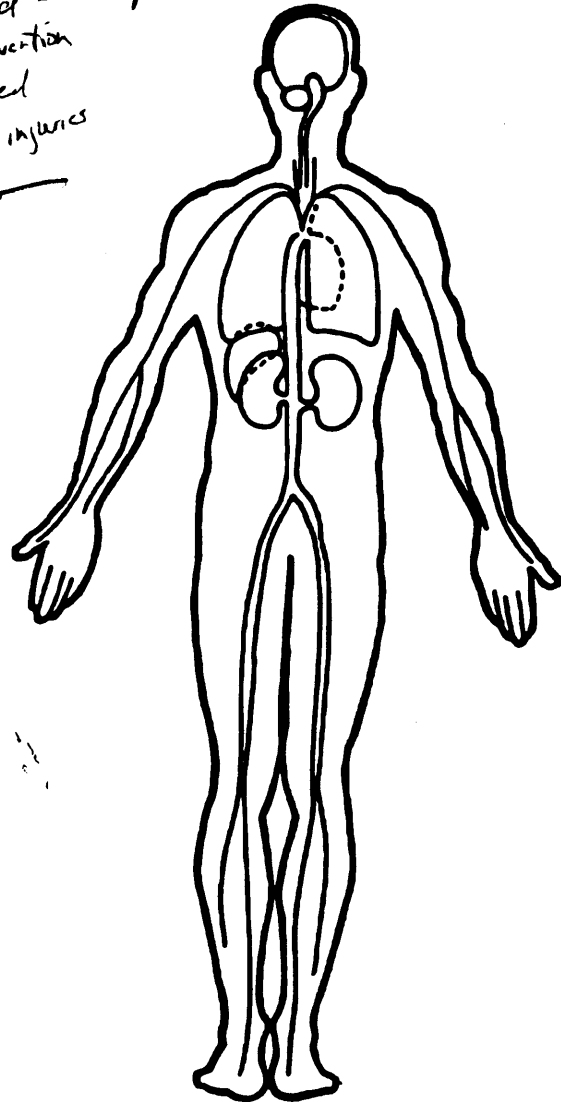
unk

OFFICIAL INJURY DATA - INTERNAL INJURIES

Indicate the Location, Lesion, Detail (size, depth, fracture type, head injury clinical signs and neurological deficits), and Source of all injuries indicated by official sources (or from PAR or other unofficial sources if medical records and interviewee data are unavailable.)



numerous laceration
to brain. Corpus callosum
lacerated. Cerebrum avulsed - totally from brain stem
Note: Applied Coding Convention
#13 which I interpreted
to subsume all brain injuries
as well as skull frs
unk



OCCUPANT RELATED

16. Driver Presence in Vehicle 1
 (0) Driver not present
 (1) Driver present
 (9) Unknown
17. Number of Occupants This Vehicle 0 2
 (00-96) Code actual number of occupants
 for this vehicle
 (97) 97 or more
 (99) Unknown
PER INTERVIEW
18. Number of Occupant Forms Submitted 0 2

24. Rollover 0
 (0) No rollover (no overturning)
- Rollover (primarily about the longitudinal axis)*
 (1) Rollover, 1 quarter turn only
 (2) Rollover, 2 quarter turns
 (3) Rollover, 3 quarter turns
 (4) Rollover, 4 or more quarter turns (specify):

- (5) Rollover--end-over-end (i.e., primarily about the lateral axis)
 (9) Rollover (overturn), details unknown

VEHICLE WEIGHT ITEMS

19. Vehicle Curb Weight 0 2,600
2631 Code weight to nearest
 100 pounds.
 (010) Less than 1050 pounds
 (135) 13,500 pounds or more
 (999) Unknown
- Source: _____
20. Vehicle Cargo Weight 0, 0 00
 _____ Code weight to nearest
 100 pounds.
 (00) Less than 50 pounds
 (97) 9,650 pounds or more
 (99) Unknown

OVERRIDE/UNDERRIDE (THIS VEHICLE)

25. Front Override/Underride (this Vehicle) 0
26. Rear Override/Underride (this Vehicle) 0
- (0) No override/underride, or not an end-to-end impact
- Override (see specific CDC)*
 (1) 1st CDC
 (2) 2nd CDC
 (3) Other not automated CDC (specify):

- Underride (see specific CDC)*
 (4) 1st CDC
 (5) 2nd CDC
 (6) Other not automated CDC (specify):

- (7) Medium/heavy truck or bus override
 (9) Unknown

RECONSTRUCTION DATA

21. Towed Trailing Unit 0
 (0) No towed unit
 (1) Yes--towed trailing unit
 (9) Unknown
22. Documentation of Trajectory Data for This Vehicle 0
 (0) No
 (1) Yes
23. Post Collision Condition of Tree or Pole (For Highest Delta V) 0
 (0) Not collision (for highest delta V) with tree or pole
 (1) Not damaged
 (2) Cracked/sheared
 (3) Tilted <45 degrees
 (4) Tilted ≥45 degrees
 (5) Uprooted tree
 (6) Separated pole from base
 (7) Pole replaced
 (8) Other (specify):

 (9) Unknown

HEADING ANGLE AT IMPACT FOR HIGHEST DELTA V

Values: (000)-(359) Code actual value
 (997) Noncollision
 (998) Impact with object
 (999) Unknown

27. Heading Angle For This Vehicle 1 7 9
28. Heading Angle For Other Vehicle 1 9 5

Category	Configuration	ACCIDENT TYPES (Includes Intent)					
I. Single Driver	A. Right Roadside Departure	01 DRIVE OFF ROAD	02 CONTROL/ TRACTION LOSS	03 AVOID COLLISION WITH VEH., PED., ANIM.	04 SPECIFICS OTHER	05 SPECIFICS UNKNOWN	
	B. Left Roadside Departure	06 DRIVE OFF ROAD	07 CONTROL/ TRACTION LOSS	08 AVOID COLLISION WITH VEH., PED., ANIM.	09 SPECIFICS OTHER	10 SPECIFICS UNKNOWN	
	C. Forward Impact	11 PARKED VEH.	12 STA. OBJECT	13 PEDESTRIAN/ ANIMAL	14 END DEPARTURE	15 SPECIFICS OTHER	16 SPECIFICS UNKNOWN
II. Same Trafficway Same Direction	D. Rear-End	20 21 22 23 STOPPED	24 25 26 27 SLOWER	28 29 30 31 DECEL.	(EACH • 32) SPECIFICS OTHER	(EACH • 33) SPECIFICS UNKNOWN	
	E. Forward Impact	34 35 CONTROL/ TRACTION LOSS	36 37 CONTROL/ TRACTION LOSS	38 39 AVOID COLLISION WITH VEH.	40 41 AVOID COLLISION WITH OBJECT	(EACH • 42) SPECIFICS OTHER	(EACH • 43) SPECIFICS UNKNOWN
	F. Sideswipe Angle	44 45	46 47	(EACH • 48) SPECIFICS OTHER	(EACH • 49) SPECIFICS UNKNOWN		
III. Same Trafficway Opposite Direction	G. Head-On	50 51 LATERAL MOVE	(EACH • 52) SPECIFICS OTHER	(EACH • 53) SPECIFICS UNKNOWN			
	H. Forward Impact	54 55 CONTROL/ TRACTION LOSS	56 57 CONTROL/ TRACTION LOSS	58 59 AVOID COLLISION WITH VEH.	60 61 AVOID COLLISION WITH OBJECT	(EACH • 62) SPECIFICS OTHER	(EACH • 63) SPECIFICS UNKNOWN
	I. Sideswipe/Angle	64 65 LATERAL MOVE	(EACH • 66) SPECIFICS OTHER	(EACH • 67) SPECIFICS UNKNOWN			
IV. Change Trafficway Vehicle Turning	J. Turn Across Path	68 69 INITIAL OPPOSITE DIRECTIONS	70 71 INITIAL SAME DIRECTIONS	72 73	(EACH • 74) SPECIFICS OTHER	(EACH • 75) SPECIFICS UNKNOWN	
	K. Turn Into Path	76 77 78 TURN INTO SAME DIRECTION	79 80 81 TURN INTO OPPOSITE DIRECTIONS	82 83	(EACH • 84) SPECIFICS OTHER	(EACH • 85) SPECIFICS UNKNOWN	
V. Intersecting Paths (Vehicle Damage)	L. Straight Paths	86 87	88 89	(EACH • 90) SPECIFICS OTHER	(EACH • 91) SPECIFICS UNKNOWN		
VI. Miscellaneous	M. Backing Etc.	92 BACKING VEH.	93 OTHER VEH. OR OBJECT	98 Other Accident Type 99 Unknown Accident Type 00 No Impact			

OTHER DATA56. Driver's Zip Code [REDACTED]

- (00000) Driver not present
 (00001) Driver not a resident of U.S. or territories
 Code actual 5-digit zip code
 (99999) Unknown

57. Driver's Race/Ethnic Origin 2

- (0) Driver not present
 (1) White (non-Hispanic)
 (2) Black (non-Hispanic)
 (3) White (Hispanic)
 (4) Black (Hispanic)
 (5) American Indian, Eskimo or Aleut
 (6) Asian or Pacific Islander
 (8) Other (specify):
 (9) Unknown

58. Vehicle Special Use (This Trip) 0

- (0) No special use
 (1) Taxi
 (2) Vehicle used as school bus
 (3) Vehicle used as other bus
 (4) Military
 (5) Police
 (6) Ambulance
 (7) Hearse
 (8) Fire truck or car
 (9) Unknown

ROLLOVER DATA

If GV07 (Body Type) \neq 1-49, leave GV59-GV63 blank.
 If GV24 (Rollover) = 0, then GV59-GV63 must equal 0.
 If GV24 = 9, then GV59-GV63 must equal 9.

59. Rollover Initiation Type 0

- (0) No rollover
 (1) Trip-over
 (2) Flip-over
 (3) Turn-over
 (4) Climb-over
 (5) Fall-over
 (6) Bounce-over
 (7) Collision with another vehicle
 (8) Other rollover initiation type specify):
 (9) Unknown rollover initiation type

60. Location of Rollover Initiation 0

- (0) No rollover
 (1) On roadway
 (2) On shoulder—paved
 (3) On shoulder—unpaved
 (4) On roadside or divided trafficway median
 (9) Unknown

61. Rollover Initiation Object Contacted 0 062. Location on Vehicle Where Initial Principal Tripping Force Is Applied 0

- (0) No rollover
 (1) Wheels/tires
 (2) Side plane
 (3) End plane
 (4) Undercarriage
 (5) Other location on vehicle (specify):
 (8) Non-contact rollover forces (specify):
 (9) Unknown

63. Direction of Initial Roll 0

- (0) No rollover
 (1) Roll right - primarily about the longitudinal axis
 (2) Roll left - primarily about the longitudinal axis
 (5) End-over-end (i.e., primarily about the lateral axis)
 (9) Unknown roll direction

PRECRASH DATA64. Pre-Event Movement (Prior to Recognition of Critical Event) 0 1

- (01) Going straight
 (02) Slowing or stopping in traffic lane
 (03) Starting in traffic lane
 (04) Stopped in traffic lane
 (05) Passing or overtaking another vehicle
 (06) Disabled or parked in travel lane
 (07) Leaving a parking position
 (08) Entering a parking position
 (09) Turning right
 (10) Turning left
 (11) Making a U-turn
 (12) Backing up (other than for parking position)
 (13) Negotiating a curve
 (14) Changing lanes
 (15) Merging
 (16) Successful avoidance maneuver to a previous critical event
 (97) Other (specify):
 (98) No driver present
 (99) Unknown

CODES FOR ROLLOVER INITIATION OBJECT CONTACTED

- (00) No rollover
- (01-30) — Vehicle Number

Noncollision

- (31) Turn-over — fall-over
- (33) Jackknife

Collision With Fixed Object

- (41) Tree (\leq 4 inches in diameter)
- (42) Tree ($>$ 4 inches in diameter)
- (43) Shrubbery or bush
- (44) Embankment

- (45) Breakaway pole or post (any diameter)

Nonbreakaway Pole or Post

- (50) Pole or post (\leq 4 inches in diameter)
- (51) Pole or post ($>$ 4 inches but \leq 12 inches in diameter)
- (52) Pole or post ($>$ 12 inches in diameter)
- (53) Pole or post (diameter unknown)

- (54) Concrete traffic barrier
- (55) Impact attenuator
- (56) Other traffic barrier (includes guardrail)
(specify): _____

- (57) Fence
- (58) Wall
- (59) Building
- (60) Ditch or culvert
- (61) Ground
- (62) Fire hydrant
- (63) Curb
- (64) Bridge
- (68) Other fixed object (specify):

-
- (69) Unknown fixed object

Collision with Nonfixed Object

- (71) Motor vehicle not in-transport
- (76) Animal
- (77) Train
- (78) Trailer, disconnected in transport
- (88) Other nonfixed object (specify):

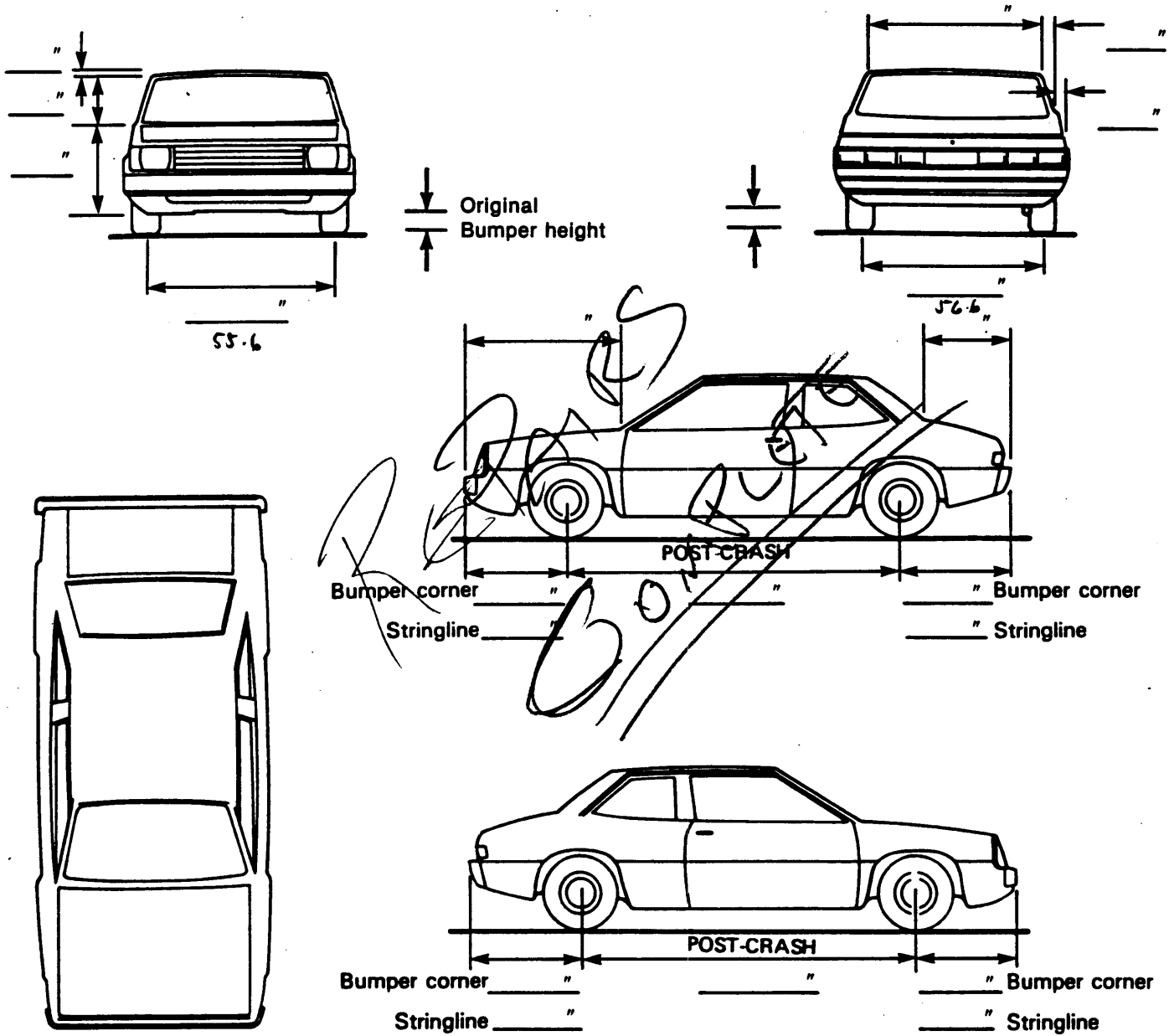
-
- (89) Unknown nonfixed object

- (98) Other event (specify):

-
- (99) Unknown event or object

VEHICLE DAMAGE SKETCH

<p>TIRE—WHEEL DAMAGE</p> <p>a. Rotation physically restricted</p> <p>RF _____ LF _____ RR _____ LR _____</p> <p>b. Tire deflated</p> <p>RF _____ LF _____ RR _____ LR _____</p> <p>(1) Yes (2) No (8) NA (9) Unk.</p>	<p>ORIGINAL SPECIFICATIONS</p> <p>Wheelbase _____ 103.4</p> <p>Overall Length _____ 187.2</p> <p>Maximum Width _____ 68.2</p> <p>Curb Weight _____ 2631</p> <p>Average Track _____</p> <p>Front Overhang _____</p> <p>Rear Overhang _____</p> <p>Engine Size: cyl./ displ. _____ I4</p> <p>Undeformed End Width _____</p>		<p>WHEEL STEER ANGLES (For locked front wheels or displaced rear axles only)</p> <p>RF ± _____ °</p> <p>LF ± _____ °</p> <p>RR ± _____ °</p> <p>LR ± _____ °</p> <p>Within ±5 degrees</p>
	<p>TYPE OF TRANSMISSION</p> <p><input type="checkbox"/> Manual <input checked="" type="checkbox"/> Automatic</p>		<p>DRIVE WHEELS</p> <p><input checked="" type="checkbox"/> FWD <input type="checkbox"/> RWD <input type="checkbox"/> 4WD</p> <p>Approximate Cargo Weight _____</p>



NOTES: Sketch new perimeter and cross hatch direct damage and single hatch induced damage on all views. Annotate observations which might be useful in reconstructing the accident (e.g., grass in tire bead, direction of striations, scuff on sidewall, etc.). If pulling trailer, sketch type of trailer and damage received on the back of this page. Annotate any damage caused by extrication such as component removal by torching, prying, or hydraulic shears.

CDC WORKSHEET

CODES FOR OBJECT CONTACTED

- (01-30) — Vehicle Number
- Noncollision**
 - (31) Overturn — rollover
 - (32) Fire or explosion
 - (33) Jackknife
 - (34) Other intraunit damage (specify): _____
 - (35) Noncollision injury
 - (38) Other noncollision (specify): _____
 - (39) Noncollision — details unknown
- Collision With Fixed Object**
 - (41) Tree (≤ 4 inches in diameter)
 - (42) Tree (> 4 inches in diameter)
 - (43) Shrubbery or bush
 - (44) Embankment
 - (45) Breakaway pole or post (any diameter)
- Nonbreakaway Pole or Post**
 - (50) Pole or post (≤ 4 inches in diameter)
 - (51) Pole or post (> 4 inches but ≤ 12 inches in diameter)
 - (52) Pole or post (> 12 inches in diameter)
 - (53) Pole or post (diameter unknown)
 - (54) Concrete traffic barrier
 - (55) Impact attenuator
 - (56) Other traffic barrier (includes guardrail) (specify): _____

- (57) Fence
- (58) Wall
- (59) Building
- (60) Ditch or culvert
- (61) Ground
- (62) Fire hydrant
- (63) Curb
- (64) Bridge
- (68) Other fixed object (specify): _____
- (69) Unknown fixed object
- Collision with Nonfixed Object**
 - (71) Motor vehicle not in-transport
 - (72) Pedestrian
 - (73) Cyclist or cycle
 - (74) Other nonmotorist or conveyance
 - (75) Vehicle occupant
 - (76) Animal
 - (77) Train
 - (78) Trailer, disconnected in transport
 - (88) Other nonfixed object (specify): _____
 - (89) Unknown nonfixed object
 - (98) Other event (specify): _____
 - (99) Unknown event or object

DEFORMATION CLASSIFICATION BY EVENT NUMBER

Accident Event Sequence Number	Object Contacted	(1) (2) Direction of Force (degrees)	Incremental Value of Shift	(3) Deformation Location	(4) Specific Longitudinal or Lateral Location	(5) Specific Vertical or Lateral Location	(6) Type of Damage Distribution	(7) Deformation Extent
1	1	999	00	L	D	E	S	99
---	---	---	---	---	---	---	---	---
---	---	---	---	---	---	---	---	---
---	---	---	---	---	---	---	---	---
---	---	---	---	---	---	---	---	---
---	---	---	---	---	---	---	---	---
---	---	---	---	---	---	---	---	---
---	---	---	---	---	---	---	---	---
---	---	---	---	---	---	---	---	---
---	---	---	---	---	---	---	---	---
---	---	---	---	---	---	---	---	---

PER REPAIR FACILITY



GLAZING

1. Primary Sampling Unit Number 09
2. Case Number - Stratum 506A
3. Vehicle Number 02

INTEGRITY

4. Passenger Compartment Integrity 06
(00) No integrity loss

Yes, Integrity Was Lost Through

- (01) Windshield
- (02) Door (side)
- (03) Door/hatch (back door)
- (04) Roof
- (05) Roof glass
- (06) Side window
- (07) Rear window (backlight)
- (08) Roof and roof glass
- (09) Windshield and door (side)
- (10) Windshield and roof
- (11) Side and rear window (side window and backlight)
- (12) Windshield and side window
- (13) Door and side window
- (98) Other combination of above (specify):

- (99) Unknown

Door, Tailgate or Hatch Opening

5. LF 1 6. RF 1 7. LR 0 8. RR 0 9. TG/H 0

- (0) No door/gate/hatch
- (1) Door/gate/hatch remained closed and operational
- (2) Door/gate/hatch came open during collision
- (3) Door/gate/hatch jammed shut
- (8) Other (specify):

- (9) Unknown

Damage/Failure Associated with Door, Tailgate or Hatch Opening in Collision. If IV05-IV09 ≠ 2, Then code 0

10. LF 0 11. RF 0 12. LR 0 13. RR 0 14. TG/H 0

- (0) No door/gate/hatch or door not opened
- Door, Tailgate or Hatch Came Open During Collision
- (1) Door operational (no damage)
- (2) Latch/striker failure due to damage
- (3) Hinge failure due to damage
- (4) Door structure failure due to damage
- (5) Door support (i.e., pillar, sill, roof side rail, etc.) failure due to damage
- (6) Latch/striker and hinge failure due to damage
- (8) Other failure (specify):

- (9) Unknown

Glazing Damage from Impact Forces

15. WS 0 16. LF 0 17. RF 0 18. LR 0 19. RR 0
20. BL 0 21. Roof 0 22. Other 0

- (0) No glazing damage from impact forces
- (2) Glazing in place and cracked from impact forces
- (3) Glazing in place and holed from impact forces
- (4) Glazing out-of-place (cracked or not) and not holed from impact forces
- (5) Glazing out-of-place and holed from impact forces
- (6) Glazing disintegrated from impact forces
- (7) Glazing removed prior to accident
- (8) No glazing
- (9) Unknown if damaged

Glazing Damage from Occupant Contact

23. WS 0 24. LF 0 25. RF 0 26. LR 0 27. RR 0
28. BL 0 29. Roof 0 30. Other 0

- (0) No occupant contact to glazing or no glazing
- (1) Glazing contacted by occupant but no glazing damage
- (2) Glazing in place and cracked by occupant contact
- (3) Glazing in place and holed by occupant contact
- (4) Glazing out-of-place (cracked or not) by occupant contact and not holed by occupant contact
- (5) Glazing out-of-place by occupant contact and holed by occupant contact
- (6) Glazing disintegrated by occupant contact
- (9) Unknown if contacted by occupant

If No Glazing Damage *And* No Occupant Contact or No Glazing, Then Code IV31 Through IV46 As 0

Type of Window/Windshield Glazing

31. WS 0 32. LF 0 33. RF 0 34. LR 0 35. RR 0
36. BL 0 37. Roof 0 38. Other 0

- (0) No glazing contact and no damage, or no glazing
- (1) AS-1 - Laminated
- (2) AS-2 - Tempered
- (3) AS-3 - Tempered-tinted
- (4) AS-14 - Glass/Plastic
- (8) Other (specify):

- (9) Unknown

Window Precrash Glazing Status

39. WS 0 40. LF 0 41. RF 0 42. LR 0 43. RR 0
44. BL 0 45. Roof 0 46. Other 0

- (0) No glazing contact and no damage, or no glazing
- (1) Fixed
- (2) Closed
- (3) Partially opened
- (4) Fully opened
- (9) Unknown

OCCUPANT AREA INTRUSION

Note: If no intrusions, leave variables IV47-IV86 blank.

	Location of Intrusion	Intruding Component	Magnitude of Intrusion	Dominant Crush Direction
1st	47. _____	48. _____	49. _____	50. _____
2nd	51. _____	52. _____	53. _____	54. _____
3rd	55. _____	56. _____	57. _____	58. _____
4th	59. _____	60. _____	61. _____	62. _____
5th	63. _____	64. _____	65. _____	66. _____
6th	67. _____	68. _____	69. _____	70. _____
7th	71. _____	72. _____	73. _____	74. _____
8th	75. _____	76. _____	77. _____	78. _____
9th	79. _____	80. _____	81. _____	82. _____
10th	83. _____	84. _____	85. _____	86. _____

INTRUDING COMPONENT

Interior Components

- (01) Steering assembly
- (02) Instrument panel left
- (03) Instrument panel center
- (04) Instrument panel right
- (05) Toe pan
- (06) A-pillar
- (07) B-pillar
- (08) C-pillar
- (09) D-pillar
- (10) Door panel (side)
- (12) Roof (or convertible top)
- (13) Roof side rail
- (14) Windshield
- (15) Windshield header
- (16) Window frame
- (17) Floor pan (includes sill)
- (18) Backlight header
- (19) Front seat back
- (20) Second seat back
- (21) Third seat back
- (22) Fourth seat back
- (23) Fifth seat back
- (24) Seat cushion
- (25) Back door/panel (e.g., tailgate)
- (26) Other interior component (specify): _____
- (27) Side panel - forward of the A-pillar
- (28) Side panel - rear of the A-pillar

Exterior Components

- (30) Hood
- (31) Outside surface of this vehicle (specify): _____
- (32) Other exterior object in the environment (specify): _____
- (33) Unknown exterior object
- (97) Catastrophic
- (98) Intrusion of unlisted component(s) (specify): _____
- (99) Unknown

LOCATION OF INTRUSION

Front Seat

- (11) Left
- (12) Middle
- (13) Right

Second Seat

- (21) Left
- (22) Middle
- (23) Right

Third Seat

- (31) Left
- (32) Middle
- (33) Right

Fourth Seat

- (41) Left
- (42) Middle
- (43) Right

- (97) Catastrophic
- (98) Other enclosed area (specify) _____

- (99) Unknown

MAGNITUDE OF INTRUSION

- (1) ≥ 1 inch but < 3 inches
- (2) ≥ 3 inches but < 6 inches
- (3) ≥ 6 inches but < 12 inches
- (4) ≥ 12 inches but < 18 inches
- (5) ≥ 18 inches but < 24 inches
- (6) ≥ 24 inches
- (7) Catastrophic
- (9) Unknown

DOMINANT CRUSH DIRECTION

- (1) Vertical
- (2) Longitudinal
- (3) Lateral
- (7) Catastrophic
- (9) Unknown

STEERING RIM/SPOKE DEFORMATION

COMPARISON VALUE	—	DAMAGE VALUE	=	DEFORMATION
	—		=	
	—		=	
	—		=	
	—		=	

--	--	--	--	--

STEERING COLUMN

87. Steering Column Type 1
 (1) Fixed column
 (2) Tilt column
 (3) Telescoping column
 (4) Tilt and telescoping column
 (8) Other column type (specify):
 (9) Unknown

88. Blank X X
 (This variable is left blank so that numbering consistency can be maintained with the 1988-91 CDS.)

89. Blank X X X
 (This variable is left blank so that numbering consistency can be maintained with the 1988-91 CDS.)

90. Blank X X X
 (This variable is left blank so that numbering consistency can be maintained with the 1988-91 CDS.)

91. Blank X X X
 (This variable is left blank so that numbering consistency can be maintained with the 1988-91 CDS.)

92. Steering Rim/Spoke Deformation 0
 Code actual measured deformation to the nearest inch.
 (0) No steering rim deformation
 (1-5) Actual measured value
 (6) 6 inches or more
 (8) Observed deformation cannot be measured
 (9) Unknown

93. Location of Steering Rim/Spoke Deformation 0 0
 (00) No steering rim deformation

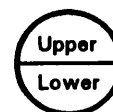
Quarter Sections

- (01) Section A
- (02) Section B
- (03) Section C
- (04) Section D



Half Sections

- (05) Upper half of rim/spoke
- (06) Lower half of rim/spoke
- (07) Left half of rim/spoke
- (08) Right half of rim/spoke



- (09) Complete steering wheel collapse
- (10) Undetermined location
- (99) Unknown

INSTRUMENT PANEL

94. Odometer Reading 0 4 3,000
42504 miles—Code mileage to the nearest 1,000 miles
 (000) No odometer
 (001) Less than 1,500 miles
 (300) 299,500 miles or more
 (999) Unknown

Source: [REDACTED]

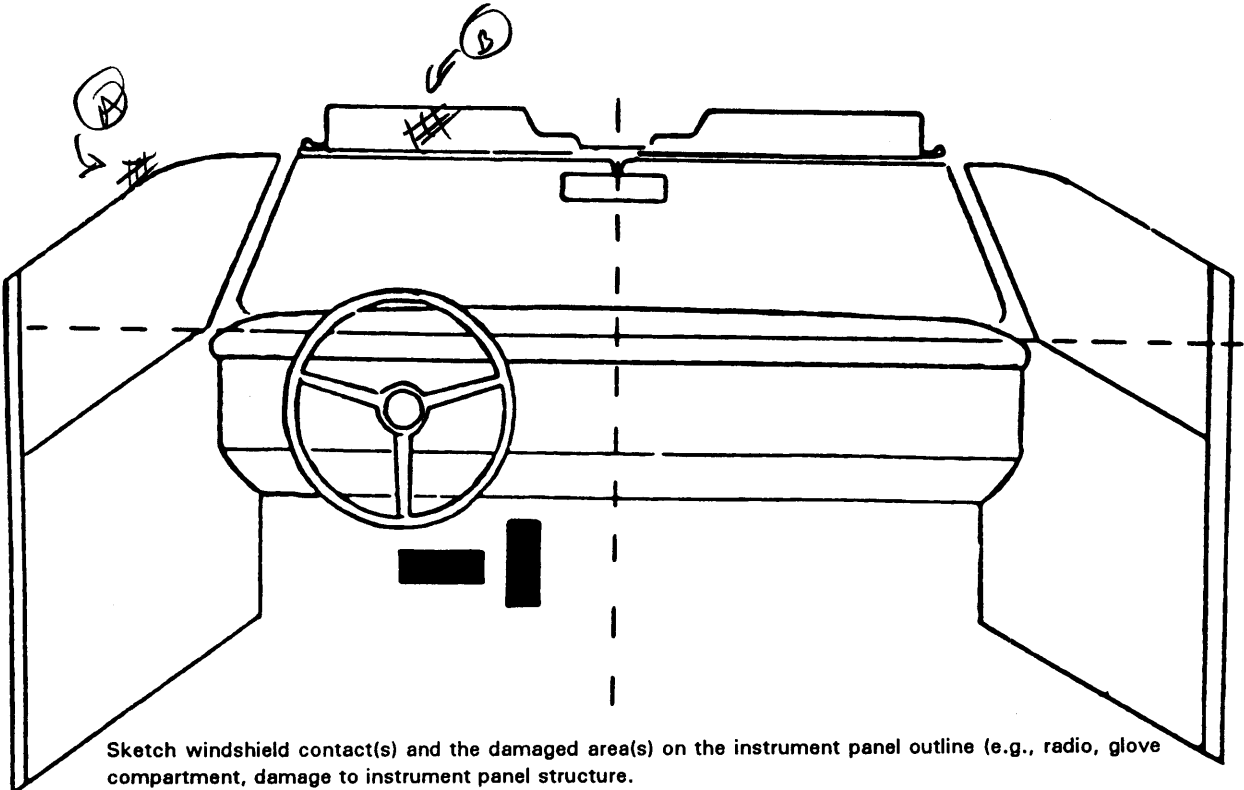
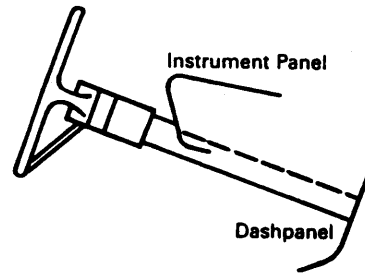
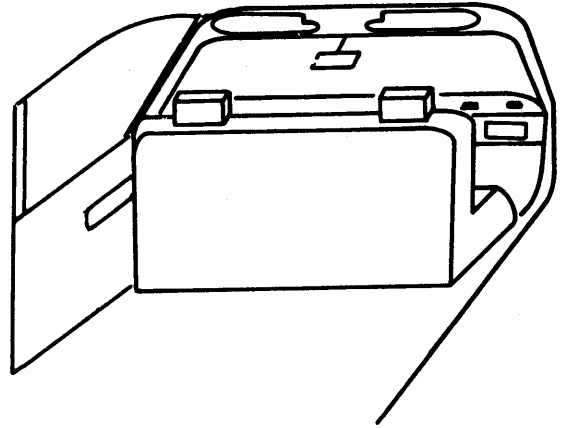
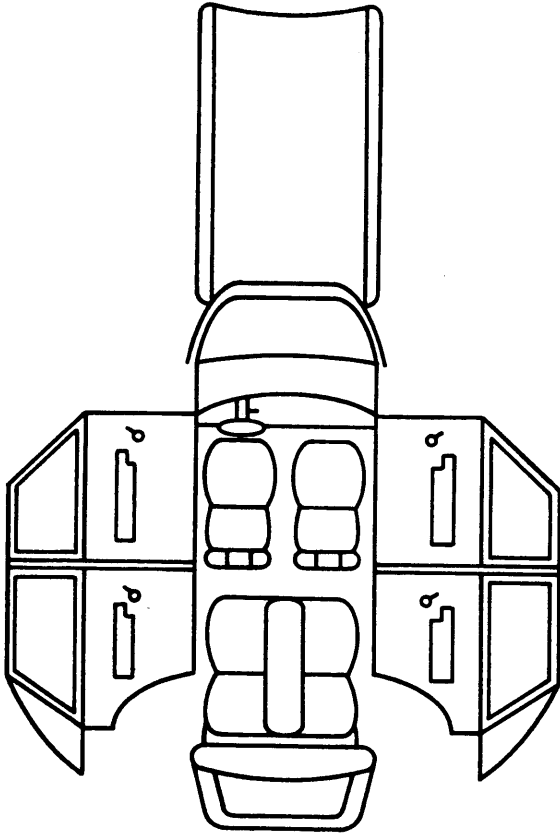
95. Instrument Panel Damage from Occupant Contact? 0
 (0) No
 (1) Yes
 (9) Unknown

96. Knee Bolsters Deformed from Occupant Contact? 8
 (0) No
 (1) Yes
 (8) Not present
 (9) Unknown

97. Did Glove Compartment Door Open During Collision(s)? 0
 (0) No
 (1) Yes
 (8) Not present
 (9) Unknown

VEHICLE INTERIOR SKETCHES

Note area of ejection/entrapment



Sketch windshield contact(s) and the damaged area(s) on the instrument panel outline (e.g., radio, glove compartment, damage to instrument panel structure).

Cross hatch contact points, draw spider webs or use other annotation as may be appropriate.

Annotate the contacted area with a letter (begin with A) and list on the Points of Occupant Contact page.

POINTS OF OCCUPANT CONTACT

Contact	Interior Component Contacted	Occupant No. If Known	Body Region If Known	Supporting Physical Evidence	Confidence Level of Contact Point
A	52	1	Head	SMUDGE	2
B	03	1	"	Dirt Transfers	3
C					
D					
E					
F					
G					
H					
I					
J					
K					
L					
M					
N					

CODES FOR INTERIOR COMPONENTS

FRONT

- (01) Windshield
- (02) Mirror
- (03) Sunvisor
- (04) Steering wheel rim
- (05) Steering wheel hub/spoke
- (06) Steering wheel (combination of codes 04 and 05)
- (07) Steering column, transmission selector lever, other attachment
- (08) Add on equipment (e.g., CB, tape deck, air conditioner)
- (09) Left instrument panel and below
- (10) Center instrument panel and below
- (11) Right instrument panel and below
- (12) Glove compartment door
- (13) Knee bolster
- (14) Windshield including one or more of the following: front header, A-pillar, instrument panel, mirror, or steering assembly (driver side only)
- (15) Windshield including one or more of the following: front header, A-pillar, instrument panel, or mirror (passenger side only)
- (16) Other front object (specify): _____

LEFT SIDE

- (20) Left side interior surface, excluding hardware or armrests
- (21) Left side hardware or armrest
- (22) Left A pillar
- (23) Left B pillar
- (24) Other left pillar (specify): _____
- (25) _____ Left side window glass or frame

- (26) Left side window glass including one or more of the following: frame, window sill, A pillar, B pillar, or roof side rail.
- (27) Other left side object (specify): _____

RIGHT SIDE

- (28) Left side window sill
- (30) Right side interior surface, excluding hardware or armrests
- (31) Right side hardware or armrest
- (32) Right A pillar
- (33) Right B pillar
- (34) Other right pillar (specify): _____
- (35) Right side window glass or frame
- (36) Right side window glass including one or more of the following: frame, window sill, A pillar, B pillar, or roof side rail.
- (37) Other right side object (specify): _____
- (38) Right side window sill

INTERIOR

- (40) Seat, back support
- (41) Belt restraint webbing/buckle
- (42) Belt restraint B-pillar attachment point
- (43) Other restraint system component (specify): _____
- (44) Head restraint system
- (45) Air bag
- (46) Other occupants (specify): _____
- (47) Interior loose objects

- (48) Child safety seat (specify): _____

- (49) Other interior object (specify): _____

ROOF

- (50) Front header
- (51) Rear header
- (52) Roof left side rail
- (53) Roof right side rail
- (54) Roof or convertible top

FLOOR

- (56) Floor (including toe pan)
- (57) Floor or console mounted transmission lever, including console
- (58) Parking brake handle
- (59) Foot controls including parking brake

REAR

- (60) Backlight (rear window)
- (61) Backlight storage rack, door, etc.
- (62) Other rear object (specify): _____

CONFIDENCE LEVEL OF CONTACT POINT

- (1) Certain
- (2) Probable
- (3) Possible
- (9) Unknown

AUTOMATIC RESTRAINTS

NOTES: Encode the data for each applicable front seat position. The attribute for the variables may be found below. Restraint systems should be assessed during the vehicle inspection then coded on the Occupant Assessment Form.

AIR BAGS

		Left	Right
F I R S T	Availability/Function		
	Deployment		
	Failure		
Air Bag System Availability/Function (0) Not equipped/not available (1) Air bag <i>Non-functional</i> (2) Air bag disconnected (specify): _____ (3) Air bag not reinstalled (9) Unknown		Air Bag System Deployment (0) Not equipped/not available (1) Air bag deployed during accident (as a result of impact) (2) Air bag deployed inadvertently just prior to accident (3) Air bag deployed, accident sequence undetermined (4) Nondeployed (5) Unknown if deployed (6) Air bag deployed as a result of a noncollision event during accident sequence (e.g., fire, explosion, electrical) (9) Unknown	
		Did Air Bag System Fail? (0) Not equipped/not available (1) No (2) Yes (specify): _____ (9) Unknown	

AUTOMATIC BELTS

		Left	Right
F I R S T	Availability/Function	2	2
	Use	1	1
	Type	1	1
	Proper Use	1	1
	Failure Modes	1	1

Automatic (Passive) Belt System Availability/Function (0) Not equipped/not available (1) 2 point automatic belts (2) 3 point automatic belts (3) Automatic belts - type unknown <i>Non-functional</i> (4) Automatic belts destroyed or rendered inoperative (9) Unknown Automatic (Passive) Belt System Use (0) Not equipped/not available/destroyed or rendered inoperative (1) Automatic belt in use (2) Automatic belt not in use (manually disconnected, motorized track inoperative) (3) Automatic belt use unknown (9) Unknown Automatic (Passive) Belt System Type (0) Not equipped/not available (1) Non-motorized system (2) Motorized system (9) Unknown	Proper Use of Automatic (Passive) Belt System (0) Not equipped/not available/not used (1) Automatic belt used properly (2) Automatic belt used properly with child safety seat <i>Automatic Belt Used Improperly</i> (3) Automatic shoulder belt worn under arm (4) Automatic shoulder belt worn behind back (5) Automatic belt worn around more than one person (6) Lap portion of automatic belt worn on abdomen (7) Automatic lap and shoulder belt or automatic shoulder belt used improperly with child safety seat (specify): _____ (8) Other improper use of automatic belt system (specify): _____ (9) Unknown	Automatic (Passive) Belt Failure Modes During Accident (0) Not equipped/not available/not in use (1) No automatic belt failure(s) (2) Torn webbing (stretched webbing not included) (3) Broken buckle or latchplate (4) Upper anchorage separated (5) Other anchorage separated (specify): _____ (6) Broken retractor (7) Combination of above (specify): _____ (8) Other automatic belt failure (specify): _____ (9) Unknown
---	--	--

MANUAL RESTRAINTS

NOTES: Encode the applicable data for each seat position in the vehicle. The attribute for the variable may be found below. Restraint systems should be assessed during the vehicle inspection then coded on the Occupant Assessment Form.

If a Child safety seat is present, encode the data on the back of this page.

If the vehicle has automatic restraints available, encode the appropriate data on the back of the previous page.

		Left	Center	Right
FIRST	Availability	0	 	0
	Use	00	 	00
	Failure Modes	0	 	0
SECOND	Availability	4	3	4
	Use	00	00	00
	Failure Modes	0	0	0
THIRD	Availability	 	 	
	Use	 	 	
	Failure Modes	 	 	
OTHER	Availability	 	 	
	Use	 	 	
	Failure Modes	 	 	

Manual (Active) Belt System Availability

- (0) None available
- (1) Belt removed/destroyed
- (2) Shoulder belt
- (3) Lap belt
- (4) Lap and shoulder belt
- (5) Belt available - type unknown

Integral Belt Partially Destroyed

- (6) Shoulder belt (lap belt destroyed/removed)
- (7) Lap belt (shoulder belt destroyed/removed)

(8) Other belt (specify): _____

(9) Unknown _____

Manual (Active) Belt System Use

(00) None used, not available, or belt removed/destroyed

(01) Inoperable (specify): _____

(02) Shoulder belt

(03) Lap belt

(04) Lap and shoulder belt

(05) Belt used - type unknown

(08) Other belt used (specify): _____

(12) Shoulder belt used with child safety seat

(13) Lap belt used with child safety seat

(14) Lap and shoulder belt used with child safety seat

(15) Belt used with child safety seat - type unknown

(18) Other belt used with child safety seat (specify): _____

(99) Unknown if belt used

Manual (Active) Belt Failure Modes During Accident

(0) No manual belt used or not available

(1) No manual belt failure(s)

(2) Torn webbing (stretched webbing not included)

(3) Broken buckle or latchplate

(4) Upper anchorage separated

(5) Other anchorage separated (specify): _____

(6) Broken retractor

(7) Combination of above (specify): _____

(8) Other manual belt failure (specify): _____

(9) Unknown _____

CHILD SAFETY SEAT FIELD ASSESSMENT

When a child safety seat is present enter the occupant's number in the first row and complete the column below the occupant's number using the codes listed below. Complete a column for each child safety seat present.

Occupant Number						
1. Type of Child Safety Seat						
2. Child Safety Seat Orientation						
3. Child Safety Seat Harness Usage						
4. Child Safety Seat Shield Usage						
5. Child Safety Seat Tether Usage						
6. Child Safety Seat Make/Model	Specify Below for Each Child Safety Seat					

1. Type of Child Safety Seat

- (0) No child safety seat
- (1) Infant seat
- (2) Toddler seat
- (3) Convertible seat
- (4) Booster seat
- (7) Other type child safety seat (specify):

- (8) Unknown child safety seat type
- (9) Unknown if child safety seat used

2. Child Safety Seat Orientation

- (00) No child safety seat
- Designed for Rear Facing for This Age/Weight
- (01) Rear facing
- (02) Forward facing
- (08) Other orientation (specify):

- (09) Unknown orientation

- Designed for Forward Facing for This Age/Weight
- (11) Rear facing
- (12) Forward facing
- (18) Other orientation (specify):

- (19) Unknown orientation

- Unknown Design or Orientation For This Age/Weight, or Unknown Age/Weight
- (21) Rear facing
- (22) Forward facing
- (28) Other orientation (specify):

- (29) Unknown orientation
- (99) Unknown if child safety seat used

3. Child Safety Seat Harness Usage

- 4. Child Safety Seat Shield Usage**
- 5. Child Safety Seat Tether Usage**
Note: Options Below Are Used for Variables 3-5.
- (00) No child safety seat
- Not Designed with Harness/Shield/Tether
- (01) After market harness/shield/tether added, not used
- (02) After market harness/shield/tether used
- (03) Child safety seat used, but no after market harness/shield/tether added
- (09) Unknown if harness/shield/tether added or used
- Designed With Harness/Shield/Tether
- (11) Harness/shield/tether not used
- (12) Harness/shield/tether used
- (19) Unknown if harness/shield/tether used

- Unknown If Designed With Harness/Shield/Tether
- (21) Harness/shield/tether not used
- (22) Harness/shield/tether used
- (29) Unknown if harness/shield/tether used
- (99) Unknown if child safety seat used

6. Child Safety Seat Make/Model
(Specify make/model and occupant number)

HEAD RESTRAINTS/SEAT EVALUATION

NOTES: Encode the applicable data for each seat position in the vehicle. The attribute for these variables may be found at the bottom of the page. Head restraint type/damage and seat type/performance should be assessed during the vehicle inspection then coded on the Occupant Assessment Form.

		Left	Center	Right
FIRST	Head Restraint Type/Damage	3	0	3
	Seat Type	02		02
	Seat Performance	1		1
	Seat Orientation	1		1
SECOND	Head Restraint Type/Damage	0	0	6
	Seat Type	03	03	03
	Seat Performance	1	1	1
	Seat Orientation	1	1	1
THIRD	Head Restraint Type/Damage			
	Seat Type			
	Seat Performance			
	Seat Orientation			
OTHER	Head Restraint Type/Damage			
	Seat Type			
	Seat Performance			
	Seat Orientation			

Head Restraint Type/Damage by Occupant at This Occupant Position

- (0) No head restraints
- (1) Integral — no damage
- (2) Integral — damaged during accident
- (3) Adjustable — no damage
- (4) Adjustable — damaged during accident
- (5) Add-on — no damage
- (6) Add-on — damaged during accident
- (8) Other Specify: _____
- (9) Unknown _____

Seat Type (this Occupant Position)

- (00) No seat
- (01) Bucket
- (02) Bucket with folding back
- (03) Bench
- (04) Bench with separate back cushions
- (05) Bench with folding back(s)
- (06) Split bench with separate back cushions
- (07) Split bench with folding back(s)
- (08) Pedestal (i.e., column supported)
- (09) Other seat type (specify): _____
- (10) Box mounted seat (i.e., van type)
- (99) Unknown

Seat Performance (this Occupant Position)

- (0) No seat
- (1) No seat performance failure(s)
- (2) Seat adjusters failed
- (3) Seat back folding locks or "seat back" failed specify: _____
- (4) Seat tracks/anchors failed
- (5) Deformed by impact of occupant
- (6) Deformed by passenger compartment intrusion (specify): _____
- (7) Combination of above (specify): _____
- (8) Other (specify): _____
- (9) Unknown _____

Seat Orientation (this Occupant Position)

- (0) No seat
- (1) Forward facing seat
- (2) Rear facing seat
- (3) Side facing seat (inward)
- (4) Side facing seat (outward)
- (8) Other (specify): _____
- (9) Unknown _____

DESCRIBE ANY INDICATION OF ABNORMAL OCCUPANT POSTURE (I.E., UNUSUAL OCCUPANT CONTACT PATTERN)

NONE

EJECTION/ENTRAPMENT DATA

Complete the following if the researcher has any indication that an occupant was either ejected from or entrapped in the vehicle. Code the appropriate data on the Occpant Assessment Form.

EJECTION No Yes []

Describe indications of ejection and body parts involved in partial ejection(s):

Occupant Number						
Ejection						
(Note on Vehicle Interior Sketch) Ejection Area	<i>None</i>					
Ejection Medium						
Medium Status						

- Ejection**
 (1) Complete ejection
 (1) Partial ejection
 (3) Ejection, Unknown degree
 (9) Unknown

- Ejection Area**
 (1) Windshield
 (2) Left front
 (3) Right front
 (4) Left rear
 (5) Right rear
 (6) Rear

- (7) Roof
 (8) Other area (e.g., back of pickup, etc.) (specify):

 (9) Unknown

- Ejection Medium**
 (1) Door/hatch/tailgate
 (2) Nonfixed roof structure
 (3) Fixed glazing
 (4) Nonfixed glazing (specify):

- (5) Integral structure
 (8) Other medium (specify):

 (9) Unknown

- Medium Status (Immediately Prior to Impact)**
 (1) Open
 (2) Closed
 (3) Integral structure
 (9) Unknown

ENTRAPMENT No Yes []

Describe entrapment mechanism: _____

Component(s): _____

(Note in vehicle interior diagram)

None

26. Seat Type (this Occupant Position) 0 2
- (00) Occupant not seated or no seat
 - (01) Bucket
 - (02) Bucket with folding back
 - (03) Bench
 - (04) Bench with separate back cushions
 - (05) Bench with folding back(s)
 - (06) Split bench with separate back cushions
 - (07) Split bench with folding back(s)
 - (08) Pedestal (i.e., column supported)
 - (09) Other seat type (specify): _____
 - (10) Box mounted seat (i.e., van type)
 - (99) Unknown

27. Seat Performance (this Occupant Position) 1
- (0) Occupant not seated or no seat
 - (1) No seat performance failure(s)
 - (2) Seat adjusters failed
 - (3) Seat back folding locks or "seat back" failed
 - (4) Seat track/anchors failed
 - (5) Deformed by impact of occupant
 - (6) Deformed by passenger compartment intrusion (specify): _____
 - (7) Combination of above (specify): _____
 - (8) Other (specify): _____
 - (9) Unknown

CHILD SAFETY SEAT

28. Child Safety Seat Make/Model 0 0 0
- (000) No child safety seat
 - Applicable codes are found in your NASS CDS Data Collection, Coding and Editing
 - (950) Built-in child safety seat
 - (997) Other make/model (specify): _____
 - (998) Unknown make/model
 - (999) Unknown if child safety seat used

29. Type of Child Safety Seat 0
- (0) No child safety seat
 - (1) Infant seat
 - (2) Toddler seat
 - (3) Convertible seat
 - (4) Booster seat
 - (7) Other type child safety seat (specify): _____
 - (8) Unknown child safety seat type
 - (9) Unknown if child safety seat used

30. Child Safety Seat Orientation 0 0
- (00) No child safety seat
 - Designed for Rear Facing for This Age/Weight*
 - (01) Rear facing
 - (02) Forward facing
 - (08) Other orientation (specify): _____
 - (09) Unknown orientation
 - Designed For Forward Facing for This Age/Weight*
 - (11) Rear facing
 - (12) Forward facing
 - (18) Other orientation (specify): _____
 - (19) Unknown orientation
 - Unknown Design or Orientation For This Age/Weight, or Unknown Age/Weight*
 - (21) Rear facing
 - (22) Forward facing
 - (28) Other orientation (specify): _____
 - (29) Unknown orientation
 - (99) Unknown if child safety seat used

31. Child Safety Seat Harness Usage 0 0
32. Child Safety Seat Shield Usage 0 0
33. Child Safety Seat Tether Usage 0 0
- Note: Options below applicable to Variables OA31-OA33.
- (00) No child safety seat

- Not Designed With Harness/Shield/Tether*
- (01) After market harness/shield/tether added, not used
- (02) After market harness/shield/tether used
- (03) Child safety seat used, but no after market harness/shield/tether added
- (09) Unknown if harness/shield/tether added or used

- Designed With Harness/Shield/Tether*
- (11) Harness/shield/tether not used
- (12) Harness/shield/tether used
- (19) Unknown if harness/shield/tether used

- Unknown If Designed With Harness/Shield/Tether*
- (21) Harness/shield/tether not used
- (22) Harness/shield/tether used
- (29) Unknown if harness/shield/tether used
- (99) Unknown if child safety seat used

PSU NUMBER	<u>09</u>
CASE NUMBER	<u>506A</u>
VEHICLE NUMBER	<u>02</u>
OCCUPANT NUMBER	<u>01</u>

OCCUPANT INJURY FORM

THE FOLLOWING DATA IS NOT INCLUDED IN THIS CASE:

ENTIRE FORM

PAGE NUMBER (S) _____

26. Seat Type (this Occupant Position) 0 2
- (00) Occupant not seated or no seat
 - (01) Bucket
 - (02) Bucket with folding back
 - (03) Bench
 - (04) Bench with separate back cushions
 - (05) Bench with folding back(s)
 - (06) Split bench with separate back cushions
 - (07) Split bench with folding back(s)
 - (08) Pedestal (i.e., column supported)
 - (09) Other seat type (specify): _____
 - (10) Box mounted seat (i.e., van type)
 - (99) Unknown

27. Seat Performance (this Occupant Position) 1
- (0) Occupant not seated or no seat
 - (1) No seat performance failure(s)
 - (2) Seat adjusters failed
 - (3) Seat back folding locks or "seat back" failed
 - (4) Seat track/anchors failed
 - (5) Deformed by impact of occupant
 - (6) Deformed by passenger compartment intrusion (specify): _____
 - (7) Combination of above (specify): _____
 - (8) Other (specify): _____
 - (9) Unknown

CHILD SAFETY SEAT

28. Child Safety Seat Make/Model 0 0 0
- (000) No child safety seat
 - Applicable codes are found in your NASS CDS Data Collection, Coding and Editing
 - (950) Built-in child safety seat
 - (997) Other make/model (specify): _____
 - (998) Unknown make/model
 - (999) Unknown if child safety seat used

29. Type of Child Safety Seat 0
- (0) No child safety seat
 - (1) Infant seat
 - (2) Toddler seat
 - (3) Convertible seat
 - (4) Booster seat
 - (7) Other type child safety seat (specify): _____
 - (8) Unknown child safety seat type
 - (9) Unknown if child safety seat used

30. Child Safety Seat Orientation 0 0
- (00) No child safety seat
 - Designed for Rear Facing for This Age/Weight*
 - (01) Rear facing
 - (02) Forward facing
 - (08) Other orientation (specify): _____
 - (09) Unknown orientation

- Designed For Forward Facing for This Age/Weight*
- (11) Rear facing
- (12) Forward facing
- (18) Other orientation (specify): _____
- (19) Unknown orientation

- Unknown Design or Orientation For This Age/Weight, or Unknown Age/Weight*
- (21) Rear facing
- (22) Forward facing
- (28) Other orientation (specify): _____
- (29) Unknown orientation
- (99) Unknown if child safety seat used

31. Child Safety Seat Harness Usage 0 0

32. Child Safety Seat Shield Usage 0 0

33. Child Safety Seat Tether Usage 0 0

Note: Options below applicable to Variables OA31-OA33.
(00) No child safety seat

- Not Designed With Harness/Shield/Tether*
- (01) After market harness/shield/tether added, not used
- (02) After market harness/shield/tether used
- (03) Child safety seat used, but no after market harness/shield/tether added
- (09) Unknown if harness/shield/tether added or used

- Designed With Harness/Shield/Tether*
- (11) Harness/shield/tether not used
- (12) Harness/shield/tether used
- (19) Unknown if harness/shield/tether used

- Unknown If Designed With Harness/Shield/Tether*
- (21) Harness/shield/tether not used
- (22) Harness/shield/tether used
- (29) Unknown if harness/shield/tether used
- (99) Unknown if child safety seat used



OCCUPANT INJURY FORM

1. Primary Sampling Unit Number <u>09</u>	3. Vehicle Number <u>02</u>
2. Case Number - Stratum <u>506A</u>	4. Occupant Number <u>02</u>

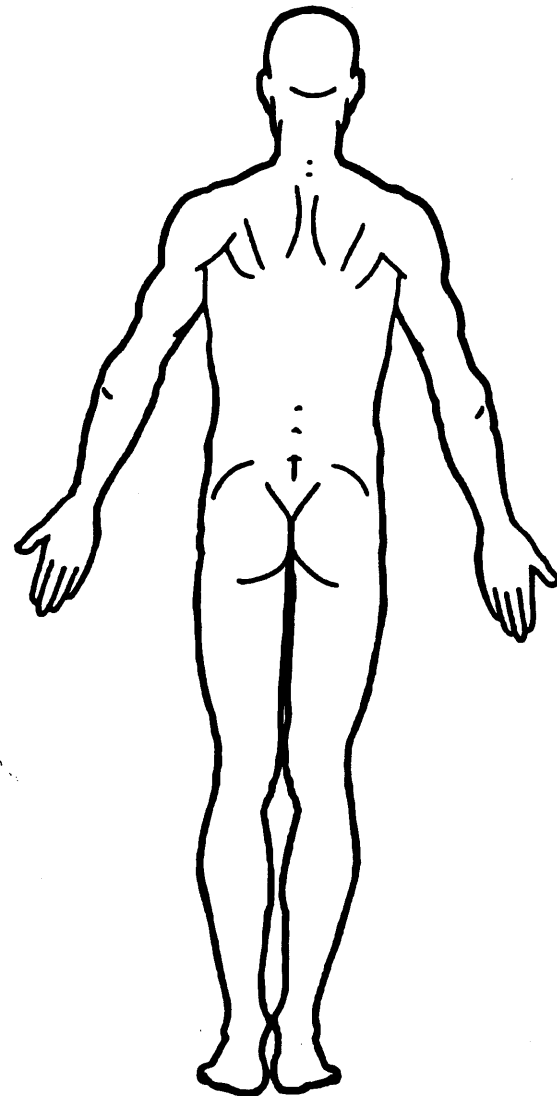
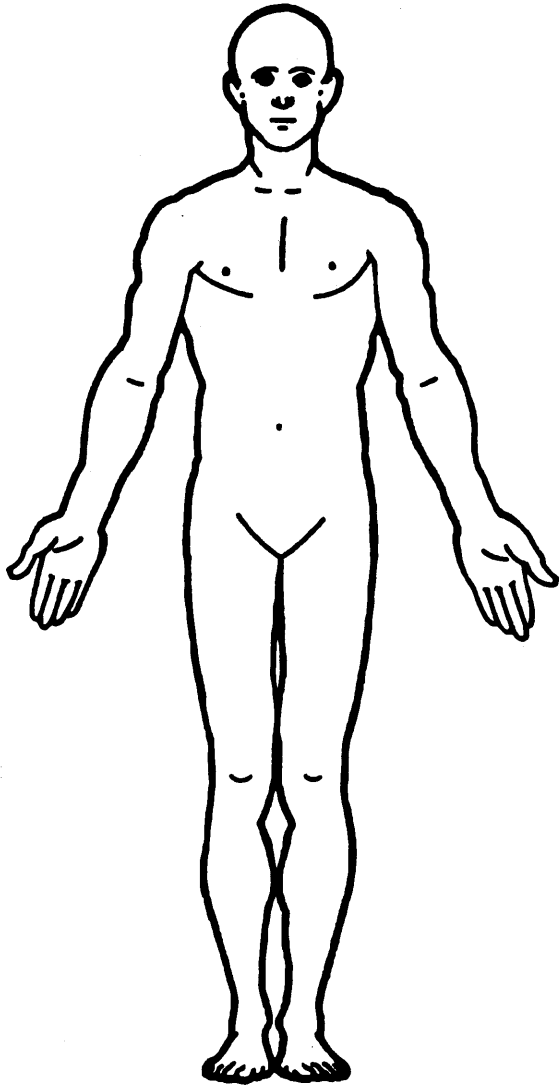
INJURY DATA-

Record below the actual injuries sustained by this occupant that were identified from the official and unofficial data sources. Remember not to double count an injury just because it was identified from two different sources. If greater than ten injuries have been documented, encode the balance on the Occupant Injury Supplement.

	Source of Injury Data	O.I.C.-A.I.S					Injury Source	Injury Source Confidence Level	Direct/ Indirect Injury	Occupant Area Intrusion No.
		Body Region	Aspect	Lesion	System Organ	A.I.S. Severity				
1st	5. <u>7</u>	6. <u>K</u>	7. <u>L</u>	8. <u>C</u>	9. <u>I</u>	10. <u>1</u>	11. <u>12</u>	12. <u>1</u>	13. <u>1</u>	14. <u>00</u>
2nd	15. <u>7</u>	16. <u>K</u>	17. <u>R</u>	18. <u>C</u>	19. <u>I</u>	20. <u>1</u>	21. <u>12</u>	22. <u>1</u>	23. <u>1</u>	24. <u>00</u>
3rd	25. <u> </u>	26. <u> </u>	27. <u> </u>	28. <u> </u>	29. <u> </u>	30. <u> </u>	31. <u> </u>	32. <u> </u>	33. <u> </u>	34. <u> </u>
4th	35. <u> </u>	36. <u> </u>	37. <u> </u>	38. <u> </u>	39. <u> </u>	40. <u> </u>	41. <u> </u>	42. <u> </u>	43. <u> </u>	44. <u> </u>
5th	45. <u> </u>	46. <u> </u>	47. <u> </u>	48. <u> </u>	49. <u> </u>	50. <u> </u>	51. <u> </u>	52. <u> </u>	53. <u> </u>	54. <u> </u>
6th	55. <u> </u>	56. <u> </u>	57. <u> </u>	58. <u> </u>	59. <u> </u>	60. <u> </u>	61. <u> </u>	62. <u> </u>	63. <u> </u>	64. <u> </u>
7th	65. <u> </u>	66. <u> </u>	67. <u> </u>	68. <u> </u>	69. <u> </u>	70. <u> </u>	71. <u> </u>	72. <u> </u>	73. <u> </u>	74. <u> </u>
8th	75. <u> </u>	76. <u> </u>	77. <u> </u>	78. <u> </u>	79. <u> </u>	80. <u> </u>	81. <u> </u>	82. <u> </u>	83. <u> </u>	84. <u> </u>
9th	85. <u> </u>	86. <u> </u>	87. <u> </u>	88. <u> </u>	89. <u> </u>	90. <u> </u>	91. <u> </u>	92. <u> </u>	93. <u> </u>	94. <u> </u>
10th	95. <u> </u>	96. <u> </u>	97. <u> </u>	98. <u> </u>	99. <u> </u>	100. <u> </u>	101. <u> </u>	102. <u> </u>	103. <u> </u>	104. <u> </u>

OFFICIAL INJURY DATA — SOFT TISSUE INJURIES

Indicate the Location, Lesion, Detail (size, depth, fracture type, head injury clinical signs and neurological deficits), and Source of all injuries indicated by official sources (or from PAR or other unofficial sources if medical records and interviewee data are unavailable.)



SOURCE OF INJURY DATA

OFFICIAL

- (1) Autopsy records with or without hospital medical records
- (2) Hospital medical records other than emergency room (e.g., discharge summary)
- (3) Emergency room records only (including associated X-rays or other lab reports)
- (4) Private physician, walk-in or emergency clinic

UNOFFICIAL

- (5) Lay coroner report
- (6) E.M.S. personnel
- (7) Interviewee
- (8) Other source (specify): _____
- (9) Police

INJURY SOURCE

FRONT

- (01) Windshield
- (02) Mirror
- (03) Sunvisor
- (04) Steering wheel rim
- (05) Steering wheel hub/spoke
- (06) Steering wheel (combination of codes 04 and 05)
- (07) Steering column, transmission selector lever, other attachment
- (08) Add on equipment (e.g., CB, tape deck, air conditioner)
- (09) Left instrument panel and below
- (10) Center instrument panel and below
- (11) Right instrument panel and below
- (12) Glove compartment door
- (13) Knee bolster
- (14) Windshield including one or more of the following: front header, A-pillar, instrument panel, mirror, or steering assembly (driver side only)
- (15) Windshield including one or more of the following: front header, A-pillar, instrument panel, or mirror (passenger side only)
- (16) Other front object (specify): _____

LEFT SIDE

- (20) Left side interior surface, excluding hardware or armrests
- (21) Left side hardware or armrest
- (22) Left A pillar
- (23) Left B pillar
- (24) Other left pillar (specify): _____
- (25) Left side window glass or frame

- (26) Left side window glass including one or more of the following: frame, window sill, A-pillar, B-pillar, or roof side rail.
- (27) Other left side object (specify): _____

- (28) Left side window sill

RIGHT SIDE

- (30) Right side interior surface, excluding hardware or armrests
- (31) Right side hardware or armrest
- (32) Right A pillar
- (33) Right B pillar
- (34) Other right pillar (specify): _____

- (35) Right side window glass or frame
- (36) Right side window glass including one or more of the following: frame, window sill, A pillar, B pillar, or roof side rail.
- (37) Other right side object (specify): _____

- (38) Right side window sill

INTERIOR

- (40) Seat, back support
- (41) Belt restraint webbing/buckle
- (42) Belt restraint B-pillar attachment point
- (43) Other restraint system component (specify): _____
- (44) Head restraint system
- (45) Air bag
- (46) Other occupants (specify): _____
- (47) Interior loose objects
- (48) Child safety seat (specify): _____
- (49) Other interior object (specify): _____

ROOF

- (50) Front header
- (51) Rear header
- (52) Roof left side rail
- (53) Roof right side rail
- (54) Roof or convertible top

FLOOR

- (56) Floor (including toe pan)
- (57) Floor or console mounted transmission lever, including console
- (58) Parking brake handle
- (59) Foot controls including parking brake

REAR

- (60) Backlight (rear window)

- (61) Backlight storage rack, door, etc.
- (62) Other rear object (specify): _____

EXTERIOR of OCCUPANT'S VEHICLE

- (65) Hood
- (66) Outside hardware (e.g., outside mirror, antenna)
- (67) Other exterior surface or tires (specify): _____
- (68) Unknown exterior objects

EXTERIOR OF OTHER MOTOR VEHICLE

- (70) Front bumper
- (71) Hood edge
- (72) Other front of vehicle (specify): _____

- (73) Hood
- (74) Hood ornament
- (75) Windshield, roof rail, A-pillar
- (76) Side surface
- (77) Side mirrors
- (78) Other side protrusions (specify)

- (79) Rear surface
- (80) Undercarriage
- (81) Tires and wheels
- (82) Other exterior of other motor vehicle (specify): _____

- (83) Unknown exterior of other motor vehicle

OTHER VEHICLE OR OBJECT IN THE ENVIRONMENT

- (84) Ground
- (85) Other vehicle or object (specify) _____
- (86) Unknown vehicle or object

NONCONTACT INJURY

- (90) Fire in vehicle
- (91) Flying glass
- (92) Other noncontact injury source (specify): _____
- (93) Air bag exhaust gases
- (97) Injured, unknown source

INJURY SOURCE CONFIDENCE LEVEL

- (1) Certain
- (2) Probable
- (3) Possible
- (9) Unknown

DIRECT/INDIRECT INJURY

- (1) Direct contact injury
- (2) Indirect contact injury
- (3) Noncontact injury
- (7) Injured, unknown source

OCCUPANT INJURY CLASSIFICATION

O.I.C. Body Region

- (M) Abdomen
- (Q) Ankle-foot
- (A) Arm (upper)
- (B) Back-thoracolumbar spine
- (C) Chest
- (E) Elbow
- (F) Face
- (R) Forearm
- (H) Head-skull
- (U) Injured, unknown region
- (K) Knee
- (L) Leg (lower)
- (Y) Lower limb(s) (whole or unknown part)
- (N) Neck-cervical spine
- (P) Pelvic-hip
- (S) Shoulder
- (T) Thigh
- (X) Upper limb(s) (whole or unknown part)
- (O) Whole body
- (W) Wrist-hand

Aspect of Injury

- (A) Anterior-front
- (B) Bilateral (rib fracture only)
- (C) Central
- (I) Inferior-lower
- (U) Injured, unknown aspect
- (L) Left
- (P) Posterior-back
- (R) Right
- (S) Superior-upper
- (W) Whole region

Lesion

- (A) Abrasion
- (M) Amputation
- (V) Avulsion
- (B) Burn
- (K) Concussion
- (C) Contusion
- (N) Crush
- (G) Detachment, separation
- (D) Dislocation

- (F) Fracture
- (Z) Fracture and dislocation
- (U) Injured, unknown lesion
- (L) Laceration
- (O) Other
- (P) Perforation, puncture
- (R) Rupture
- (S) Sprain
- (T) Strain
- (E) Total severance, transection

System/Organ

- (W) All systems in region
- (A) Arteries-veins
- (B) Brain
- (D) Digestive
- (E) Ears
- (O) Eye
- (H) Heart
- (U) Injured, unknown system
- (I) Integumentary
- (J) Joints
- (K) Kidneys

- (L) Liver
- (M) Muscles
- (N) Nervous system
- (P) Pulmonary-lungs
- (R) Respiratory
- (S) Skeletal
- (C) Spinal cord
- (Q) Spleen
- (T) Thyroid, other endocrine gland
- (V) Vertebrae

Abbreviated Injury Scale

- (1) Minor injury
- (2) Moderate injury
- (3) Serious injury
- (4) Severe injury
- (5) Critical injury
- (6) Maximum (untreatable)
- (7) Injured, unknown severity

OFFICIAL INJURY DATA — SKELETAL INJURIES

Restrained?

No

Yes

Blood Alcohol
Level (mg/dl)

BAL = _____

Glasgow Coma
Scale Score

GCSS = _____

Units of Blood
Given

Units = _____

Arterial Blood
Gases

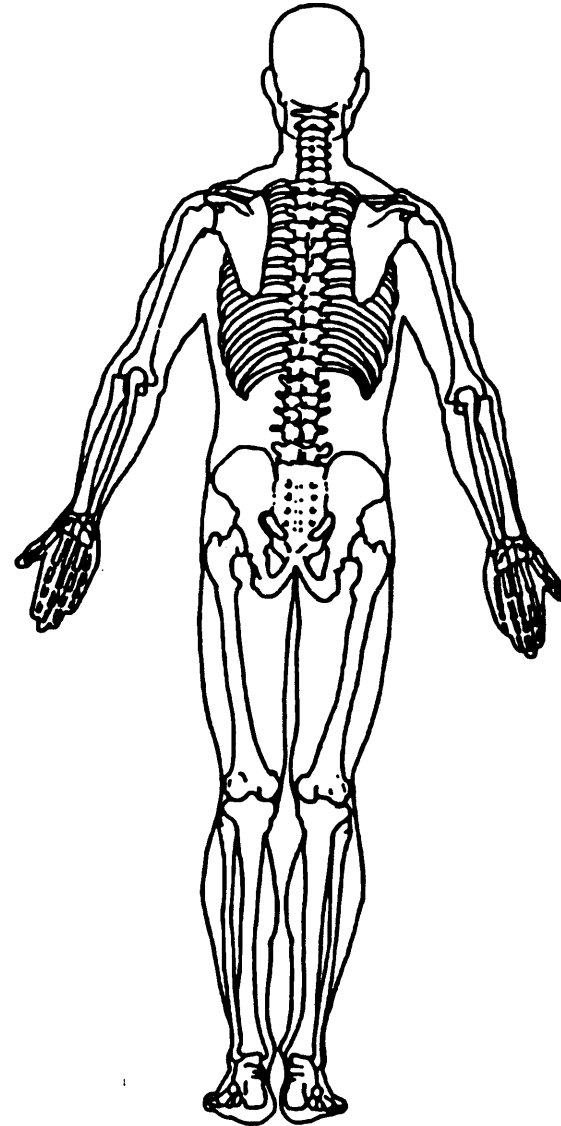
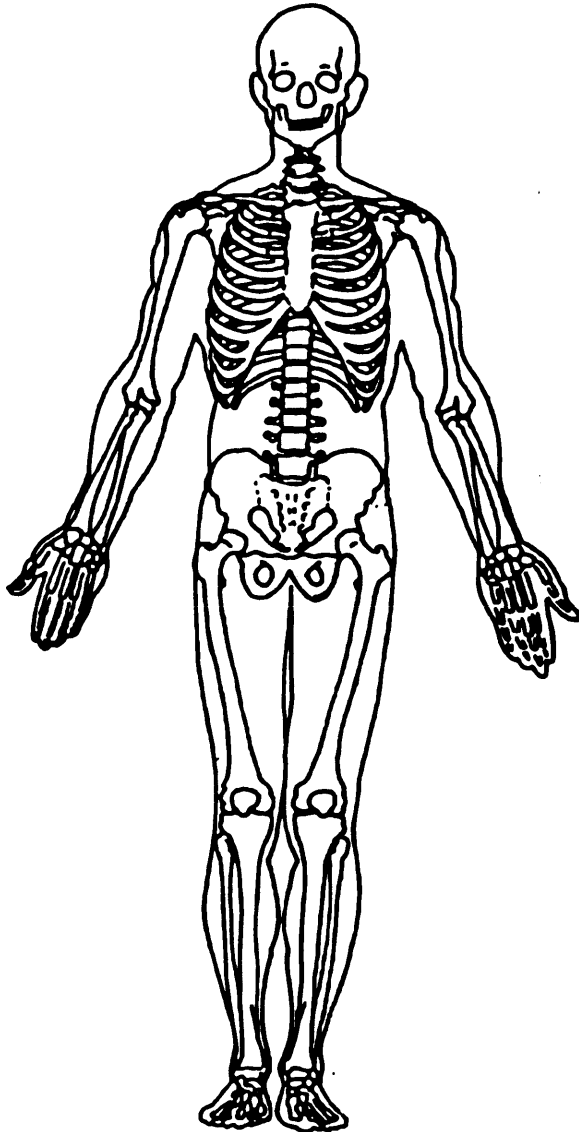
pH = _____

PO₂ = _____

PCO₂ = _____

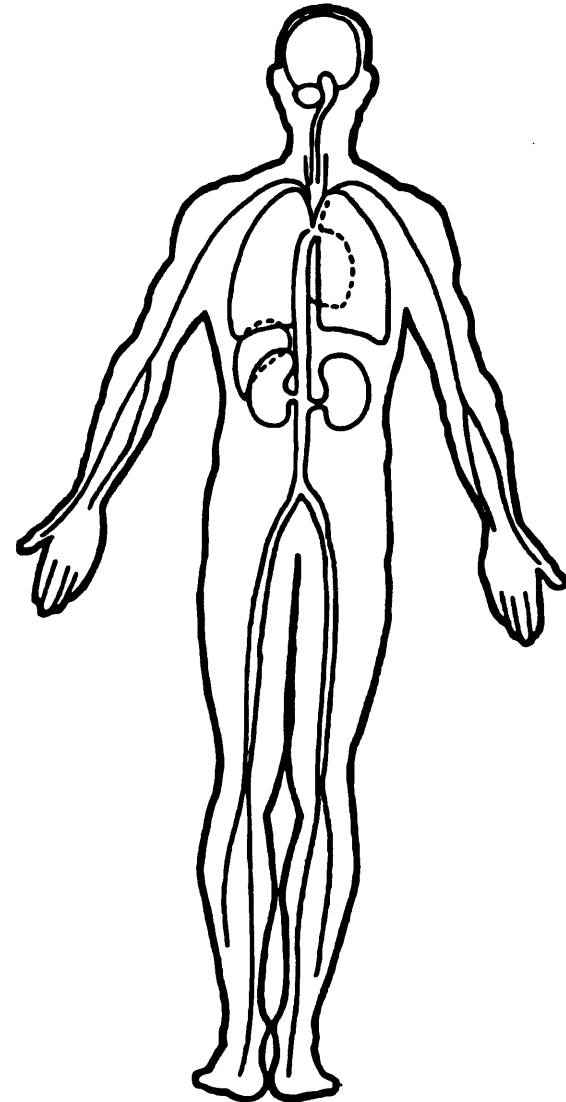
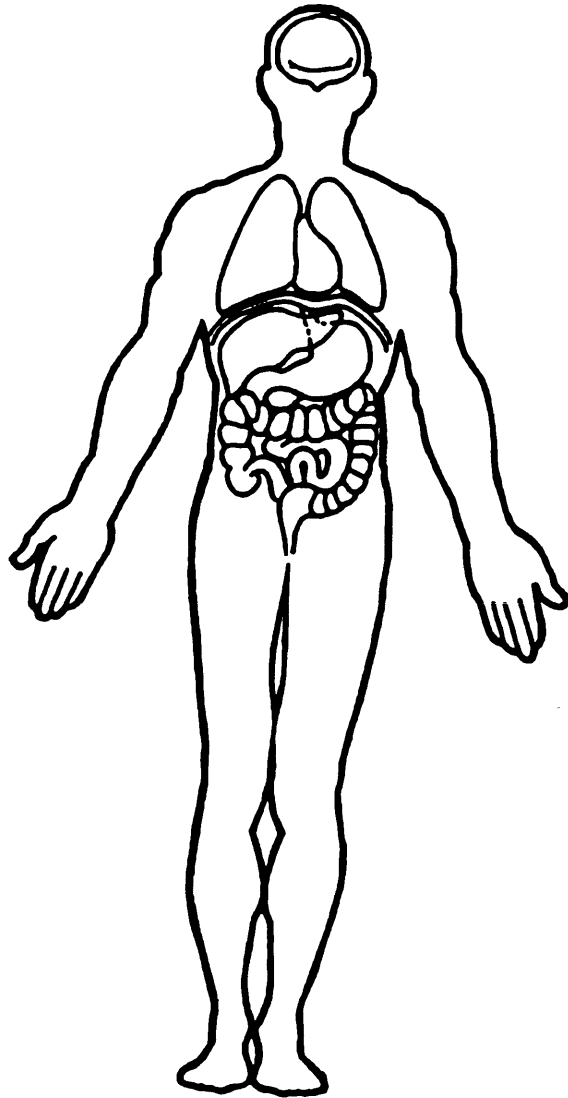
HCO₃ = _____

Indicate the Location, Lesion, Detail (size, depth, fracture type, head injury clinical signs and neurological deficits), and Source of all injuries indicated by official sources (or from PAR or other unofficial sources if medical records and interviewee data are unavailable.)



OFFICIAL INJURY DATA — INTERNAL INJURIES

Indicate the Location, Lesion, Detail (size, depth, fracture type, head injury clinical signs and neurological deficits), and Source of all injuries indicated by official sources (or from PAR or other unofficial sources if medical records and interviewee data are unavailable.)



OCCUPANT ASSESSMENT Vehicle: 1 Occupant: 1

11

INTRA ERRORS

OHH1271 2

***** THIS CASE SHOWS EJECTION WITH RESTRAINT USEAGE. *****
***** CHECK YOUR DATA AND IF CORRECT, NOTIFY YOUR ZONE *****
EJECTION OA12 is equal to 1-3 and (MANUAL BELT USE OA18 does not
equal 00 or AIR BAG DEPLOYMENT OA22 does not equal 0
or AUTOMATIC BELT USE OA45 does not equal 0).

HH1272
HH1273
HH1274
HH1275

HH1281 2 ***** THIS VEHICLE IS INDICATED AS HAVING AN AIRBAG. *****
HH1282 ***** CHECK YOUR DATA AND IF CORRECT, NOTIFY YOUR ZONE *****
HH1283 AIR BAG AVAILABILITY/FUNCTION OA21 equals 1-3.

HH1991 2 ***** THIS CASE SHOWS AN AIR BAG DIDN'T DEPLOY. *****
HH1992 ***** CHECK YOUR DATA AND IF CORRECT, NOTIFY YOUR ZONE *****
HH1993 ***** AND NHTSA HEADQUARTERS AT [REDACTED] *****
HH1994 AIR BAG DEPLOYMENT OA22 equals 4.

0

OCCUPANT ASSESSMENT Vehicle: 2 Occupant: 2

11

INTRA ERRORS

T OA35 equals 0, 4 or 5, then WORKING DAYS LOST OA38
1 00, 01, 97 or 99. OHH1091 2 If TREATMEN
HH1092 should equa

01

INTER ERRORS

T EV11 OEHO011 2 If TREATMENT OA35 equals 1, then 1st DEFORMATION EXTEN
EH0012 should be greater than 03. GV=01 OA=01

HT0041 2 If TREATMENT OA35 equals 0, then no SOURCE OF DATA OI05(n)
HT0042 should equal 1-6. GV=02 OA=02

FSU09

ERROR SUMMARY SCREEN

[REDACTED] 93

CASE 506A

CURRENT VERSION: 5.03

FORM NAME	NUMBER OF DOLLAR SIGNS	NUMBER OF LEVEL 1 ERRORS	NUMBER OF LEVEL 2 ERRORS	VERSION NUMBER CONSISTENT
Accident	0	0	0	Y
General Vehicle	0	0	0	Y
Vehicle Exterior	0	0	0	Y
Vehicle Interior	0	0	0	Y
Occupant Assesment	0	0	4	Y
Occupant Interior	0	0	0	Y
Total Inter Errors		0	2	
Total Case Errors	0	0	6	



PSU 09-506A (1992) #1



PSU 09-506A (1992) #2



PSU 09-506A (1992) #3



PSU 09-506A (1992) #4



PSU 09-506A (1992) #5



PSU 09-506A (1992) #6



PSU 09-506A (1992) #7



PSU 09-508A (1992) #8



PSU 09-506A (1992) #9



PSU 09-506A (1992) #10



PSU 09-506A (1992) #11



PSU 09-506A (1992) #12



PSU 09-506A (1992) #13



PSU 09-506A (1992) #14



PSU 09-506A (1992) #15



PSU 09-506A (1992) #16



PSU 09-506A (1992) #17



PSU 09-506A (1992) #18



PSU 09-506A (1992) #19



PSU 09-506A (1992) #20



PSU 09-506A (1992) #21



PSU 09-506A (1992) #22



PSU 09-506A (1992) #23



PSU 09-506A (1992) #24



PSU 09-506A (1992) #25



PSU 09-506A (1992) #26



PSU 09-506A (1992) #27



PSU 09-506A (1992) #29



PSU 09-506A (1992) #29



PSU 09-506A (1992) #30



PSU 09-506A (1992) #31



PSU 09-506A (1992) #32



PSU 09-506A (1992) #33



PSU 09-506A (1992) #34



PSU 09-508A (1992) #35



PSU 09-506A (1992) #36



PSU 09-506A (1992) #37



PSU 09-506A (1992) #38



PSU 09-506A (1992) #39



PSU 09-506A (1992) #40



PSU 09-506A (1992) #41



PSU 09-506A (1992) #42



PSU 09-506A (1992) #43



PSU 09-506A (1992) #44



PSU 09-506A (1992) #45



PSU 09-506A (1992) #46



PSU 09-506A (1992) #47



PSU 09-506A (1992) #48



PSU 09-506A (1992) #49



PSU 09-506A (1992) #50



PSU 09-506A (1992) #51



PSU 09-506A (1992) #52



PSU 09-506A (1992) #53



PSU 09-508A (1992) #54



PSU 09-506A (1992) #55



PSU 09-506A (1992) #56



PSU 09-506A (1992) #57



PSU 09-506A (1992) #58



PSU 09-508A (1992) #59



PSU 09-506A (1992) #60



PSU 09-506A (1992) #61



PSU 09-506A (1992) #62



PSU 09-506A (1992) #63



PSU 09-506A (1992) #64



PSU 09-506A (1992) #65



PSU 09-506A (1992) #66



PSU 09-506A (1992) #67



PSU 09-508A (1992) #68



PSU 09-506A (1992) #69



PSU 09-506A (1992) #70



PSU 09-506A (1992) #71



PSU 09-506A (1992) #72



PSU 09-506A (1992) #73



PSU 09-506A (1992) #74



PSU 09-508A (1992) #76



PSU 09-506A (1992) #76



PSU 09-506A (1992) #77



PSU 09-506A (1992) #78



PSU 09-508A (1992) #79



PSU 09-506A (1992) #80



PSU 09-506A (1992) #81



PSU 09-508A (1992) #82



PSU 09-506A (1992) #83



PSU 09-506A (1992) #84



PSU 09-508A (1992) #85



PSU 09-506A (1992) #86



PSU 09-506A (1992) #87



PSU 09-506A (1992) #88



PSU 09-506A (1992) #89



PSU 09-506A (1992) #90



PSU 09-506A (1992) #91



FSU 09-506A (1992) #92



PSU 09-508A (1992) #93



PSU 09-506A (1992) #94



PSU 09-506A (1992) #95



PSU 09-508A (1992) #96



PSU 09-508A (1992) #97



PSU 09-506A (1992) #98



PSU 09-506A (1992) #99



PSJ 09-506A (1992) #100



PSU 09-506A (1992) #101



PSU 09-506A (1992) #102



PSU 09-506A (1992) #103



PSU 09-506A (1992) #104