



U.S. Department
of Transportation

**National Highway
Traffic Safety
Administration**

400 Seventh Street, S.W.
Washington, D.C. 20590

Dear Crash Data Researchers/Users:

Thank you for choosing crash data from the National Highway Traffic Safety Administration (NHTSA) for your research or other use. The information contained in this motor vehicle crash report is collected, maintained and distributed in accordance with Public Law 89-564. In accordance with this Public Law, NHTSA is required not to release any case information until completion of quality control procedures. These procedures include a review of the case material to extract all names, licenses and registration numbers, non-coded interview material, non-research related researcher comments in the margins, non-factual data, and the production number portion of the vehicle identification number (VIN).

If you requested NHTSA to query its database files in order to identify a specific crash, then that query was made using non-personal descriptors you provided for use in our search. This motor vehicle crash may have been identified from a data search and matches the general, non-personal descriptors you provided, but we cannot confirm that this is the specific crash report you requested.

If you have any questions with regard to the above procedures, please contact the Field Operations Branch, Crash Investigation Division, National Center for Statistics and Analysis at 202-366-4820. Again, please be advised that we cannot confirm that this is the case that you have specifically requested nor can we certify the information to be correct.

*** **



AUTO SAFETY HOTLINE
(800) 424-9393
Wash. D.C. Area 366-0123



CASE SUMMARY

PSU 11 CASE NO. 112A TYPE OF ACCIDENT Car / Tractor trailer- head on

A. DESCRIPTION OF THE ACCIDENT SEQUENCE AND ACCIDENT PECULIARITIES

(Provide a summary of the accident sequence as well as any particular event of the accident that is noteworthy. Injury mechanism and vehicle crashworthiness is the focus, not driver culpability. Do not include any personal identifiers.)

Vehicle 1 was westbound on a two lane rural roadway entering a curve. Vehicle 2 a semi tractor trailer, was eastbound in the right lane also entering a curve. Vehicle 1 crossed the left center line and contacted vehicle2 head on. The driver of vehicle 1 was dead on scene.

B. VEHICLE PROFILE(S)

Vehicle No.	Class of Vehicle	Year/Make/Model	Most Severe Damage Based on Vehicle Inspection		Component Failure
			Damage Plane	Severity Description	
1	Intermediate	90/ Mercury/ Sable	front	severe	none
2	Tractor trailer	93/ Ford/ Tractor	front	Unknown	Unknown

DO NOT SANITIZE THIS FORM

C. PERSON PROFILE(S)

Vehicle No.	Person Role	Seat Position	Restraint Use	Most Severe Injury (TO BE COMPLETED BY ZONE CENTER)			
				Body Region	Injury Type	AIS	Injury Source
1	driver	front left	lap & shoulder + Air bag	Femur	Fracture	3	(L) INSTRUMENT PANEL AND BELOW
2	driver	front left	Unk				

<p>Body Region</p> <ul style="list-style-type: none"> Abdomen Ankle—foot Arm (upper) Back-thoracolumbar spine Chest Elbow Face Forearm Head—skull Knee Leg (lower) Lower limb(s) (whole or unknown part) Neck—cervical spine Pelvic—hip Shoulder Thigh Upper limb(s) (whole or unknown part) Whole body Wrist—hand 	<p>Brain</p> <ul style="list-style-type: none"> Ears Eye Heart Kidneys Liver Mouth Noise Pulmonary—lungs Spleen Thyroid, other endocrine gland Vertebrae <p>Injury Type</p> <ul style="list-style-type: none"> Abrasion Amputation Avulsion Burn Concussion Contusion Crush Detachment, separation 	<p>Dislocation</p> <ul style="list-style-type: none"> Fracture Fracture and dislocation Laceration Other Perforation, puncture Rupture Sprain Strain Total severance, transection Unknown <p>Abbreviated Injury Scale</p> <ul style="list-style-type: none"> (1) Minor injury (2) Moderate injury (3) Serious injury (4) Severe injury (5) Critical injury (6) Maximum (untreatable) (7) Injured, unknown severity
--	---	---

DO NOT SANITIZE THIS FORM



U.S. Department of Transportation
National Highway Traffic Safety
Administration

ACCIDENT COLLISION DIAGRAM

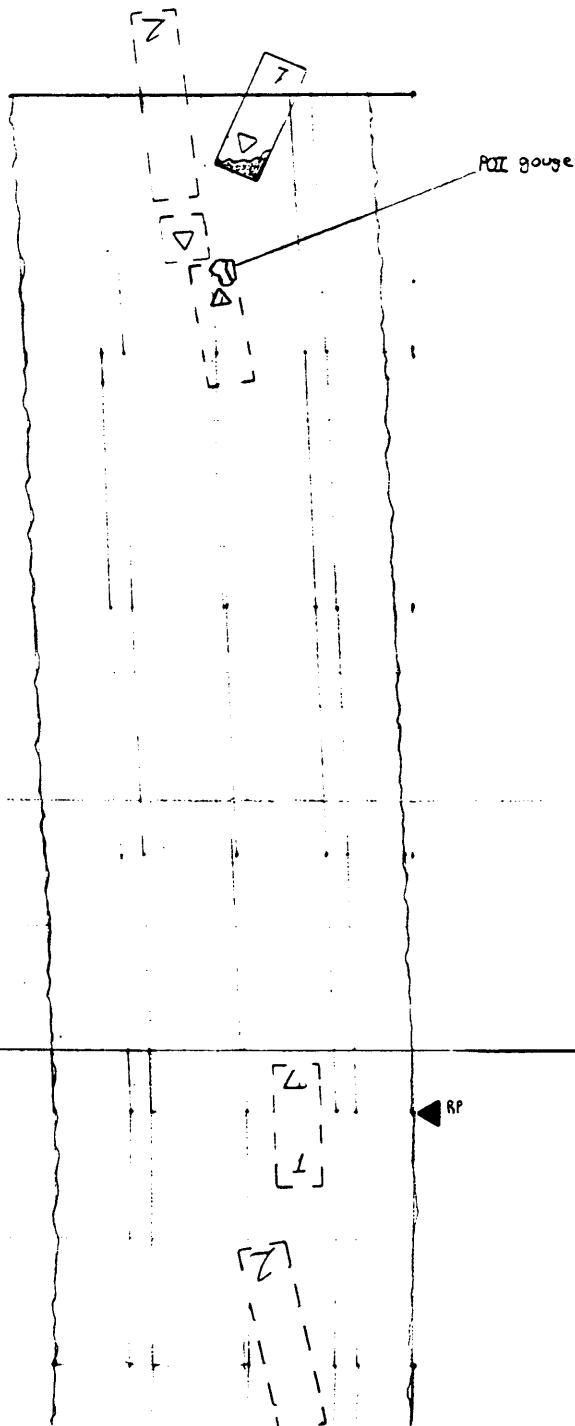
NATIONAL ACCIDENT SAMPLING SYSTEM
CRASHWORTHINESS DATA SYSTEM

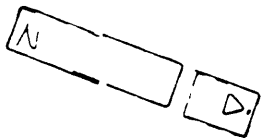
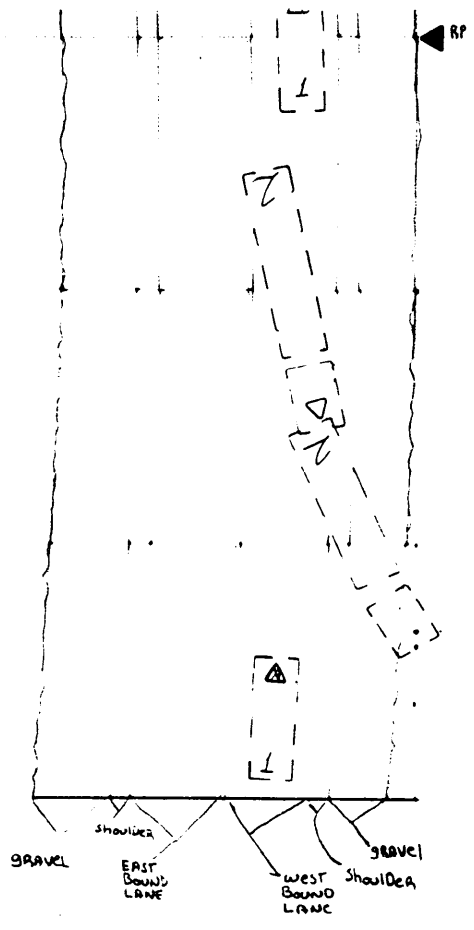
PSU No. 11

Case Number - Stratum 112A

1/250

Indicate
North





3 of 3



Form 431B (1/93)



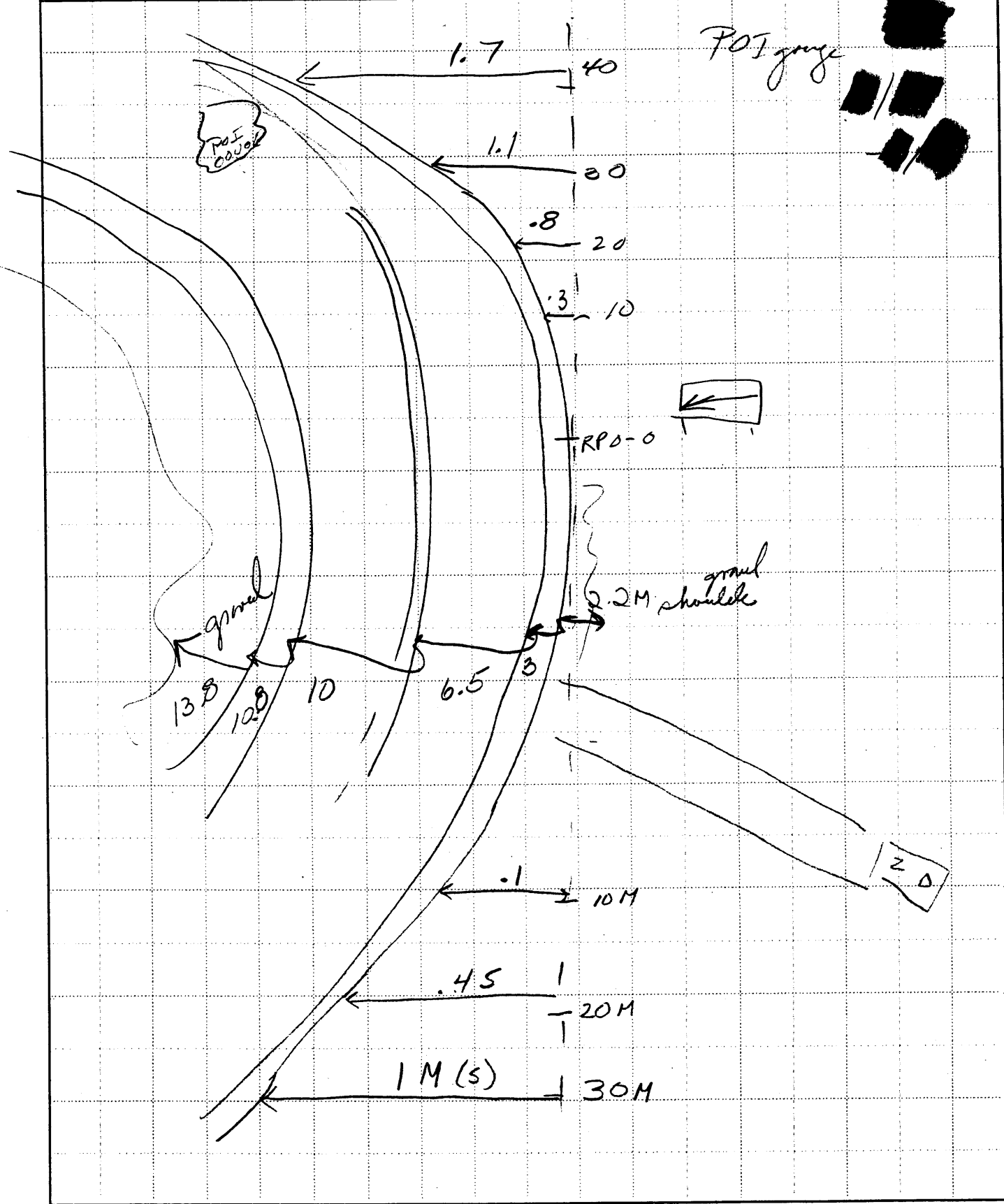
U.S. Department of Transportation
National Highway Traffic Safety
Administration

ACCIDENT COLLISION DIAGRAM

NATIONAL ACCIDENT SAMPLING SYSTEM
CRASHWORTHINESS DATA SYSTEM

PSU No. 11 Case Number—Stratum 112A

Indicate North 





ACCIDENT COLLISION MEASUREMENT TABLE

Primary Sampling Unit Number 11

Case Number—Stratum 1 1 2 A

ACCIDENT COLLISION DIAGRAM		CRASH DATA
<p style="text-align: center;">LEVEL I PHYSICAL EVIDENCE ABSENT</p> <p>To be accomplished when there is no physical evidence present at the scene:</p> <ul style="list-style-type: none"> • approximate vehicle orientation at impact and final rest • applicable road/roadway delineation (e.g., curbs/edge lines, lane markings, median markings, pavement markings, etc.) • applicable traffic controls (e.g., speed limit) • north arrow placed on diagram • sketch required 	<p style="text-align: center;">LEVEL II (Cont'd) physical evidence is present:</p> <ul style="list-style-type: none"> • document reference point and reference line relative to physical features present at the scene: • scale documentation of all accident induced physical evidence • scaled documentation of all roadside objects contacted • roadway surface type and condition of applicable roadways • grade measurements for all applicable roadways and at location of rollover initiation • scaled representations of the vehicle(s) at pre-impact, impact, and final rest based upon either: <ul style="list-style-type: none"> a) physical evidence, or b) reconstructed accident dynamics 	<p style="text-align: center;">VEH. #1 VEH. #2 VEH. #3</p> <p>Heading Angle <u>B. turn</u> <u>—</u> <u>—</u></p> <p>Surface Type <u>B. turn</u> <u>—</u> <u>—</u></p> <p>Surface Condition <u>Rain</u> <u>—</u> <u>—</u></p> <p>Grade (v/h) Measurement (between impact and final rest) <u>+2/48</u> <u>-2/48</u> <u>—</u></p> <p>Grade (v/h) Measurement (at location of rollover initiation) <u>—</u> <u>—</u> <u>—</u></p>
<p style="text-align: center;">LEVEL II PHYSICAL EVIDENCE PRESENT</p> <p>In addition to the level I tasks noted above, the following must be accomplished when</p>		

Reference Point: Curve sign into RL

Reference line: N. line laid out to straighten out curve

Item	Distance and Direction from Reference Point	Distance and Direction from Reference Line
<u>POI gauge</u>	<u>33 W</u>	<u>7.45</u>
<u>V₂ departs roadway LF</u>	<u>23.5 E</u>	<u>.9 N</u>
<u>RF</u>	<u>26.4</u>	<u>0</u>
RF		
<u>FRP V₂ of in field</u>		
<u>RF</u>	<u>34 E</u>	<u>33.3 N</u>
<u>LF</u>	<u>34 E</u>	<u>33.3 N</u>



ACCIDENT FORM

1. Primary Sampling Unit Number 11
2. Case Number - Stratum 11 24

IDENTIFICATION

3. Number of General Vehicle Forms Submitted 02
4. Date of Accident (Month, Day, Year) 19 3
5. Time of Accident 1545
Code reported military time of accident.
NOTE: Midnight = 2400
Unknown = 9999

SPECIAL STUDIES - INDICATORS

Check (✓) each special study (SS14-SS18 below) that has been completed; code 1 for the checked special studies and 0 for the special studies not checked.

6. SS14 Fatal AOPS 1
7. SS15 Administrative Use 0
8. SS16 _____ 0
9. SS17 _____ 0
10. SS18 _____ 0

NUMBER OF EVENTS

11. Number of Recorded Events in This Accident 01
Code the number of events which occurred in this accident.

ACCIDENT EVENTS

For each event that occurred in the accident, code the lowest numbered vehicle in the left columns and the other involved vehicle or object on the right.

Accident Event Sequence Number	Vehicle Number	Class Of Vehicle	General Area of Damage	Vehicle Number or Object Contacted	Class Of Vehicle	General Area of Damage
12. <u>0 1</u>	13. <u>01</u>	14. <u>03</u>	15. <u>F</u>	16. <u>02</u>	17. <u>24</u>	18. <u>F</u>
19. <u>0 2</u>	20. _____	21. _____	22. _____	23. _____	24. _____	25. _____
26. <u>0 3</u>	27. _____	28. _____	29. _____	30. _____	31. _____	32. _____
33. <u>0 4</u>	34. _____	35. _____	36. _____	37. _____	38. _____	39. _____
40. <u>0 5</u>	41. _____	42. _____	43. _____	44. _____	45. _____	46. _____

IF GREATER THAN FIVE EVENTS, CONTINUE CODING ON THE ACCIDENT EVENT SUPPLEMENT

CODES FOR CLASS OF VEHICLE

- (00) Not a motor vehicle
- (01) Subcompact/mini (wheelbase < 254 cm)
- (02) Compact (wheelbase ≥ 254 but < 265 cm)
- (03) Intermediate (wheelbase ≥ 265 but < 278 cm)
- (04) Full size (wheelbase ≥ 278 but < 291 cm)
- (05) Largest (wheelbase ≥ 291 cm)
- (09) Unknown passenger car size
- (11) Compact utility vehicle
- (12) Large utility vehicle (≤ 4,500 kgs GVWR)
- (13) Passenger van (≤ 4,500 kgs GVWR)
- (14) Other van (≤ 4,500 kgs GVWR)
- (15) Pickup truck (≤ 4,500 kgs GVWR)
- (18) Other truck (≤ 4,500 kgs GVWR)
- (19) Unknown light truck type
- (20) School bus
- (21) Other bus
- (22) Truck (> 4,500 kgs GVWR)
- (23) Tractor without trailer
- (24) Tractor-trailer(s)
- (25) Motored cycle
- (28) Other vehicle
- (99) Unknown

CODES FOR GENERAL AREA OF DAMAGE (GAD)

CDS APPLICABLE AND OTHER VEHICLES

- (O) Not a motor vehicle
- (N) Noncollision
- (F) Front
- (R) Right side
- (L) Left side
- (B) Back
- (T) Top
- (U) Undercarriage
- (9) Unknown

TDC APPLICABLE VEHICLES

- (O) Not a motor vehicle
- (N) Noncollision
- (F) Front
- (R) Right side
- (L) Left side
- (B) Back of unit with cargo area (rear of trailer or straight truck)
- (D) Back (rear of tractor)
- (C) Rear of cab
- (V) Front of cargo area
- (T) Top
- (U) Undercarriage
- (9) Unknown

CODES FOR VEHICLE NUMBER OR OBJECT CONTACTED

(01-30) — Vehicle Number

Noncollision

- (31) Overturn — rollover
- (32) Fire or explosion
- (33) Jackknife
- (34) Other intraunit damage (specify): _____

- (35) Noncollision injury
- (38) Other noncollision (specify): _____

- (39) Noncollision — details unknown

Collision With Fixed Object

- (41) Tree (≤ 10 cm in diameter)
- (42) Tree (> 10 cm in diameter)
- (43) Shrubbery or bush
- (44) Embankment
- (45) Breakaway pole or post (any diameter)

Nonbreakaway Pole or Post

- (50) Pole or post (≤ 10 cm in diameter)
- (51) Pole or post (> 10 cm but ≤ 30 cm in diameter)
- (52) Pole or post (> 30 cm in diameter)
- (53) Pole or post (diameter unknown)

- (54) Concrete traffic barrier
- (55) Impact attenuator
- (56) Other traffic barrier (includes guardrail) (specify): _____

- (57) Fence
- (58) Wall
- (59) Building
- (60) Ditch or culvert
- (61) Ground
- (62) Fire hydrant
- (63) Curb
- (64) Bridge
- (68) Other fixed object (specify): _____

- (69) Unknown fixed object

Collision with Nonfixed Object

- (71) Motor vehicle not in-transport
- (72) Pedestrian
- (73) Cyclist or cycle
- (74) Other nonmotorist or conveyance
- (75) Vehicle occupant
- (76) Animal
- (77) Train
- (78) Trailer, disconnected in transport
- (88) Other nonfixed object (specify): _____

- (89) Unknown nonfixed object

- (98) Other event (specify): _____

- (99) Unknown event or object

OCCUPANT RELATED

16. Driver Presence in Vehicle 1
 (0) Driver not present
 (1) Driver present
 (9) Unknown
17. Number of Occupants This Vehicle 01
 (00-96) Code actual number of occupants for this vehicle
 (97) 97 or more
 (99) Unknown
18. Number of Occupant Forms Submitted 01

24. Rollover 0
 (0) No rollover (no overturning)
- Rollover (primarily about the longitudinal axis)*
 (1) Rollover, 1 quarter turn only
 (2) Rollover, 2 quarter turns
 (3) Rollover, 3 quarter turns
 (4) Rollover, 4 or more quarter turns (specify):

- (5) Rollover--end-over-end (i.e., primarily about the lateral axis)
 (9) Rollover (overturn), details unknown

VEHICLE WEIGHT ITEMS

19. Vehicle Curb Weight 1420
 Code weight to nearest 10 kilograms. 1,420
 (045) Less than 450 kilograms
 (610) 6,100 kilograms or more
 (999) Unknown

_____ lbs X .4536 = _____ kgs

Source: _____

20. Vehicle Cargo Weight 0000
 Code weight to nearest 10 kilograms. 0,000
 (000) Less than 5 kilograms
 (450) 4,500 kilograms or more
 (999) Unknown

_____ lbs X .4536 = _____ kgs

OVERRIDE/UNDERRIDE (THIS VEHICLE)

25. Front Override/Underride (this Vehicle) 0
26. Rear Override/Underride (this Vehicle) 0
- (0) No override/underride, or not an end-to-end impact
- Override (see specific CDC)*
 (1) 1st CDC
 (2) 2nd CDC
 (3) Other not automated CDC (specify):

- Underride (see specific CDC)*
 (4) 1st CDC
 (5) 2nd CDC
 (6) Other not automated CDC (specify):

- (7) Medium/heavy truck or bus override
 (9) Unknown

RECONSTRUCTION DATA

21. Towed Trailing Unit 0
 (0) No towed unit
 (1) Yes--towed trailing unit
 (9) Unknown
22. Documentation of Trajectory Data for This Vehicle 0
 (0) No
 (1) Yes
23. Post Collision Condition of Tree or Pole (For Highest Delta V) 0
 (0) Not collision (for highest delta V) with tree or pole
 (1) Not damaged
 (2) Cracked/sheared
 (3) Tilted < 45 degrees
 (4) Tilted ≥ 45 degrees
 (5) Uprooted tree
 (6) Separated pole from base
 (7) Pole replaced
 (8) Other (specify):

 (9) Unknown

HEADING ANGLE AT IMPACT FOR HIGHEST DELTA V

Values: (000)-(359) Code actual value
 (997) Noncollision
 (998) Impact with object
 (999) Unknown

27. Heading Angle For This Vehicle 260
28. Heading Angle For Other Vehicle 082

OTHER DATA

56. Driver's Zip Code

- (00000) Driver not present
- (00001) Driver not a resident of U.S. or territories
Code actual 5-digit zip code
- (99999) Unknown

57. Driver's Race/Ethnic Origin

- (0) Driver not present
- (1) White (non-Hispanic)
- (2) Black (non-Hispanic)
- (3) White (Hispanic)
- (4) Black (Hispanic)
- (5) American Indian, Eskimo or Aleut
- (6) Asian or Pacific Islander
- (8) Other (specify):
- (9) Unknown

58. Vehicle Special Use (This Trip)

- (0) No special use
- (1) Taxi
- (2) Vehicle used as school bus
- (3) Vehicle used as other bus
- (4) Military
- (5) Police
- (6) Ambulance
- (7) Fire truck or car
- (8) Other (specify):
- (9) Unknown

ROLLOVER DATA

If GV07 (Body Type) ≠ 1-49, leave GV59-GV63 blank.
If GV24 (Rollover) = 0, then GV59-GV63 must equal 0.
If GV24 = 9, then GV59-GV63 must equal 9.

59. Rollover Initiation Type

- (0) No rollover
- (1) Trip-over
- (2) Flip-over
- (3) Turn-over
- (4) Climb-over
- (5) Fall-over
- (6) Bounce-over
- (7) Collision with another vehicle
- (8) Other rollover initiation type (specify):
- (9) Unknown rollover initiation type

60. Location of Rollover Initiation

- (0) No rollover
- (1) On roadway
- (2) On shoulder—paved
- (3) On shoulder—unpaved
- (4) On roadside or divided trafficway median
- (9) Unknown

61. Rollover Initiation Object Contacted

0 0

62. Location on Vehicle Where Initial Principal Tripping Force Is Applied

0

- (0) No rollover
- (1) Wheels/tires
- (2) Side plane
- (3) End plane
- (4) Undercarriage
- (5) Other location on vehicle (specify):

(8) Non-contact rollover forces (specify):

(9) Unknown

63. Direction of Initial Roll

0

- (0) No rollover
- (1) Roll right - primarily about the longitudinal axis
- (2) Roll left - primarily about the longitudinal axis

(5) End-over-end (i.e., primarily about the lateral axis)

(9) Unknown roll direction

PRECRASH DATA

64. Pre-Event Movement (Prior to Recognition of Critical Event)

1 3

- (01) Going straight
- (02) Slowing or stopping in traffic lane
- (03) Starting in traffic lane
- (04) Stopped in traffic lane
- (05) Passing or overtaking another vehicle
- (06) Disabled or parked in travel lane
- (07) Leaving a parking position
- (08) Entering a parking position
- (09) Turning right
- (10) Turning left
- (11) Making a U-turn
- (12) Backing up (other than for parking position)
- (13) Negotiating a curve
- (14) Changing lanes
- (15) Merging
- (16) Successful avoidance maneuver to a previous critical event
- (97) Other (specify):

(98) No driver present

(99) Unknown

CODES FOR ROLLOVER INITIATION OBJECT CONTACTED

- (00) No rollover
- (01-30) — Vehicle Number

Noncollision

- (31) Turn-over — fall-over
- (33) Jackknife

Collision With Fixed Object

- (41) Tree (≤ 10 cm in diameter)
- (42) Tree (> 10 cm in diameter)
- (43) Shrubbery or bush
- (44) Embankment

- (45) Breakaway pole or post (any diameter)

Nonbreakaway Pole or Post

- (50) Pole or post (≤ 10 cm in diameter)
- (51) Pole or post (> 10 cm but ≤ 30 cm in diameter)
- (52) Pole or post (> 30 cm in diameter)
- (53) Pole or post (diameter unknown)

- (54) Concrete traffic barrier
- (55) Impact attenuator
- (56) Other traffic barrier (includes guardrail)
(specify): _____

- (57) Fence
- (58) Wall
- (59) Building
- (60) Ditch or culvert
- (61) Ground
- (62) Fire hydrant
- (63) Curb
- (64) Bridge
- (68) Other fixed object (specify):

- (69) Unknown fixed object

Collision with Nonfixed Object

- (71) Motor vehicle not in-transport
- (76) Animal
- (77) Train
- (78) Trailer, disconnected in transport
- (88) Other nonfixed object (specify):

- (89) Unknown nonfixed object

- (98) Other event (specify):

- (99) Unknown event or object

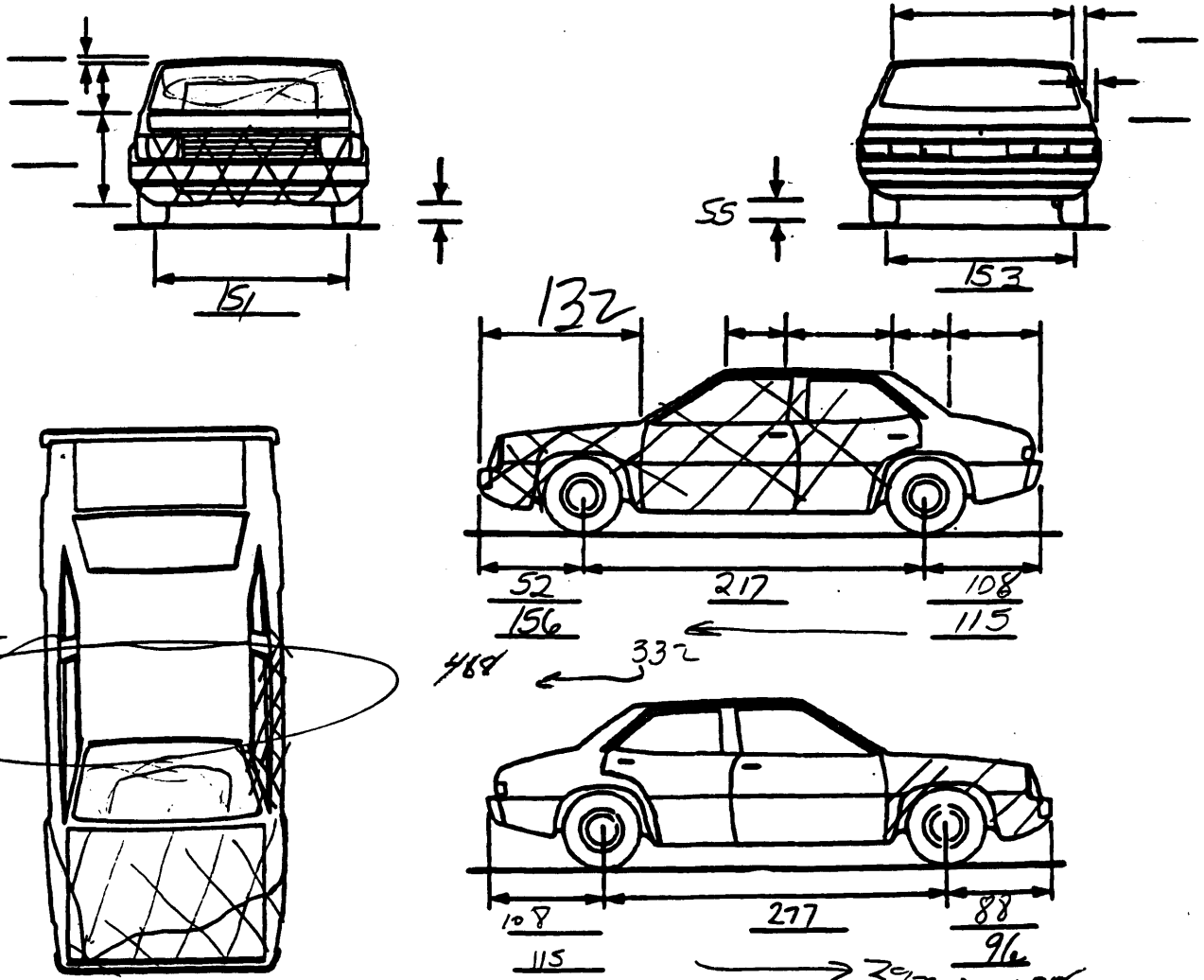
ORIGINAL SPECIFICATIONS WORK SHEET

Wheelbase	<u>106</u> . <u> </u>	inches	x 2.54	=	<u>269</u> cm
Overall Length	<u>192.2</u>	inches	x 2.54	=	<u>488</u> cm
Maximum Width	<u>70.8</u>	inches	x 2.54	=	<u>180</u> cm
Curb Weight	<u>3,131</u>	pounds	x .4536	=	<u>1,420</u> kg
Average Track	<u> </u> . <u> </u>	inches	x 2.54	=	<u> </u> cm
Front Overhang	<u> </u> . <u> </u>	inches	x 2.54	=	<u> </u> cm
Rear Overhang	<u> </u> . <u> </u>	inches	x 2.54	=	<u> </u> cm
Undeformed End Width	<u> </u> . <u> </u>	inches	x 2.54	=	<u> </u> cm
Engine Size: cyl./displ.	<u> </u> <u> </u>	cc	x .001	=	<u> </u> L
	<u> </u> <u> </u>	CID	x .0164	=	<u>3.0</u> L

VEHICLE DAMAGE SKETCH

<p>TIRE—WHEEL DAMAGE</p> <p>a. Rotation physically restricted</p> <p>RF <u>2</u> LF <u>1</u> RR <u>2</u> LR <u>2</u></p> <p>b. Tire deflated</p> <p>RF <u>2</u> LF <u>1</u> RR <u>2</u> LR <u>2</u></p> <p>(1) Yes (2) No (8) NA (9) Unk.</p>	<p>ORIGINAL SPECIFICATIONS</p> <p>Wheelbase <u>269</u> cm</p> <p>Overall Length <u>488</u> cm</p> <p>Maximum Width <u>180</u> cm</p> <p>Curb Weight <u>1420</u> kg</p> <p>Average Track <u>152</u> cm</p> <p>Front Overhang <u>104</u> cm</p> <p>Rear Overhang <u>115</u> cm</p> <p>Undeformed End Width <u>152</u> cm</p> <p>Engine Size: cyl./displ. <u>V-6 / 3.0 L</u></p>	<p>WHEEL STEER ANGLES (For locked front wheels or displaced rear axles only)</p> <p>RF ± <u>0</u> °</p> <p>LF ± <u>0</u> °</p> <p>RR ± <u>0</u> °</p> <p>LR ± <u>0</u> °</p> <p>Within ± 5 degrees</p>
<p>TYPE OF TRANSMISSION</p> <p><input type="checkbox"/> Manual <input checked="" type="checkbox"/> Automatic</p>	<p>DRIVE WHEELS</p> <p><input checked="" type="checkbox"/> FWD <input type="checkbox"/> RWD <input type="checkbox"/> 4WD</p> <p>Approximate Cargo Weight <u>0</u> kg</p>	

MEASUREMENTS IN CENTIMETERS



NOTES: Sketch new perimeter and cross hatch direct damage and single hatch induced damage on all views. Annotate observations which might be useful in reconstructing the accident (e.g., grass in the bead, direction of striations, scuff on sidewalls, etc.). If pulling trailer, sketch type of trailer and damage received on the back of this page.

Annotate any damage caused by extrication such as component removal by torching, prying, or hydraulic shears.



INTERIOR VEHICLE FORM

1. Primary Sampling Unit Number 11
 2. Case Number - Stratum 11 2A
 3. Vehicle Number 01

INTEGRITY

4. Passenger Compartment Integrity 98
 (00) No integrity loss

Yes, Integrity Was Lost Through

(01) Windshield
 (02) Door (side)
 (03) Door/hatch (back door)
 (04) Roof
 (05) Roof glass
 (06) Side window
 (07) Rear window (backlight)
 (08) Roof and roof glass
 (09) Windshield and door (side)
 (10) Windshield and roof
 (11) Side and rear window (side window and backlight)
 (12) Windshield and side window
 (13) Door and side window
 (98) Other combination of above (specify): Windshield
 (99) Unknown

Door, Tailgate or Hatch Opening

5. LF 3 6. RF 3 7. LR 3 8. RR 3 9. TG/H 0

(0) No door/gate/hatch
 (1) Door/gate/hatch remained closed and operational
 (2) Door/gate/hatch came open during collision
 (3) Door/gate/hatch jammed shut
 (8) Other (specify):
 (9) Unknown

Damage/Failure Associated with Door, Tailgate or Hatch Opening in Collision. If IV05-IV09 ≠ 2, Then code 0

10. LF 0 11. RF 0 12. LR 0 13. RR 0 14. TG/H 0

(0) No door/gate/hatch or door not opened

Door, Tailgate or Hatch Came Open During Collision

(1) Door operational (no damage)
 (2) Latch/striker failure due to damage
 (3) Hinge failure due to damage
 (4) Door structure failure due to damage
 (5) Door support (i.e., pillar, sill, roof side rail, etc.) failure due to damage
 (6) Latch/striker and hinge failure due to damage
 (8) Other failure (specify):
 (9) Unknown

GLAZING

Glazing Damage from Impact Forces

15. WS 3 16. LF 6 17. RF 0 18. LR 6 19. RR 0
 20. BL 0 21. Roof 8 22. Other 0

(0) No glazing damage from impact forces
 (2) Glazing in place and cracked from impact forces
 (3) Glazing in place and holed from impact forces
 (4) Glazing out-of-place (cracked or not) and not holed from impact forces
 (5) Glazing out-of-place and holed from impact forces
 (6) Glazing disintegrated from impact forces
 (7) Glazing removed prior to accident
 (8) No glazing
 (9) Unknown if damaged

Glazing Damage from Occupant Contact

23. WS 9 24. LF 0 25. RF 0 26. LR 0 27. RR 0
 28. BL 0 29. Roof 0 30. Other 0

(0) No occupant contact to glazing or no glazing
 (1) Glazing contacted by occupant but no glazing damage
 (2) Glazing in place and cracked by occupant contact
 (3) Glazing in place and holed by occupant contact
 (4) Glazing out-of-place (cracked or not) by occupant contact and not holed by occupant contact
 (5) Glazing out-of-place by occupant contact and holed by occupant contact
 (6) Glazing disintegrated by occupant contact
 (9) Unknown if contacted by occupant

If No Glazing Damage *And* No Occupant Contact or No Glazing, Then Code IV31 Through IV46 As 0

Type of Window/Windshield Glazing

31. WS 1 32. LF 2 33. RF 0 34. LR 2 35. RR 0
 36. BL 0 37. Roof 0 38. Other 0

(0) No glazing contact and no damage, or no glazing
 (1) AS-1 - Laminated
 (2) AS-2 - Tempered
 (3) AS-3 - Tempered-tinted
 (4) AS-14 - Glass/Plastic
 (8) Other (specify): AS-2
 (9) Unknown

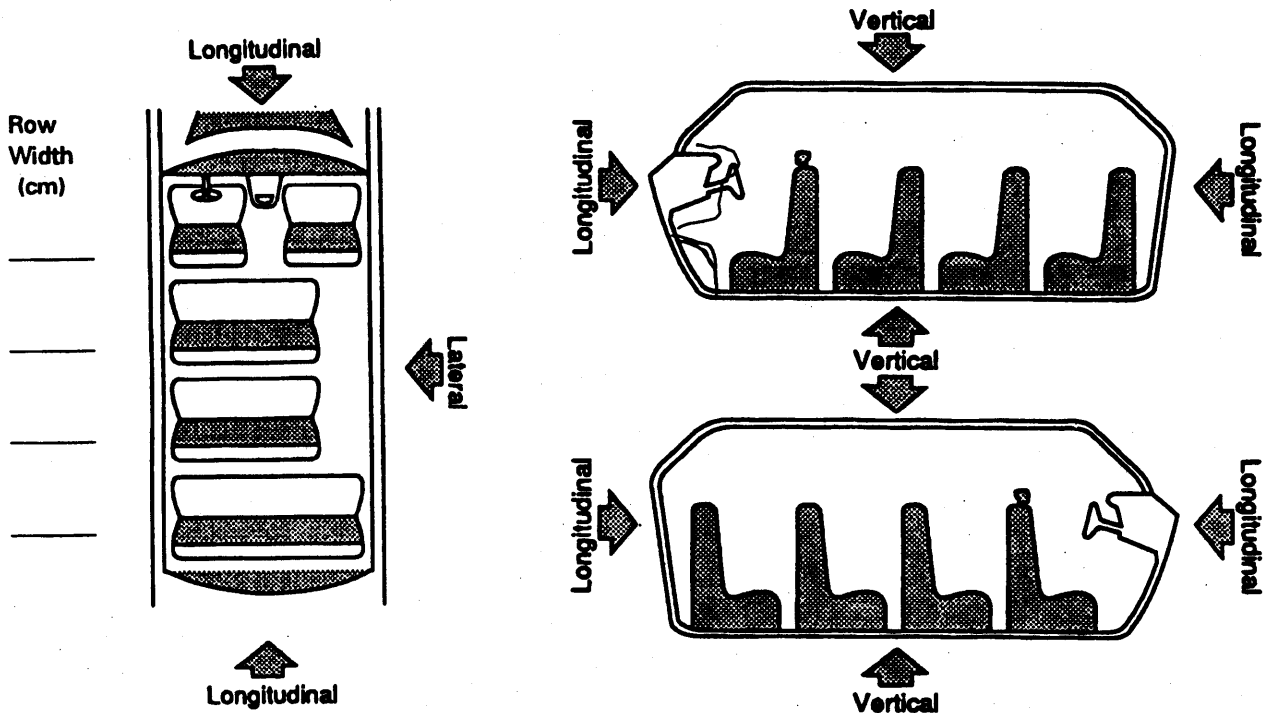
Window Precrash Glazing Status

39. WS 1 40. LF 2 41. RR 0 42. LR 2 43. RR 0
 44. BL 0 45. Roof 0 46. Other 0

(0) No glazing contact and no damage, or no glazing
 (1) Fixed
 (2) Closed
 (3) Partially opened
 (4) Fully opened
 (9) Unknown

INTRUSION WORKSHEET

Note: Sketch intruded areas



LOCATION OF INTRUSION	INTRUDED COMPONENT	(All Measurements Are In Centimeters)			DOMINANT CRUSH DIRECTION
		COMPARISON VALUE	INTRUDED VALUE	INTRUSION	
11	Toe pan	90	68	= 22	LONG
		-		=	
		-		=	
		-		=	
		-		=	
		-		=	
		-		=	
		-		=	
		-		=	
		-		=	
		-		=	
		-		=	
		-		=	
		-		=	
		-		=	

OCCUPANT AREA INTRUSION

Note: If no intrusions, leave variables IV47-IV86 blank.

	Location of Intrusion	Intruding Component	Magnitude of Intrusion	Dominant Crush Direction
1st	47. <u>11</u>	48. <u>05</u>	49. <u>3</u>	50. <u>2</u>
2nd	51. <u>99</u>	52. <u>99</u>	53. <u>9</u>	54. <u>9</u>
3rd	55. _____	56. _____	57. ^{2nd Review} _____	58. _____
4th	59. _____	60. _____	61. _____	62. _____
5th	63. _____	64. _____	65. _____	66. _____
6th	67. _____	68. _____	69. _____	70. _____
7th	71. _____	72. _____	73. _____	74. _____
8th	75. _____	76. _____	77. _____	78. _____
9th	79. _____	80. _____	81. _____	82. _____
10th	83. _____	84. _____	85. _____	86. _____

INTRUDING COMPONENT

Interior Components

- (01) Steering assembly
- (02) Instrument panel left
- (03) Instrument panel center
- (04) Instrument panel right
- (05) Toe pan
- (06) A (A1/A2)-pillar
- (07) B-pillar
- (08) C-pillar
- (09) D-pillar
- (10) Door panel (side)
- (12) Roof (or convertible top)
- (13) Roof side rail
- (14) Windshield
- (15) Windshield header
- (16) Window frame
- (17) Floor pan (includes sill)
- (18) Backlight header
- (19) Front seat back
- (20) Second seat back
- (21) Third seat back
- (22) Fourth seat back
- (23) Fifth seat back
- (24) Seat cushion
- (25) Back door/panel (e.g., tailgate)
- (26) Other interior component (specify): _____

- (27) Side panel - forward of the A (A2)-pillar
- (28) Side panel - rear of the A (A2)-pillar

Exterior Components

- (30) Hood
- (31) Outside surface of this vehicle (specify): _____
- (32) Other exterior object in the environment (specify): _____
- (33) Unknown exterior object
- (97) Catastrophic
- (98) Intrusion of unlisted component(s) (specify): _____
- (99) Unknown

LOCATION OF INTRUSION

- Front Seat
- (11) Left
 - (12) Middle
 - (13) Right

- Fourth Seat
- (41) Left
 - (42) Middle
 - (43) Right

- Second Seat
- (21) Left
 - (22) Middle
 - (23) Right

- (97) Catastrophic
- (98) Other enclosed area (specify) _____

- Third Seat
- (31) Left
 - (32) Middle
 - (33) Right

- (99) Unknown

MAGNITUDE OF INTRUSION

- (1) ≥ 3 centimeters but < 8 centimeters
- (2) ≥ 8 centimeters but < 15 centimeters
- (3) ≥ 15 centimeters but < 30 centimeters
- (4) ≥ 30 centimeters but < 46 centimeters
- (5) ≥ 46 centimeters but < 61 centimeters
- (6) ≥ 61 centimeters
- (7) Catastrophic
- (9) Unknown

DOMINANT CRUSH DIRECTION

- (1) Vertical
- (2) Longitudinal
- (3) Lateral
- (7) Catastrophic
- (9) Unknown

STEERING RIM/SPOKE DEFORMATION

(All Measurements Are in Centimeters)

COMPARISON VALUE	—	DAMAGE VALUE	=	DEFORMATION
------------------	---	--------------	---	-------------

	—		=	
	—		=	
	—		=	
	—		=	

STEERING COLUMN

87. Steering Column Type

- (1) Fixed column
- (2) Tilt column
- (3) Telescoping column
- (4) Tilt and telescoping column
- (8) Other column type (specify): _____
- (9) Unknown

2

88. Blank

(This variable is left blank so that numbering consistency can be maintained with the 1988-93 CDS.)

X X

89. Blank

(This variable is left blank so that numbering consistency can be maintained with the 1988-93 CDS.)

X X X

90. Blank

(This variable is left blank so that numbering consistency can be maintained with the 1988-93 CDS.)

X X X

91. Blank

(This variable is left blank so that numbering consistency can be maintained with the 1988-93 CDS.)

X X X

92. Steering Rim/Spoke Deformation

- Code actual measured
- deformation to the nearest centimeter
- (00) No steering rim deformation
- (01-14) Actual measured value in centimeters
- (15) 15 centimeters or more
- (98) Observed deformation cannot be measured
- (99) Unknown

15

93. Location of Steering Rim/Spoke Deformation

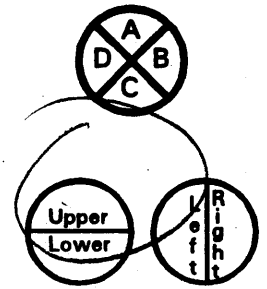
(00) No steering rim deformation

Quarter Sections

- (01) Section A
- (02) Section B
- (03) Section C
- (04) Section D

Half Sections

- (05) Upper half of rim/spoke
- (06) Lower half of rim/spoke
- (07) Left half of rim/spoke
- (08) Right half of rim/spoke



05

- (09) Complete steering wheel collapse
- (10) Undetermined location
- (99) Unknown

INSTRUMENT PANEL

94. Odometer Reading

034,000

34,050 kilometers—Code to the nearest 1,000 kilometers

- (000) No odometer
- (001) Less than 1,500 kilometers
- (500) 499,500 kilometers or more
- (999) Unknown

21,158 miles X 1.6093 = 34,050 kilometers

Source: [Redacted] 1/93

95. Instrument Panel Damage from Occupant Contact?

- (0) No
- (1) Yes
- (9) Unknown

1

96. Knee Bolsters Deformed from Occupant Contact?

- (0) No
- (1) Yes
- (8) Not present
- (9) Unknown

0

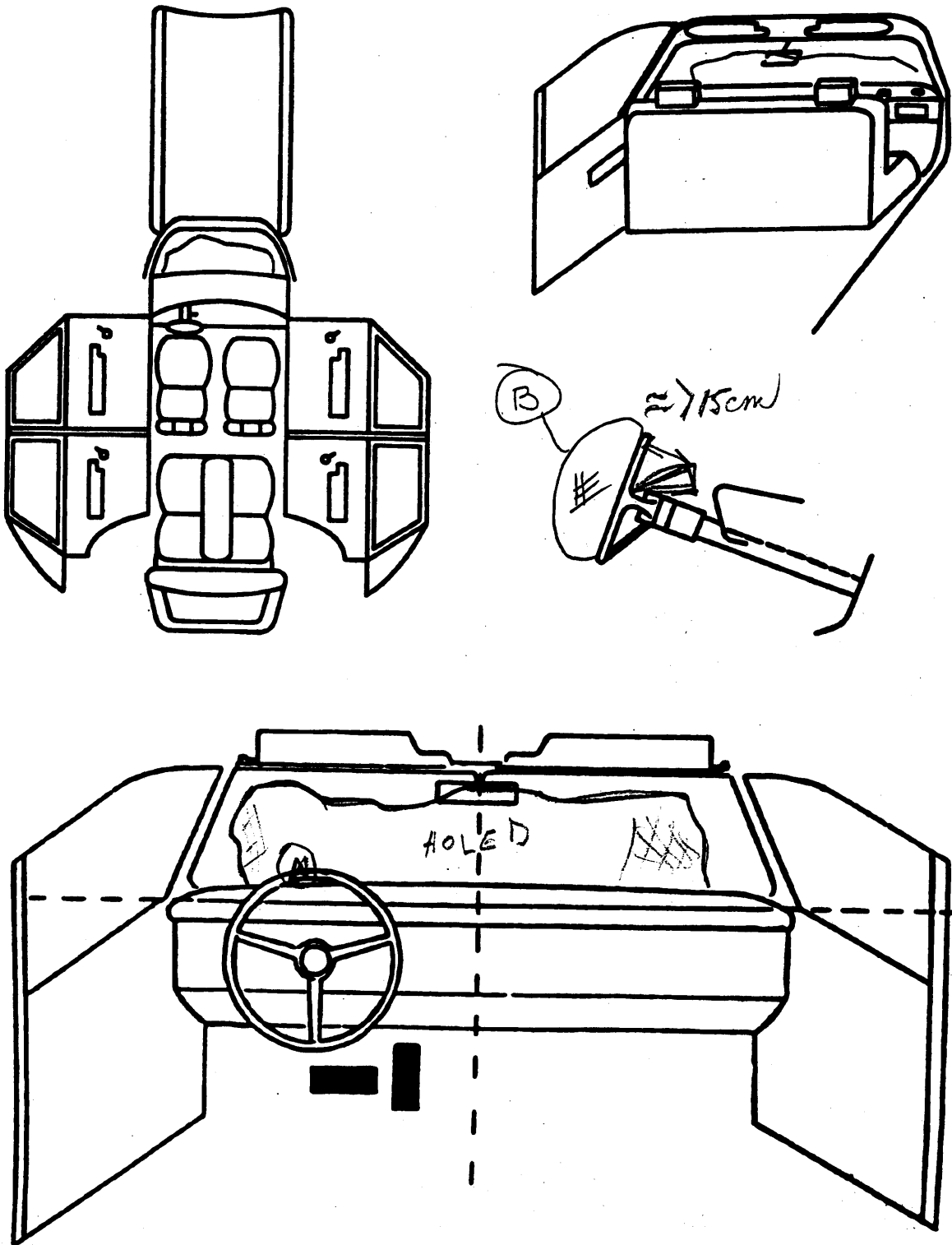
97. Did Glove Compartment Door Open During Collision(s)?

- (0) No
- (1) Yes
- (8) Not present
- (9) Unknown

0

VEHICLE INTERIOR SKETCHES

Note area of ejection/entrapment



Sketch windshield contact(s) and the damaged area(s) on the instrument panel outline (e.g., radio, glove compartment, damage to instrument panel structure).
 Cross hatch contact points, draw spider webs or use other annotation as may be appropriate.
 Annotate the contacted area with a letter (begin with A) and list on the Points of Occupant Contact page.

POINTS OF OCCUPANT CONTACT

Contact	Interior Component Contacted	Occupant No. If Known	Body Region If Known	Supporting Physical Evidence	Confidence Level of Contact Point
A	04	1	U.TORSO	Rim bent	1
B	45	1	U.TORSO	BLOOD OCC.TRAJECTORY	1
C					
D					
E					
F					
G					
H					
I					
J					
K					
L					
M					
N					

CODES FOR INTERIOR COMPONENTS

FRONT

- (01) Windshield
- (02) Mirror
- (03) Sunvisor
- (04) Steering wheel rim
- (05) Steering wheel hub/spoke
- (06) Steering wheel (combination of codes 04 and 05)
- (07) Steering column, transmission selector lever, other attachment
- (08) Add on equipment (e.g., CB, tape deck, air conditioner)
- (09) Left instrument panel and below
- (10) Center instrument panel and below
- (11) Right instrument panel and below
- (12) Glove compartment door
- (13) Knee bolster
- (14) Windshield including one or more of the following: front header, A (A1/A2)-pillar, instrument panel, mirror, or steering assembly (driver side only)
- (15) Windshield including one or more of the following: front header, A (A1/A2)-pillar, instrument panel, or mirror (passenger side only)
- (16) Driver side air bag compartment cover
- (17) Passenger side air bag compartment cover
- (18) Windshield reinforced by exterior object (specify): _____
- (19) Other front object (specify): _____

LEFT SIDE

- (20) Left side interior surface, excluding hardware or armrests
- (21) Left side hardware or armrest
- (22) Left A (A1/A2)-pillar

- (23) Left B-pillar
 - (24) Other left pillar (specify): _____
 - (25) Left side window glass or frame
 - (26) Left side window glass including one or more of the following: frame, window sill, A (A1/A2)-pillar, B-pillar, or roof side rail.
 - (27) Other left side object (specify): _____
 - (28) Left side window sill
- RIGHT SIDE**
- (30) Right side interior surface, excluding hardware or armrests
 - (31) Right side hardware or armrest
 - (32) Right A (A1/A2)-pillar
 - (33) Right B-pillar
 - (34) Other right pillar (specify): _____
 - (35) Right side window glass or frame
 - (36) Right side window glass including one or more of the following: frame, window sill, A (A1/A2)-pillar, B pillar, or roof side rail.
 - (37) Other right side object (specify): _____
 - (38) Right side window sill

INTERIOR

- (40) Seat, back support
- (41) Belt restraint webbing/buckle
- (42) Belt restraint B-pillar attachment point
- (43) Other restraint system component (specify): _____
- (44) Head restraint system
- (45) Air bag (use codes "16" and "17" for injuries sustained from air bag compartment covers)

- (46) Other occupants (specify): _____
- (47) Interior loose objects
- (48) Child safety seat (specify): _____
- (49) Other interior object (specify): _____

ROOF

- (50) Front header
- (51) Rear header
- (52) Roof left side rail
- (53) Roof right side rail
- (54) Roof or convertible top

FLOOR

- (56) Floor (including toe pan)
- (57) Floor or console mounted transmission lever, including console
- (58) Parking brake handle
- (59) Foot controls including parking brake

REAR

- (60) Backlight (rear window)
- (61) Backlight storage rack, door, etc.
- (62) Other rear object (specify): _____

CONFIDENCE LEVEL OF CONTACT POINT

- (1) Certain
- (2) Probable
- (3) Possible
- (9) Unknown

MANUAL RESTRAINTS

NOTES: Encode the applicable data for each seat position in the vehicle. The attribute for the variable may be found below. Restraint systems should be assessed during the vehicle inspection then coded on the Occupant Assessment Form.

If a Child safety seat is present, encode the data on the back of this page.

If the vehicle has automatic restraints available, encode the appropriate data on the back of the previous page.

		Left	Center	Right
FIRST	Availability	4	3	4
	Use	04	60	00
	Failure Modes	0	0	0
SECOND	Availability	4	3	4
	Use	00	00	00
	Failure Modes	0	0	0
THIRD	Availability			
	Use			
	Failure Modes			
OTHER	Availability			
	Use			
	Failure Modes			

Manual (Active) Belt System Availability

- (0) None available
- (1) Belt removed/destroyed
- (2) Shoulder belt
- (3) Lap belt
- (4) Lap and shoulder belt
- (5) Belt available - type unknown

Integral Belt Partially Destroyed

- (6) Shoulder belt (lap belt destroyed/removed)
- (7) Lap belt (shoulder belt destroyed/removed)

(8) Other belt (specify): _____

(9) Unknown _____

Manual (Active) Belt System Use

- (00) None used, not available, or belt removed/destroyed
- (01) Inoperable (specify): _____
- (02) Shoulder belt
- (03) Lap belt
- (04) Lap and shoulder belt
- (05) Belt used - type unknown

(08) Other belt used (specify): _____

- (12) Shoulder belt used with child safety seat
- (13) Lap belt used with child safety seat
- (14) Lap and shoulder belt used with child safety seat
- (15) Belt used with child safety seat - type unknown
- (18) Other belt used with child safety seat (specify): _____
- (99) Unknown if belt used

Manual (Active) Belt Failure Modes During Accident

- (0) No manual belt used or not available
- (1) No manual belt failure(s)
- (2) Torn webbing (stretched webbing not included)
- (3) Broken buckle or latchplate
- (4) Upper anchorage separated
- (5) Other anchorage separated (specify): _____
- (6) Broken retractor
- (7) Combination of above (specify): _____
- (8) Other manual belt failure (specify): _____
- (9) Unknown _____

CHILD SAFETY SEAT FIELD ASSESSMENT

When a child safety seat is present enter the occupant's number in the first row and complete the column below the occupant's number using the codes listed below. Complete a column for each child safety seat present.

Occupant Number						
1. Type of Child Safety Seat						
2. Child Safety Seat Orientation						
3. Child Safety Seat Harness Usage						
4. Child Safety Seat Shield Usage						
5. Child Safety Seat Tether Usage						
6. Child Safety Seat Make/Model	Specify Below for Each Child Safety Seat					

1. Type of Child Safety Seat

- (0) No child safety seat
- (1) Infant seat
- (2) Toddler seat
- (3) Convertible seat
- (4) Booster seat
- (7) Other type child safety seat (specify): _____
- (8) Unknown child safety seat type
- (9) Unknown if child safety seat used

2. Child Safety Seat Orientation

- (00) No child safety seat
- Designed for Rear Facing for This Age/Weight
- (01) Rear facing
- (02) Forward facing
- (08) Other orientation (specify): _____
- (09) Unknown orientation

- Designed for Forward Facing for This Age/Weight
- (11) Rear facing
- (12) Forward facing
- (18) Other orientation (specify): _____
- (19) Unknown orientation

- Unknown Design or Orientation For This Age/Weight, or Unknown Age/Weight
- (21) Rear facing
- (22) Forward facing
- (28) Other orientation (specify): _____
- (29) Unknown orientation
- (99) Unknown if child safety seat used

3. Child Safety Seat Harness Usage

- 4. Child Safety Seat Shield Usage**
- 5. Child Safety Seat Tether Usage**
Note: Options Below Are Used for Variables 3-5.
- (00) No child safety seat
- Not Designed with Harness/Shield/Tether
- (01) After market harness/shield/tether added, not used
- (02) After market harness/shield/tether used
- (03) Child safety seat used, but no after market harness/shield/tether added
- (09) Unknown if harness/shield/tether added or used
- Designed With Harness/Shield/Tether
- (11) Harness/shield/tether not used
- (12) Harness/shield/tether used
- (19) Unknown if harness/shield/tether used

- Unknown If Designed With Harness/Shield/Tether
- (21) Harness/shield/tether not used
- (22) Harness/shield/tether used
- (29) Unknown if harness/shield/tether used
- (99) Unknown if child safety seat used

6. Child Safety Seat Make/Model (Specify make/model and occupant number)

HEAD RESTRAINTS/SEAT EVALUATION

NOTES: Encode the applicable data for each seat position in the vehicle. The attribute for these variables may be found at the bottom of the page. Head restraint type/damage and seat type/performance should be assessed during the vehicle inspection then coded on the Occupant Assessment Form.

		Left	Center	Right
FIRST	Head Restraint Type/Damage	3	0	3
	Seat Type	06	06	06
	Seat Performance	6	6	1
	Seat Orientation	1	1	1
SECOND	Head Restraint Type/Damage	3	0	3
	Seat Type	04	04	04
	Seat Performance	1	1	1
	Seat Orientation	1	1	1
THIRD	Head Restraint Type/Damage			
	Seat Type			
	Seat Performance			
	Seat Orientation			
OTHER	Head Restraint Type/Damage			
	Seat Type			
	Seat Performance			
	Seat Orientation			

Head Restraint Type/Damage by Occupant at This Occupant Position

- (0) No head restraints
- (1) Integral — no damage
- (2) Integral — damaged during accident
- (3) Adjustable — no damage
- (4) Adjustable — damaged during accident
- (5) Add-on — no damage
- (6) Add-on — damaged during accident
- (8) Other Specify: _____

(9) Unknown

Seat Type (this Occupant Position)

- (00) Occupant not seated or no seat
- (01) Bucket
- (02) Bucket with folding back
- (03) Bench
- (04) Bench with separate back cushions
- (05) Bench with folding back(s)
- (06) Split bench with separate back cushions
- (07) Split bench with folding back(s)
- (08) Pedestal (i.e., column supported)
- (09) Other seat type (specify): _____

(10) Box mounted seat (i.e., van type)
 (99) Unknown

Seat Performance (this Occupant Position)

- (0) Occupant not seated or no seat
- (1) No seat performance failure(s)
- (2) Seat adjusters failed
- (3) Seat back folding locks or "seat back" failed specify: _____
- (4) Seat tracks/anchors failed
- (5) Deformed by impact of occupant
- (6) Deformed by passenger compartment intrusion (specify) dash / top

(7) Combination of/above (specify): _____

(8) Other (specify): _____

(9) Unknown

Seat Orientation (this Occupant Position)

- (0) Occupant not seated or no seat
- (1) Forward facing seat
- (2) Rear facing seat
- (3) Side facing seat (inward)
- (4) Side facing seat (outward)
- (8) Other (specify): _____

(9) Unknown

DESCRIBE ANY INDICATION OF ABNORMAL OCCUPANT POSTURE (I.E., UNUSUAL OCCUPANT CONTACT PATTERN)

EJECTION/ENTRAPMENT DATA

Complete the following if the researcher has any indication that an occupant was either ejected from or entrapped in the vehicle. Code the appropriate data on the Occupant Assessment Form.

EJECTION No Yes []

Describe indications of ejection and body parts involved in partial ejection(s):

Occupant Number						
Ejection						
(Note on Vehicle Interior Sketch) Ejection Area						
Ejection Medium						
Medium Status						

Ejection

- (1) Complete ejection
- (1) Partial ejection
- (3) Ejection, Unknown degree
- (9) Unknown

Ejection Area

- (1) Windshield
- (2) Left front
- (3) Right front
- (4) Left rear
- (5) Right rear
- (6) Rear

(7) Roof

(8) Other area (e.g., back of pickup, etc.) (specify): _____

(9) Unknown

Ejection Medium

- (1) Door/hatch/tailgate
- (2) Nonfixed roof structure
- (3) Fixed glazing
- (4) Nonfixed glazing (specify): _____

(5) Integral structure

(8) Other medium (specify): _____

(9) Unknown

Medium Status (Immediately Prior to Impact)

- (1) Open
- (2) Closed
- (3) Integral structure
- (9) Unknown

ENTRAPMENT No Yes []

Describe entrapment mechanism: _____

Component(s): _____

(Note in vehicle interior diagram)

National Accident Sampling System-Crashworthiness Data System: Occupant Assessment Form

HEAD RESTRAINT AND SEAT EVALUATION

25. Head Restraint Type/Damage by Occupant at This Occupant Position

3

- (0) No head restraints
- (1) Integral—no damage
- (2) Integral—damaged during accident
- (3) Adjustable—no damage
- (4) Adjustable—damaged during accident
- (5) Add-on—no damage
- (6) Add-on—damaged during accident
- (8) Other (specify):

- (9) Unknown

26. Seat Type (this Occupant Position)

06

- (00) Occupant not seated or no seat
- (01) Bucket
- (02) Bucket with folding back
- (03) Bench
- (04) Bench with separate back cushions
- (05) Bench with folding back(s)
- (06) Split bench with separate back cushions
- (07) Split bench with folding back(s)
- (08) Pedestal (i.e., column supported)
- (09) Other seat type (specify):

- (10) Box mounted seat (i.e., van type)
- (99) Unknown

27. Seat Performance (this Occupant Position)

6

- (0) Occupant not seated or no seat
- (1) No seat performance failure(s)
- (2) Seat adjusters failed
- (3) Seat back folding locks or "seat back" failed
- (4) Seat track/anchors failed
- (5) Deformed by impact of occupant
- (6) Deformed by passenger compartment intrusion (specify): Door / Floor Pan

- (7) Combination of above (specify):

- (8) Other (specify):

- (9) Unknown



OCCUPANT INJURY FORM

NATIONAL ACCIDENT SAMPLING SYSTEM
CRASHWORTHINESS DATA SYSTEM

1. Primary Sampling Unit Number <u>11</u>	3. Vehicle Number <u>01</u>
2. Case Number - Stratum <u>112A</u>	4. Occupant Number <u>01</u>

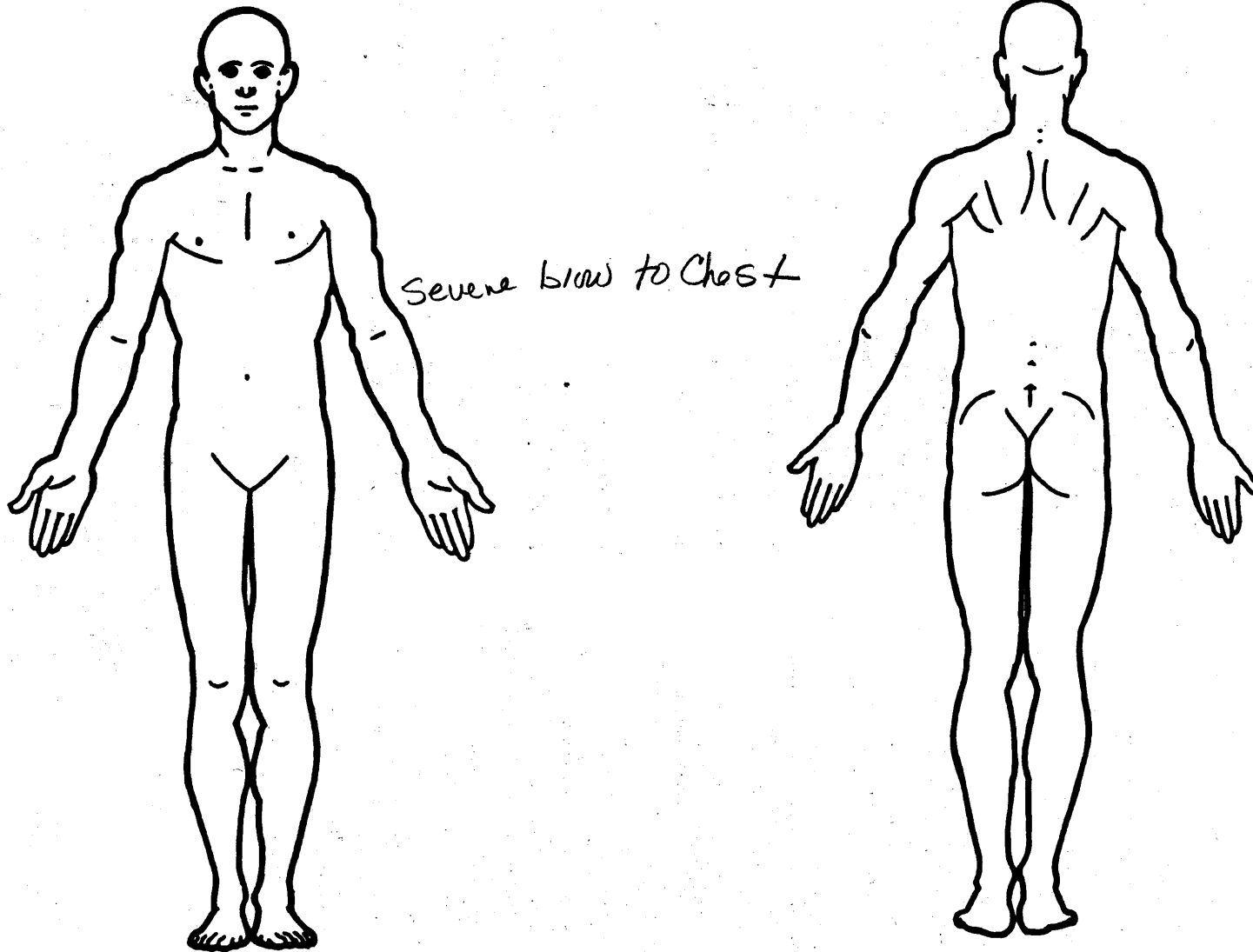
INJURY DATA

Record below the actual injuries sustained by this occupant that were identified from the official and unofficial data sources. Remember not to double count an injury just because it was identified from two different sources. If greater than ten injuries have been documented, encode the balance on the Occupant Injury Supplement.

Source of Injury Data	O.I.C.-A.I.S.							Injury Source	Injury Confidence Level	Direct/Indirect Injury	Occupant Area Intrusion Number
	Body Region	Type of Anatomic Structure	Specific Anatomic Structure	Level of Injury	A.I.S. Severity	Aspect	Injury Source				
<i>R Torso 1st</i>	5. <u>2</u>	6. <u>8</u>	7. <u>5</u>	8. <u>18</u>	9. <u>00</u>	10. <u>3</u>	11. <u>1</u>	12. <u>09</u>	13. <u>1</u>	14. <u>1</u>	15. <u>00</u>
<i>L Torso 2nd</i>	16. <u>2</u>	17. <u>8</u>	18. <u>5</u>	19. <u>18</u>	20. <u>00</u>	21. <u>3</u>	22. <u>2</u>	23. <u>09</u>	24. <u>1</u>	25. <u>1</u>	26. <u>00</u>
<i>CHI</i>	27. <u>2</u>	28. <u>1</u>	29. <u>1</u>	30. <u>50</u>	31. <u>99</u>	32. <u>7</u>	33. <u>4</u>	34. <u>73</u>	35. <u>2</u>	36. <u>1</u>	37. <u>00</u>
<i>R Leg</i>	38. <u>2</u>	39. <u>8</u>	40. <u>5</u>	41. <u>16</u>	42. <u>05</u>	43. <u>2</u>	44. <u>1</u>	45. <u>56</u>	46. <u>1</u>	47. <u>1</u>	48. <u>01</u>
<i>L Leg</i>	49. <u>2</u>	50. <u>8</u>	51. <u>5</u>	52. <u>16</u>	53. <u>05</u>	54. <u>2</u>	55. <u>2</u>	56. <u>56</u>	57. <u>1</u>	58. <u>1</u>	59. <u>01</u>
<i>Chest cont</i>	60. <u>7</u>	61. <u>4</u>	62. <u>9</u>	63. <u>04</u>	64. <u>02</u>	65. <u>1</u>	66. <u>9</u>	67. <u>45</u>	68. <u>2</u>	69. <u>1</u>	70. <u>00</u>
<i>Chest loc</i>	71. <u>7</u>	72. <u>4</u>	73. <u>9</u>	74. <u>06</u>	75. <u>02</u>	76. <u>1</u>	77. <u>2</u>	78. <u>16</u>	79. <u>3</u>	80. <u>1</u>	81. <u>00</u>
<i>HH upper</i>	82. <u>7</u>	83. <u>7</u>	84. <u>5</u>	85. <u>20</u>	86. <u>02</u>	87. <u>2</u>	88. <u>1</u>	89. <u>09</u>	90. <u>2</u>	91. <u>1</u>	92. <u>00</u>
9th	93. ___	94. ___	95. ___	96. ___	97. ___	98. ___	99. ___	100. ___	101. ___	102. ___	103. ___
10th	104. ___	105. ___	106. ___	107. ___	108. ___	109. ___	110. ___	111. ___	112. ___	113. ___	114. ___

OFFICIAL INJURY DATA — SOFT TISSUE INJURIES

Indicate the Location, Specific Anatomic Structure, Detail (size, depth, fracture type, head injury clinical signs and neurological deficits), and Source of all injuries indicated by official sources (or from PAR or other unofficial sources if medical records and interviewee data are unavailable.)



SOURCE OF INJURY DATA

OFFICIAL

- (1) Autopsy records with or without hospital/ medical records
- (2) Hospital/medical records other than emergency room (e.g., discharge summary)
- (3) Emergency room records only (including associated X-rays or other lab reports)
- (4) Private physician, walk-in or emergency clinic

UNOFFICIAL

- (5) Lay coroner report
- (6) E.M.S. personnel
- (7) Interviewee
- (8) Other source (specify): _____
- (9) Police

INJURY SOURCE

FRONT

- (01) Windshield
- (02) Mirror
- (03) Sunvisor
- (04) Steering wheel rim
- (05) Steering wheel hub/spoke
- (06) Steering wheel (combination of codes 04 and 05)
- (07) Steering column, transmission selector lever, other attachment
- (08) Add on equipment (e.g., CB, tape deck, air conditioner)
- (09) Left instrument panel and below
- (10) Center instrument panel and below
- (11) Right instrument panel and below
- (12) Glove compartment door
- (13) Knee bolster
- (14) Windshield including one or more of the following: front header, A (A1/A2)-pillar, instrument panel, mirror, or steering assembly (driver side only)
- (15) Windshield including one or more of the following: front header, A (A1/A2)-pillar, instrument panel, or mirror (passenger side only)
- (16) Driver side air bag compartment cover
- (17) Passenger side air bag compartment cover
- (18) Windshield reinforced by exterior object (specify): _____
- (19) Other front object (specify): _____

LEFT SIDE

- (20) Left side interior surface, excluding hardware or armrests
- (21) Left side hardware or armrest
- (22) Left A (A1/A2)-pillar
- (23) Left B-pillar
- (24) Other left pillar (specify): _____

- (25) Left side window glass or frame
- (26) Left side window glass including one or more of the following: frame, window sill, A (A1/A2)-pillar, B-pillar, or roof side rail.
- (27) Other left side object (specify): _____

- (28) Left side window sill

RIGHT SIDE

- (30) Right side interior surface, excluding hardware or armrests
- (31) Right side hardware or armrest
- (32) Right A (A1/A2)-pillar
- (33) Right B-pillar
- (34) Other right pillar (specify): _____

- (35) Right side window glass or frame
- (36) Right side window glass including one or more of the following: frame, window sill, A (A1/A2)-pillar, B-pillar, or roof side rail.
- (37) Other right side object (specify): _____

- (38) Right side window sill

INTERIOR

- (40) Seat, back support
- (41) Belt restraint webbing/buckle
- (42) Belt restraint B-pillar or door frame attachment point
- (43) Other restraint system component (specify): _____
- (44) Head restraint system
- (45) Air bag (use codes "16" and "17" for injuries sustained from air bag compartment covers)
- (46) Other occupants (specify): _____
- (47) Interior loose objects
- (48) Child safety seat (specify): _____
- (49) Other interior object (specify): _____

ROOF

- (50) Front header
- (51) Rear header
- (52) Roof left side rail
- (53) Roof right side rail
- (54) Roof or convertible top

FLOOR

- (56) Floor (including toe pan)
- (57) Floor or console mounted transmission lever, including console
- (58) Parking brake handle
- (59) Foot controls including parking brake

REAR

- (60) Backlight (rear window)

- (61) Backlight storage rack, door, etc.
- (62) Other rear object (specify): _____

EXTERIOR of OCCUPANT'S VEHICLE

- (65) Hood
- (66) Outside hardware (e.g., outside mirror, antenna)
- (67) Other exterior surface or tires (specify): _____
- (68) Unknown exterior objects

EXTERIOR of OTHER MOTOR VEHICLE

- (70) Front bumper
- (71) Hood edge
- (72) Other front of vehicle (specify): _____
- (73) Hood
- (74) Hood ornament
- (75) Windshield, roof rail, A-pillar
- (76) Side surface
- (77) Side mirrors
- (78) Other side protrusions (specify)

- (79) Rear surface
- (80) Undercarriage
- (81) Tires and wheels
- (82) Other exterior of other motor vehicle (specify): _____

- (83) Unknown exterior of other motor vehicle

OTHER VEHICLE OR OBJECT IN THE ENVIRONMENT

- (84) Ground
- (85) Other vehicle or object (specify): _____
- (86) Unknown vehicle or object

NONCONTACT INJURY

- (90) Fire in vehicle
- (91) Flying glass
- (92) Other noncontact injury source (specify): _____
- (93) Air bag exhaust gases
- (97) Injured, unknown source

INJURY SOURCE CONFIDENCE LEVEL

- (1) Certain
- (2) Probable
- (3) Possible
- (9) Unknown

DIRECT/INDIRECT INJURY

- (1) Direct contact injury
- (2) Indirect contact injury
- (3) Noncontact injury
- (7) Injured, unknown source

OCCUPANT INJURY CLASSIFICATION

Body Region

- (1) Head
- (2) Face
- (3) Neck
- (4) Thorax
- (5) Abdomen
- (6) Spine
- (7) Upper Extremity
- (8) Lower Extremity
- (9) Unspecified

Type of Anatomic Structure

- (1) Whole Area
- (2) Vessels
- (3) Nerves
- (4) Organs (includes muscles/ ligaments)
- (5) Skeletal (includes joints)
- (8) Head - LOC
- (9) Skin

Specific Anatomic Structure

Whole Area

- (02) Skin - Abrasion
- (04) Skin - Contusion
- (08) Skin - Laceration
- (08) Skin - Avulsion
- (10) Amputation
- (20) Burn
- (30) Crush
- (40) Degloving
- (50) Injury - NFS
- (90) Trauma, other than mechanical

Head - LOC

- (02) Length of LOC
- (04, 06, 08) Level of Consciousness
- (10) Concussion

Spine

- (02) Cervical
- (04) Thoracic
- (06) Lumbar

Vessels, Nerves, Organs, Bones, Joints are assigned consecutive two digit numbers beginning with 02

Level of Injury

Specific injuries are assigned consecutive two-digit numbers beginning with 02.

To the extent possible, within the organizational framework of the AIS, 00 is assigned to an injury NFS as to severity or where only one injury is given in the dictionary for that anatomic structure. 99 is assigned to any injury NFS as to lesion or severity.

Abbreviated Injury Scale

- (1) Minor injury
- (2) Moderate injury
- (3) Serious injury
- (4) Severe injury
- (5) Critical injury
- (6) Maximum (untreatable)
- (7) Injured, unknown severity

Aspect

- (1) Right
- (2) Left
- (3) Bilateral
- (4) Central
- (5) Anterior
- (6) Posterior
- (7) Superior
- (8) Inferior
- (9) Unknown
- (0) Whole region

OFFICIAL INJURY DATA — SKELETAL INJURIES

Restrained?

No
 Yes

Blood Alcohol Level (mg/dl)

BAL = ϕ

Glasgow Coma Scale Score

GCS =

Units of Blood Given

Units =

Arterial Blood Gases

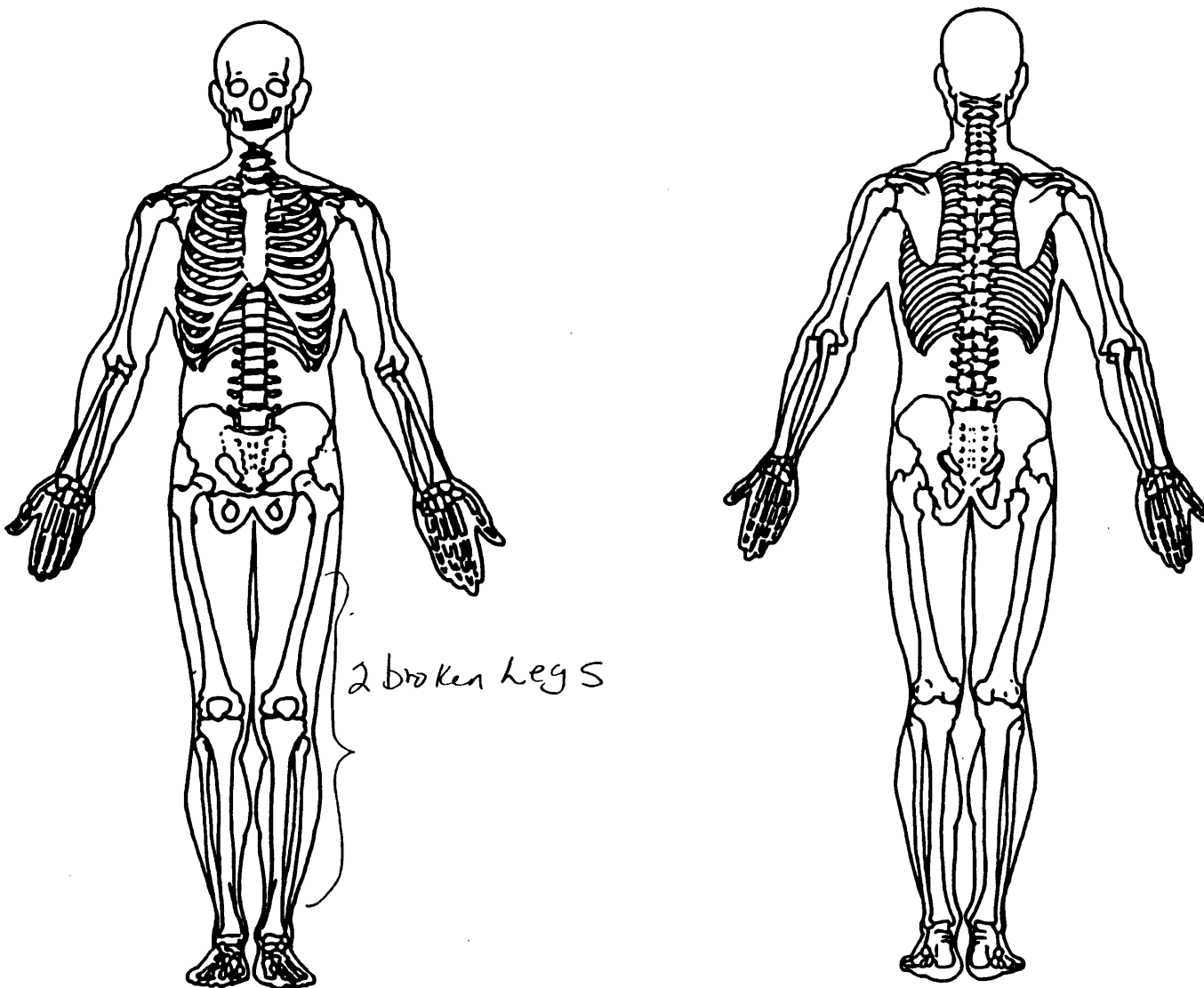
pH =

PO₂ =

PCO₂ =

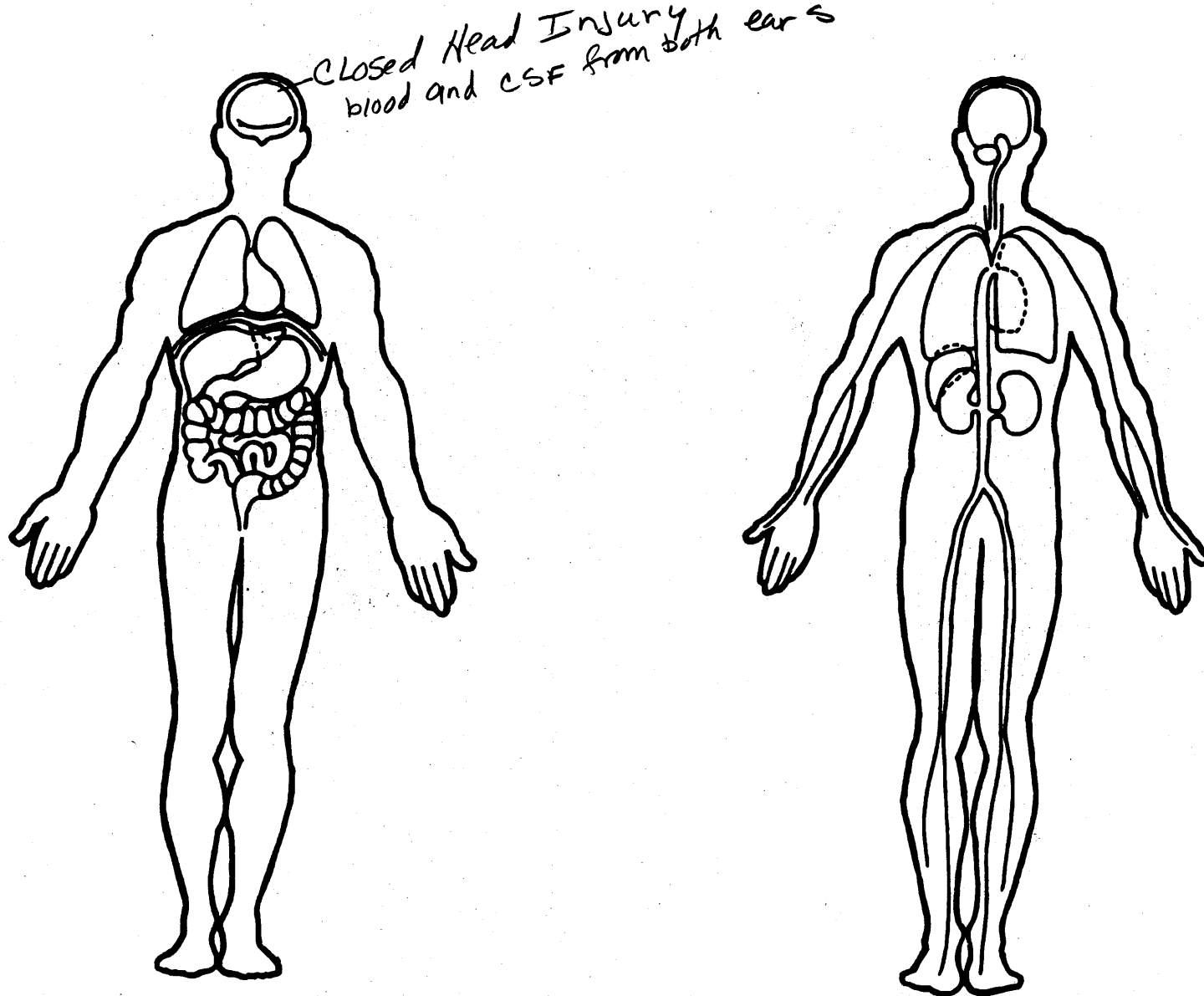
HCO₃ =

Indicate the Location, Specific Anatomic Structure, Detail (size, depth, fracture type, head injury clinical signs and neurological deficits), and Source of all injuries indicated by official sources (or from PAR or other unofficial sources if medical records and interviewee data are unavailable.)



OFFICIAL INJURY DATA — INTERNAL INJURIES

Indicate the Location, Specific Anatomic Structure, Detail (size, depth, fracture type, head injury clinical signs and neurological deficits), and Source of all injuries indicated by official sources (or from PAR or other unofficial sources if medical records and interviewee data are unavailable.)





UPDATE FORM

1. Primary Sampling Unit Number	<u>11</u>	Driver or Occupant Name:
2. Case Number — Stratum	<u>11 2A</u>	Address: _____
3. Vehicle Number	<u>01</u>	_____
4. Occupant Number	<u>01</u>	Other Information: _____
1993	<i>ME Report</i>	
<i>(Sanitize this section prior to Update submission.)</i>		

STATUS OF LOG INJURY INFORMATION

	INITIAL SUBMISSION	UPDATED INFORMATION	OAL18. Medical Facility Code
OAL08. Date Official Medical Data Requested		<u>93</u>	<u>07 07</u>
OAL09. Date Official Medical Data Obtained		<u>93</u>	
OAL16. Injury Treatment Status	___	___	
OAL17. Injury Information			
<u>Official</u>			
a. Autopsy (invasive examination)	<u>B</u> ___	___	
b. Post-ER medical record which includes information about death based on non-invasive examination	<u>B</u> ___	___	
c. Admission record/summary or admission/discharge face sheet	<u>B</u> ___	___	
d. Discharge summary	<u>B</u> ___	___	
e. Operative report	<u>B</u> ___	___	
f. Radiographic record(s) post ER visit	<u>B</u> ___	___	
g. History and physical examination and/or consultation records	<u>B</u> ___	___	
h. Emergency room records	<u>B</u> ___	___	
i. Radiographic record(s) associated with ER visit	<u>B</u> ___	___	
j. Private physician	<u>B</u> ___	___	
<u>Unofficial</u>			
k. Lay coroner	<u>B</u> <u>08</u>	<u>11</u>	
l. EMS record	<u>B</u> ___	___	
m. Interviewee	<u>B</u> <u>11</u>	<u>11</u>	
n. Other source (specify): _____	<u>B</u> ___	<u>B</u> ___	
o. Police report	<u>B</u> ___	<u>B</u> ___	

OCCUPANT RELATED

16. Driver Presence in Vehicle _____
 (0) Driver not present
 (1) Driver present
 (9) Unknown
17. Number of Occupants This Vehicle _____
 (00-96) Code actual number of occupants for this vehicle
 (97) 97 or more
 (99) Unknown
18. Number of Occupant Forms Submitted _____

24. Rollover _____
 (0) No rollover (no overturning)
- Rollover (primarily about the longitudinal axis)*
 (1) Rollover, 1 quarter turn only
 (2) Rollover, 2 quarter turns
 (3) Rollover, 3 quarter turns
 (4) Rollover, 4 or more quarter turns (specify): _____
- (5) Rollover--end-over-end (i.e., primarily about the lateral axis)
 (9) Rollover (overturn), details unknown

VEHICLE WEIGHT ITEMS

19. Vehicle Curb Weight _____ 0
 Code weight to nearest 10 kilograms.
 (045) Less than 450 kilograms
 (610) 6,100 kilograms or more
 (999) Unknown
- _____ lbs X .4536 = _____ kgs
- Source: _____
20. Vehicle Cargo Weight _____ 0
 Code weight to nearest 10 kilograms.
 (000) Less than 5 kilograms
 (450) 4,500 kilograms or more
 (999) Unknown
- _____ lbs X .4536 = _____ kgs

OVERRIDE/UNDERRIDE (THIS VEHICLE)

25. Front Override/Underride (this Vehicle) _____
26. Rear Override/Underride (this Vehicle) _____
- (0) No override/underride, or not an end-to-end impact
- Override (see specific CDC)*
 (1) 1st CDC
 (2) 2nd CDC
 (3) Other not automated CDC (specify): _____
- Underride (see specific CDC)*
 (4) 1st CDC
 (5) 2nd CDC
 (6) Other not automated CDC (specify): _____
- (7) Medium/heavy truck or bus override
 (9) Unknown

RECONSTRUCTION DATA

21. Towed Trailing Unit _____
 (0) No towed unit
 (1) Yes--towed trailing unit
 (9) Unknown
22. Documentation of Trajectory Data for This Vehicle _____
 (0) No
 (1) Yes
23. Post Collision Condition of Tree or Pole (For Highest Delta V) _____
 (0) Not collision (for highest delta V) with tree or pole
 (1) Not damaged
 (2) Cracked/sheared
 (3) Tilted < 45 degrees
 (4) Tilted ≥ 45 degrees
 (5) Uprooted tree
 (6) Separated pole from base
 (7) Pole replaced
 (8) Other (specify): _____
 (9) Unknown

HEADING ANGLE AT IMPACT FOR HIGHEST DELTA V

- Values: (000)-(359) Code actual value
 (997) Noncollision
 (998) Impact with object
 (999) Unknown
27. Heading Angle For This Vehicle 082
28. Heading Angle For Other Vehicle 260

OTHER DATA

56. Driver's Zip Code

- (00000) Driver not present
- (00001) Driver not a resident of U.S. or territories
Code actual 5-digit zip code
- (99999) Unknown

57. Driver's Race/Ethnic Origin

- (0) Driver not present
- (1) White (non-Hispanic)
- (2) Black (non-Hispanic)
- (3) White (Hispanic)
- (4) Black (Hispanic)
- (5) American Indian, Eskimo or Aleut
- (6) Asian or Pacific Islander
- (8) Other (specify): _____
- (9) Unknown

58. Vehicle Special Use (This Trip)

- (0) No special use
- (1) Taxi
- (2) Vehicle used as school bus
- (3) Vehicle used as other bus
- (4) Military
- (5) Police
- (6) Ambulance
- (7) Fire truck or car
- (8) Other (specify): _____
- (9) Unknown

ROLLOVER DATA

If GV07 (Body Type) ≠ 1-49, leave GV59-GV63 blank.
 If GV24 (Rollover) = 0, then GV59-GV63 must equal 0.
 If GV24 = 9, then GV59-GV63 must equal 9.

59. Rollover Initiation Type

- (0) No rollover
- (1) Trip-over
- (2) Flip-over
- (3) Turn-over
- (4) Climb-over
- (5) Fall-over
- (6) Bounce-over
- (7) Collision with another vehicle
- (8) Other rollover initiation type specify): _____
- (9) Unknown rollover initiation type

60. Location of Rollover Initiation

- (0) No rollover
- (1) On roadway
- (2) On shoulder—paved
- (3) On shoulder—unpaved
- (4) On roadside or divided trafficway median
- (9) Unknown

61. Rollover Initiation Object Contacted

62. Location on Vehicle Where Initial Principal Tripping Force Is Applied

- (0) No rollover
- (1) Wheels/tires
- (2) Side plane
- (3) End plane
- (4) Undercarriage
- (5) Other location on vehicle (specify): _____
- (8) Non-contact rollover forces (specify): _____
- (9) Unknown

63. Direction of Initial Roll

- (0) No rollover
- (1) Roll right - primarily about the longitudinal axis
- (2) Roll left - primarily about the longitudinal axis
- (5) End-over-end (i.e., primarily about the lateral axis)
- (9) Unknown roll direction

PRECRASH DATA

64. Pre-Event Movement (Prior to Recognition of Critical Event)

- (01) Going straight
- (02) Slowing or stopping in traffic lane
- (03) Starting in traffic lane
- (04) Stopped in traffic lane
- (05) Passing or overtaking another vehicle
- (06) Disabled or parked in travel lane
- (07) Leaving a parking position
- (08) Entering a parking position
- (09) Turning right
- (10) Turning left
- (11) Making a U-turn
- (12) Backing up (other than for parking position)
- (13) Negotiating a curve
- (14) Changing lanes
- (15) Merging
- (16) Successful avoidance maneuver to a previous critical event
- (97) Other (specify): _____
- (98) No driver present
- (99) Unknown

CODES FOR ROLLOVER INITIATION OBJECT CONTACTED

- (00) No rollover
- (01-30) — Vehicle Number

Noncollision

- (31) Turn-over — fall-over
- (33) Jackknife

Collision With Fixed Object

- (41) Tree (\leq 10 cm in diameter)
- (42) Tree ($>$ 10 cm in diameter)
- (43) Shrubby or bush
- (44) Embankment

- (45) Breakaway pole or post (any diameter)

Nonbreakaway Pole or Post

- (50) Pole or post (\leq 10 cm in diameter)
- (51) Pole or post ($>$ 10 cm but \leq 30 cm in diameter)
- (52) Pole or post ($>$ 30 cm in diameter)
- (53) Pole or post (diameter unknown)

- (54) Concrete traffic barrier
- (55) Impact attenuator
- (56) Other traffic barrier (includes guardrail)
(specify): _____

- (57) Fence
- (58) Wall
- (59) Building
- (60) Ditch or culvert
- (61) Ground
- (62) Fire hydrant
- (63) Curb
- (64) Bridge
- (68) Other fixed object (specify):

- (69) Unknown fixed object

Collision with Nonfixed Object

- (71) Motor vehicle not in-transport
- (76) Animal
- (77) Train
- (78) Trailer, disconnected in transport
- (88) Other nonfixed object (specify):

- (89) Unknown nonfixed object

- (98) Other event (specify):

- (99) Unknown event or object

PSU NUMBER 11
CASE NUMBER 112A
VEHICLE NUMBER 02

EXTERIOR VEHICLE FORM

THE FOLLOWING DATA IS NOT INCLUDED IN THIS CASE:

ENTIRE FORM

PAGE NUMBER (S) _____

PSU NUMBER 11
CASE NUMBER 112A
VEHICLE NUMBER 02

INTERIOR VEHICLE FORM

THE FOLLOWING DATA IS NOT INCLUDED IN THIS CASE:

ENTIRE FORM

PAGE NUMBER (S) _____

PSU NUMBER 11
CASE NUMBER 112A
VEHICLE NUMBER 02
OCCUPANT NUMBER 01

OCCUPANT ASSESSMENT FORM

THE FOLLOWING DATA IS NOT INCLUDED IN THIS CASE:

ENTIRE FORM

PAGE NUMBER (S) _____

PSU NUMBER	<u>11</u>
CASE NUMBER	<u>112A</u>
VEHICLE NUMBER	<u>02</u>
OCCUPANT NUMBER	<u>01</u>

OCCUPANT INJURY FORM

THE FOLLOWING DATA IS NOT INCLUDED IN THIS CASE:

ENTIRE FORM

PAGE NUMBER (S) _____

INTERIOR VEHICLE Vehicle: 1

11

INTRA ERRORS

POSSIBLE HOLED WINDSHIELD. *****
IF CORRECT, NOTIFY YOUR ZONE *****
als 3 or 5 or CONTACT COMPONENT IV23

OCC0541 2 ***** THIS CASE SHOWS A
CC0542 ***** CHECK YOUR DATA AND
CC0543 GLAZING WINDSHIELD IV15 equ
CC0544 equals 3 or 5.

0

OCCUPANT ASSESSMENT Vehicle: 1 Occupant: 1

11

INTRA ERRORS

IS VEHICLE IS INDICATED AS HAVING AN AIRBAG. *****
K YOUR DATA AND IF CORRECT, NOTIFY YOUR ZONE *****
ILABILITY/FUNCTION OA21 equals 1-3.

OHH1281 2 ***** TH
HH1282 ***** CHEC
HH1283 AIR BAG AVA

0

OCCUPANT INJURY Vehicle: 1 Occupant: 1

11

INTRA ERRORS

SE SHOWS A RESTRAINT AS THE INJURY SOURCE *****
FOR AN AIS-2 (OR GREATER) INJURY. *****
R ACCURATE AND COMPLETED DOCUMENTS & DATA *****
I12(n) equals 41, 42, 43 or 45 and A.I.S.
) is greater than 1.

OTT0541 2 ***** THIS CA
TT0542 *****
TT0543 ***** CHECK FO
TT0544 INJURY SOURCE O
TT0545 SEVERITY OI10(n

0

GENERAL VEHICLE Vehicle: 2

11

INTRA ERRORS

s 20, 24, 28, 44, 45, 51, 65, 69, 71,
, then PRE-EVENT MOVEMENT GV64 should

OBG2251 2 If ACCIDENT TYPE GV15 equal
GG2252 73, 77, 79, 81, 83 or 86-89
GG2253 equal 01.

0

PSU11
CASE 112A
CURRENT VERSION: 6.02

ERROR SUMMARY SCREEN

FORM NAME	NUMBER OF DOLLAR SIGNS	NUMBER OF LEVEL 1 ERRORS	NUMBER OF LEVEL 2 ERRORS	VERSION NUMBER CONSISTENT
Accident	0	0	0	Y
General Vehicle	0	0	1	Y
Vehicle Exterior	0	0	0	Y
Vehicle Interior	0	0	1	Y
Occupant Assessment	0	0	1	Y
Occupant Interior	0	0	1	Y
Total Inter Errors		0	0	
Total Case Errors	0	0	4	



PSU 11-112A (1993) #1



PSU 11-112A (1993) #2



PSU 11-112A (1993) #3



PSU 11-112A (1993) #4



PSU 11-112A (1993) #5



PSU 11-112A (1993) #6



PSU 11-112A (1983) #7



PSU 11-112A (1993) #8



PSU 11-112A (1993) #9



PSU 11-112A (1993) #10



PSU 11-112A (1993) #11



PSU 11-112A (1993) #12



PSU 11-112A (1993) #13



PSU 11-112A (1993) #14



PSU 11-112A (1993) #15
Best Available



PSU 11-112A (1993) #16
Best Available



PSU 11-112A (1993) #17
Best Available



PSU 11-112A (1993) #18
Best Available



PSU 11-112A (1993) #19
Best Available



PSU 11-112A (1993) #20

Best Available



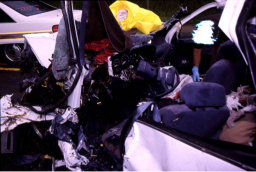
PSU 11-112A (1993) #21
Best Available



PSU 11-112A (1993) #22
Best Available



PSU 11-112A (1993) #23
Best Available



PSU 11-112A (1993) #24
Best Available



PSU 11-112A (1993) #25
Best Available



PSU 11-112A (1993) #26
Best Available



PSU 11-112A (1993) #27
Best Available



PSU 11-112A (1993) #28
Best Available



PSU 11-112A (1993) #29
Best Available



PSU 11-112A (1993) #30
Best Available



PSU 11-112A (1993) #31
Best Available



PSU 11-112A (1993) #32
Best Available



PSU 11-112A (1993) #33
Best Available



PSU 11-112A (1993) #34
Best Available



PSU 11-112A (1993) #35
Best Available



PSU 11-112A (1993) #36



PSU 11-112A (1993) #37



PSU 11-112A (1993) #38
Best Available



PSU 11-112A (1993) #39
Best Available



PSU 11-112A (1993) #40
Best Available

PSU NUMBER

11

CASE NUMBER

112A

SLIDES

THE FOLLOWING SLIDES ARE NOT INCLUDED IN THIS CASE:

SLIDE NUMBER (S) # 41-60



PSU 11-112A (1993) #61
Best Available



PSU 11-112A (1993) #62
Best Available



PSU 11-112A (1993) #63
Best Available



PSU 11-112A (1993) #64
Best Available



PSU 11-112A (1993) #65
Best Available



PSU 11-112A (1993) #66
Best Available



PSU 11-112A (1993) #67
Best Available



PSU 11-112A (1993) #68
Best Available



PSU 11-112A (1993) #69
Best Available



PSU 11-112A (1993) #70
Best Available



PSU 11-112A (1993) #71
Best Available



PSU 11-112A (1993) #72
Best Available



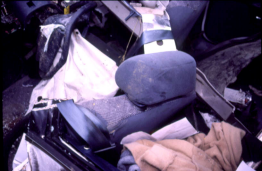
PSU 11-112A (1993) #73
Best Available



PSU 11-112A (1993) #74
Best Available



PSU 11-112A (1993) #75



PSU 11-112A (1993) #76
Best Available



PSU 11-112A (1993) #77