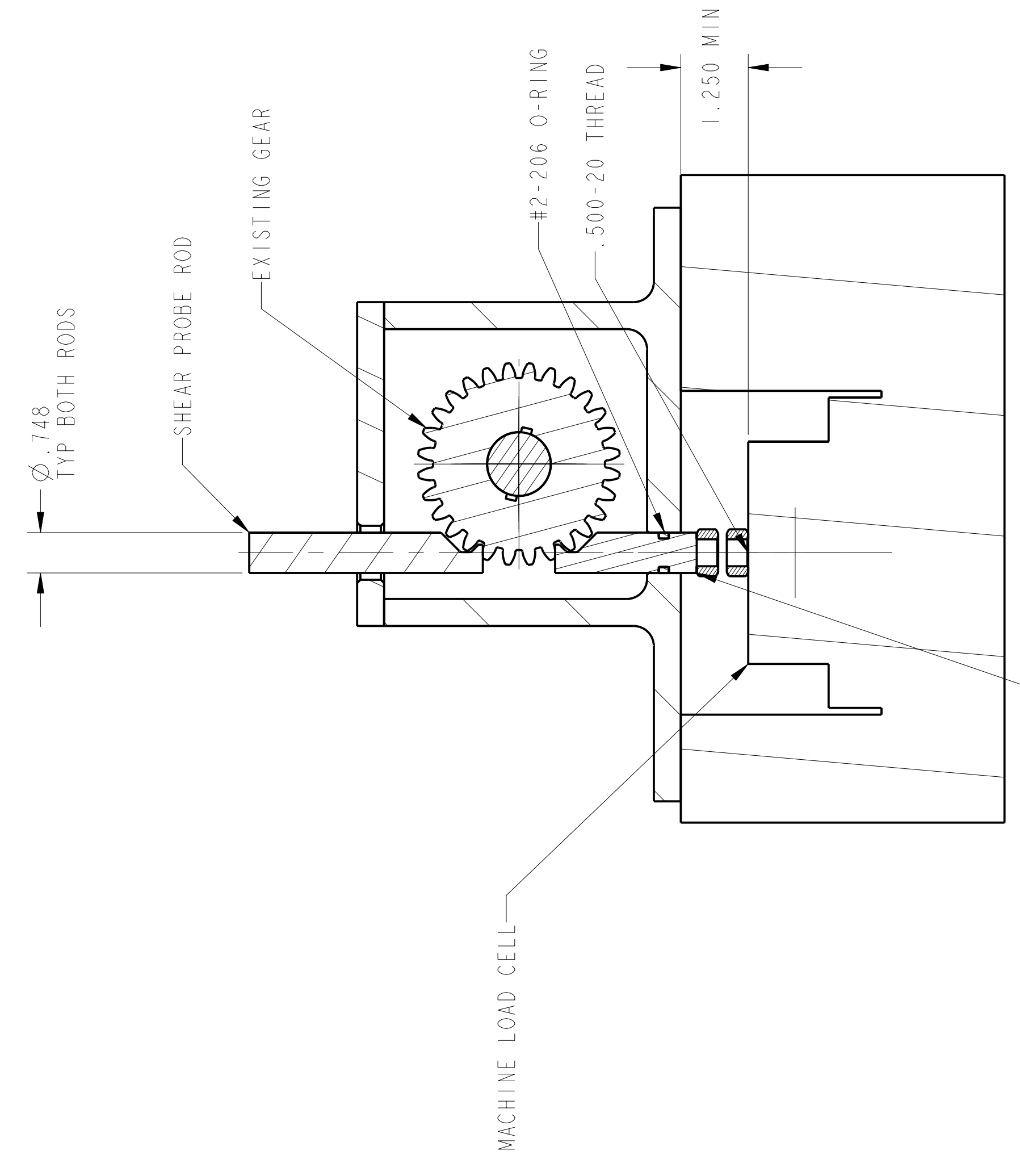
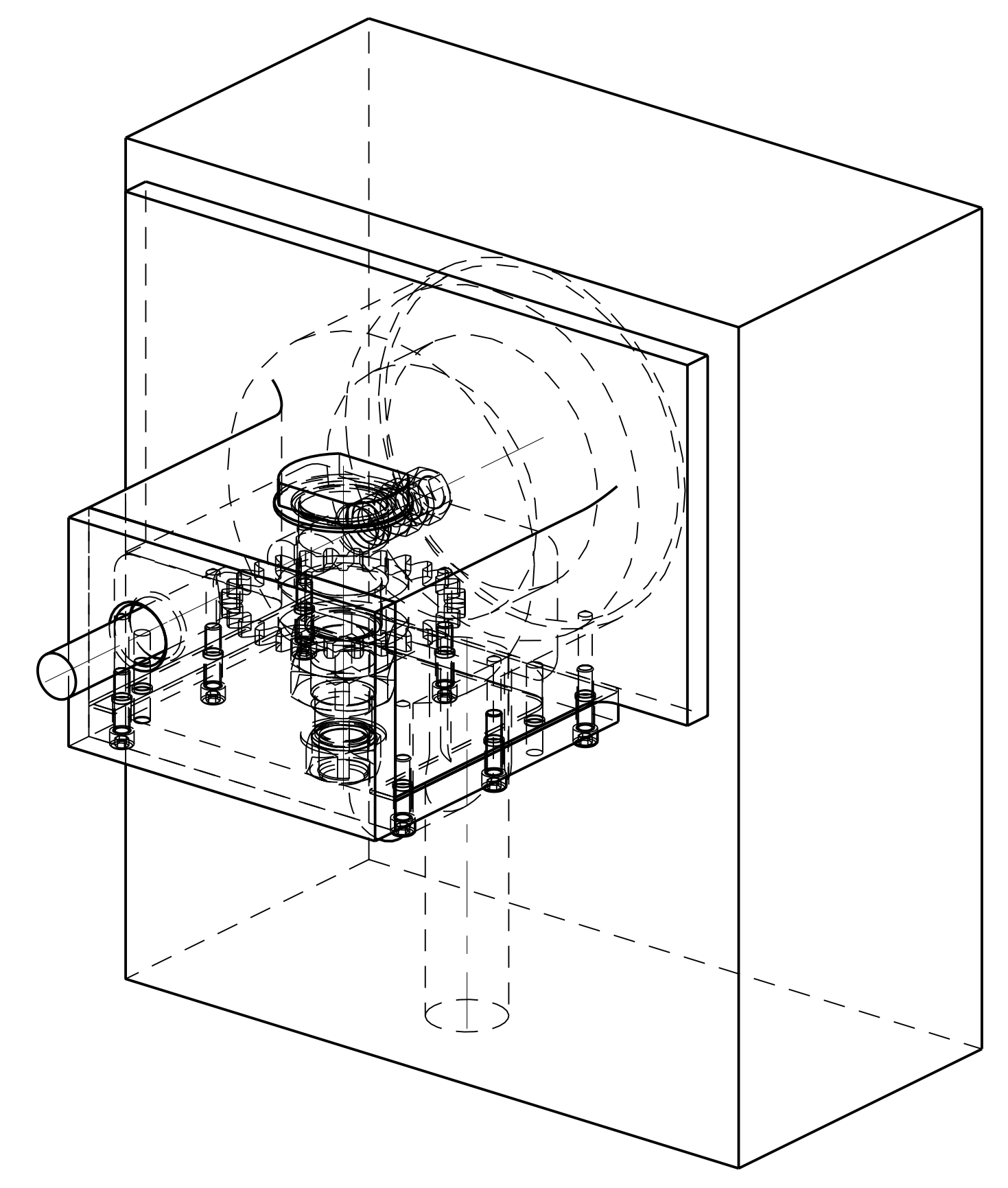
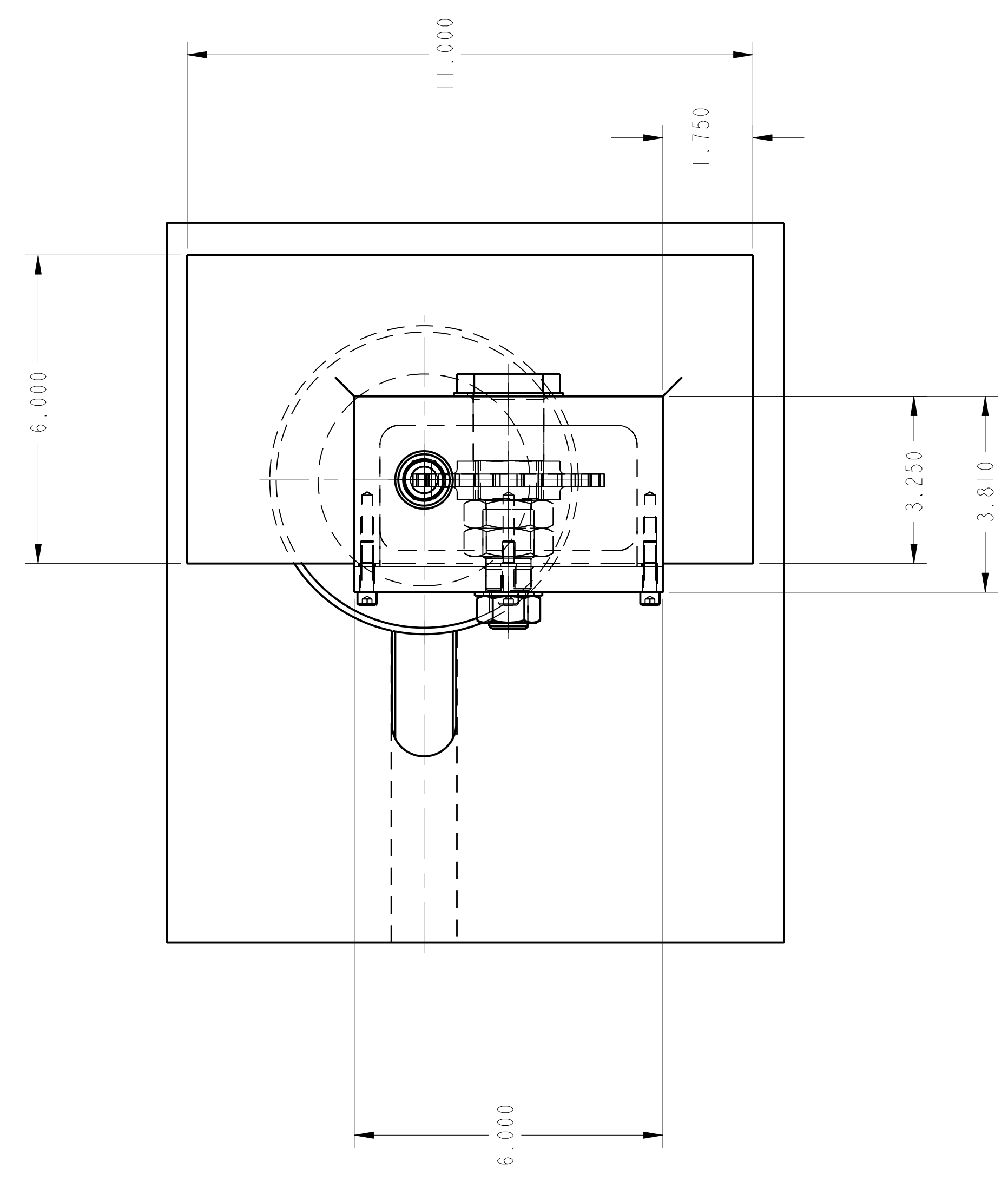
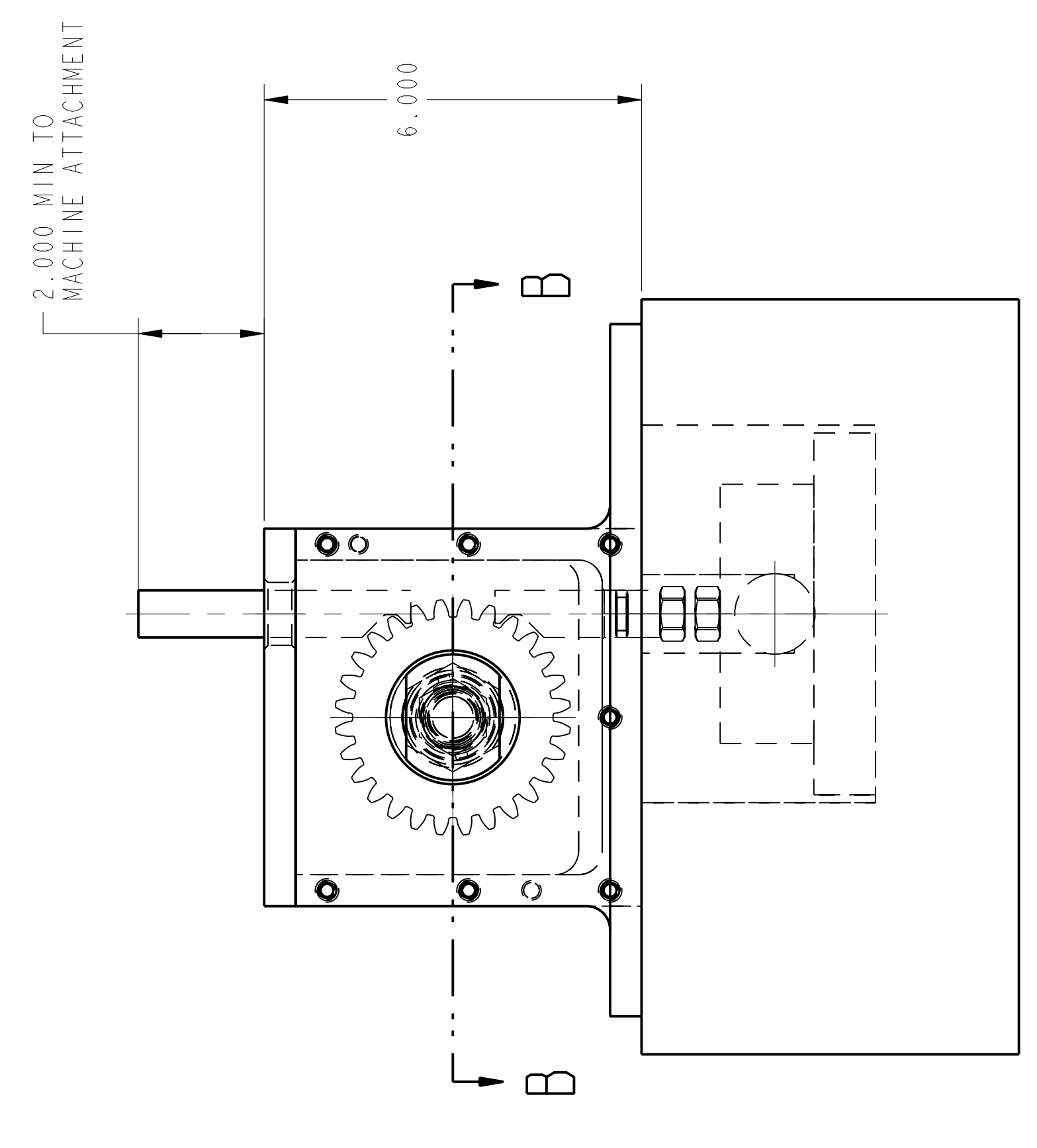
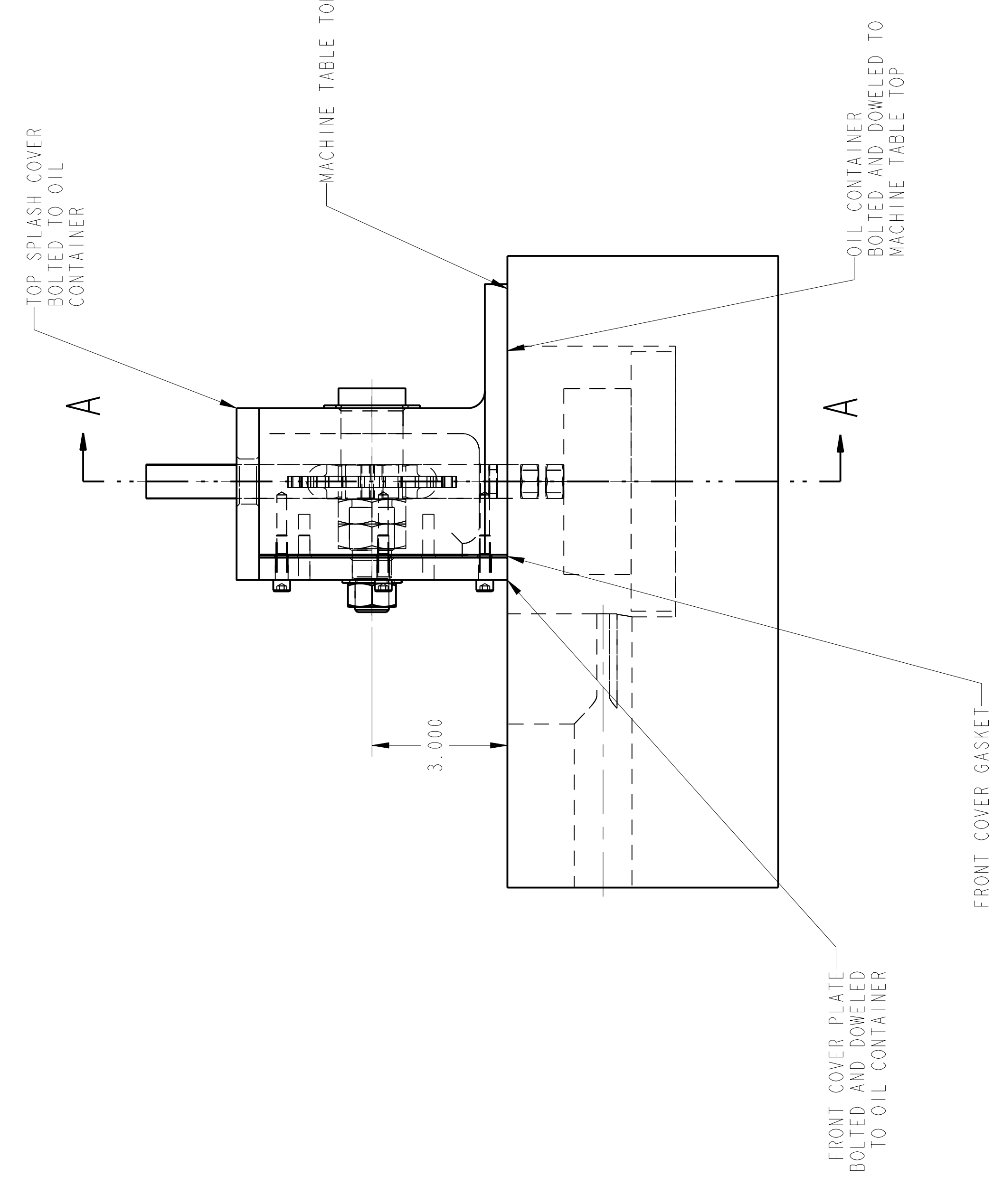


SECTION B - B



SECTION A - A



CHG	ZONE	DESCRIPTION	REV	DATE
		REVISIONS		
		NATIONAL AERONAUTICS AND SPACE ADMINISTRATION JOHN H. GLAVIN RESEARCH CENTER CLEVELAND, OHIO		
INTERFACE DRAWING				
59036-GEAR-TOOTH-TEST_RIG				
XXXXXXXXXXXX				
DRAWING NUMBER				
REVISIONS				
INITIAL REVISION				
SHEET				
SCALE				
DATE				
PROJECT NUMBER				
PROFILE VERSION				

PRIOR TO USE VERIFY THE INTENDED PURPOSE IN PDM (FORM ATTRIBUTES):

UNLESS OTHERWISE SPECIFIED CONTRACT: NAS3-00145
CONTRACTOR: ZIN TECHNOLOGIES

TOLERANCE ON DIMENSIONS ARE IN INCHES

TOLERANCE ON	VALUES
X	± .03
XX	± .01
XXX	± .005
ANGULAR	± .50°
BREAK EDGES	XXX

ENGINEER: ZINR, LANTZ
DESIGNER: ZINIG, LONG

DIMENSIONING AND TOLERANCING PER ASME Y14.5M-1994

PDM REL LEVEL: PDM REVISION:

PDM DATABASE: 59036-GEAR-TOOTH-TEST_RIG
MODEL NAME: 59036-GEAR-TOOTH-TEST_RIG