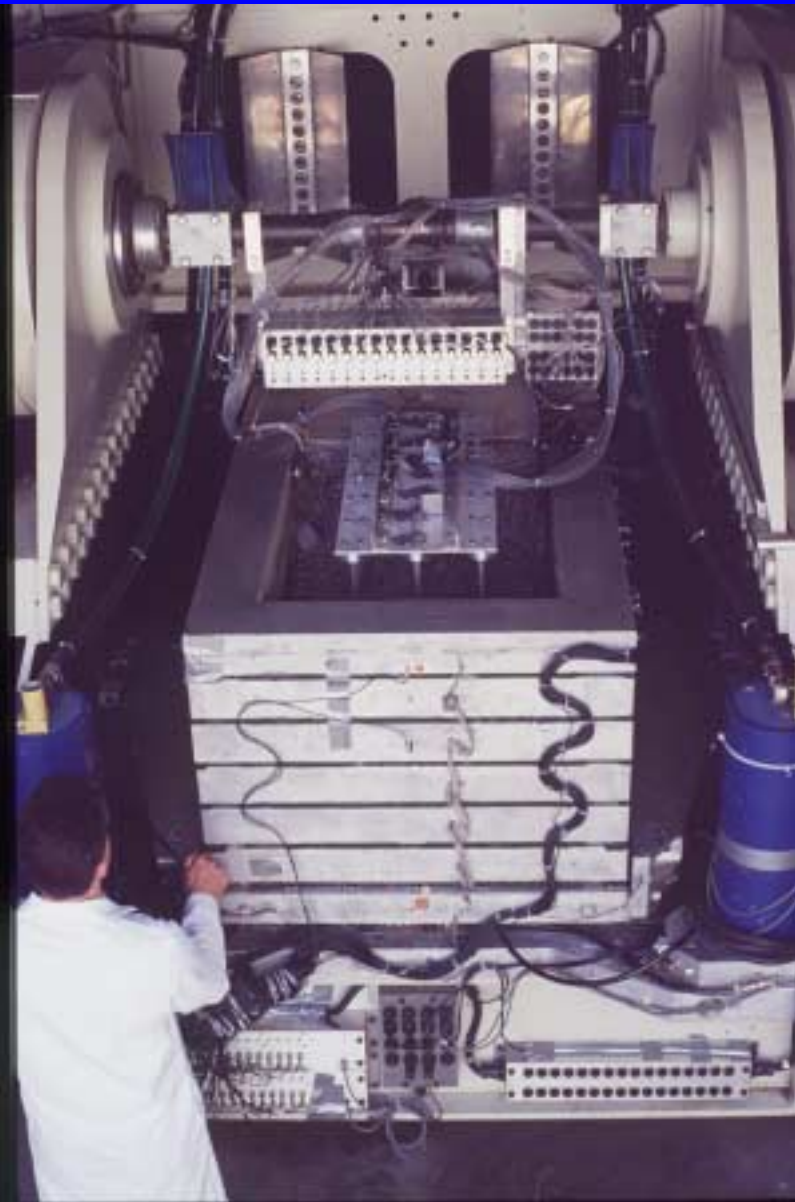


A NEES Geotechnical Centrifuge Facility at Davis

Presentation by Bruce L. Kutter

February 22, 2001

NSF - NEES Awardees Meeting

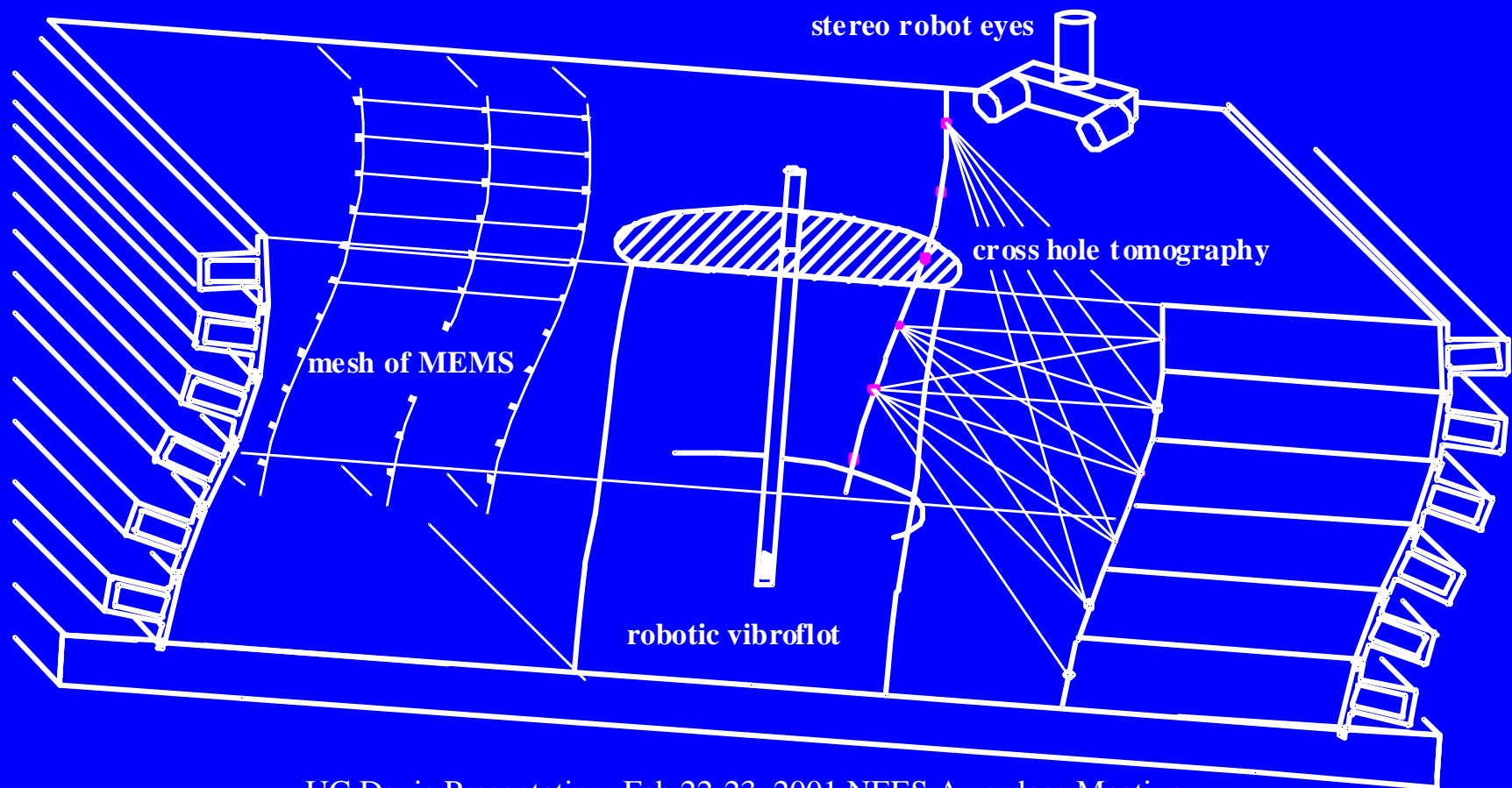


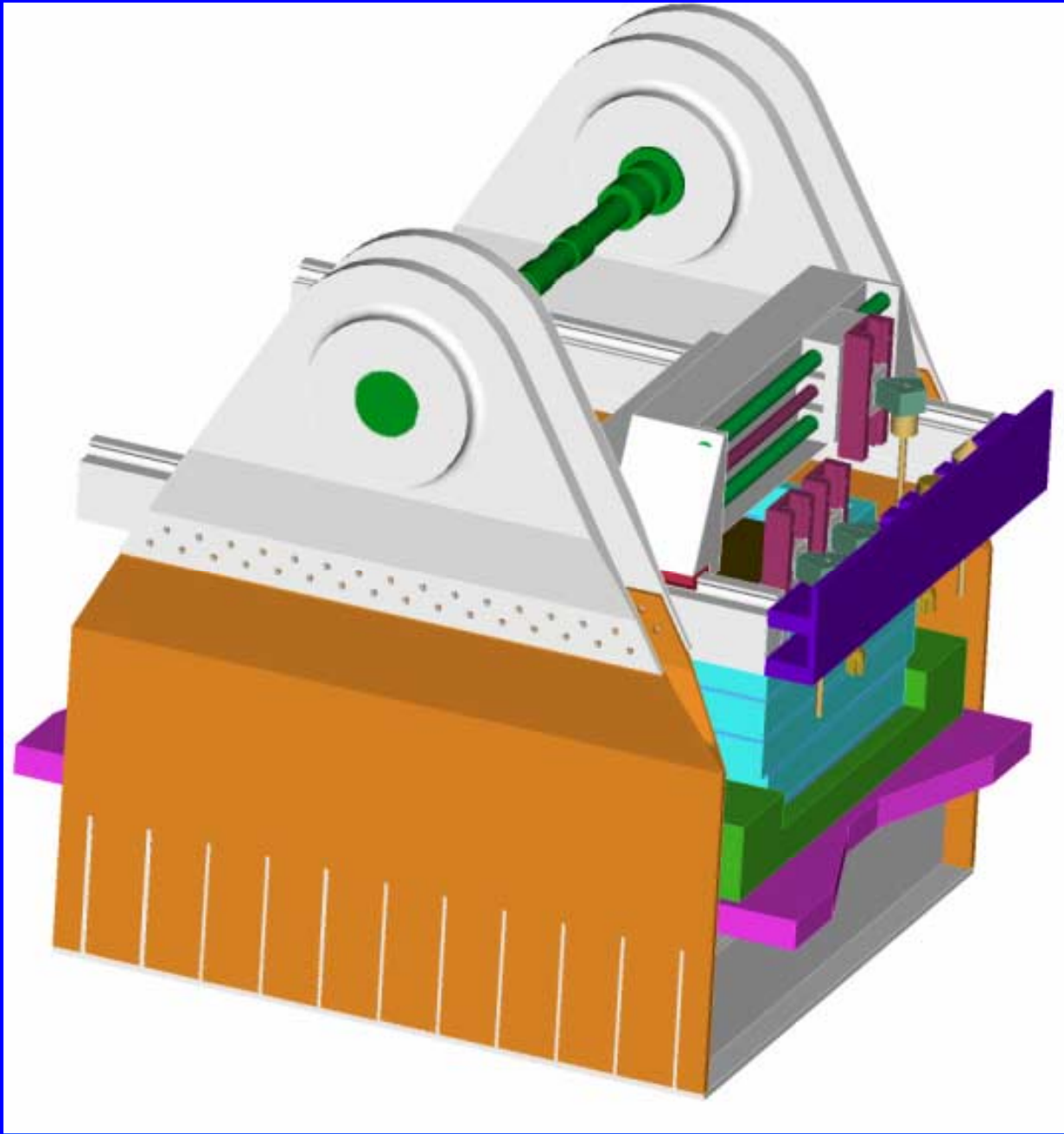
Above: FSB1 container mounted on centrifuge shaker. A rigid container with windows is on the floor.

Left: Model of pile supported wharf deck tested by researchers from Oregon State University (PI: Steve Dickenson). This work was supported in part by the Earthquake Engineering Research Centers Program of the National Science Foundation under Award Number EEC-9701568.

UCD Proposal items: Hinged container, Robot tools, Tomography and Mesh of MEMS.

Research topic: Soil improvement to mitigate liquefaction effects - how much, how far?





UC Davis Presentation: Feb 22-23, 2001 NEES Awardees Meeting

UC Davis Presentation: Feb 22-23, 2001 NEES Awardees Meeting